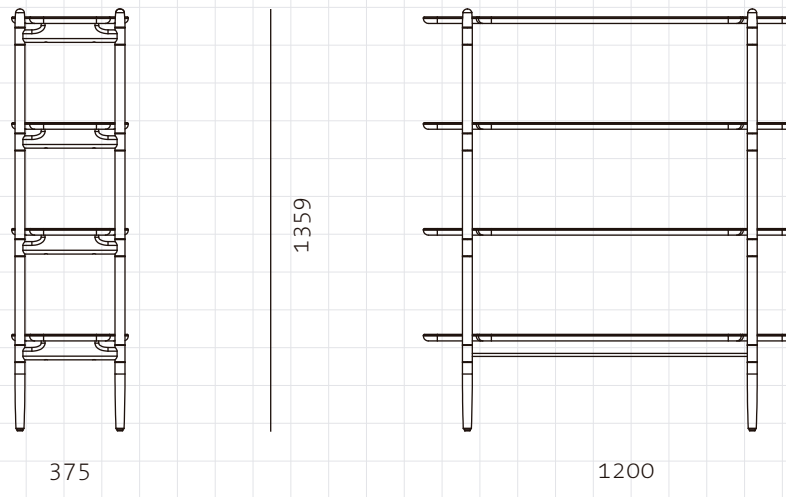


Slow Shelf 4



CODE
DIMENSIONS

SL-SF110-4
 W1200 x D375 x H1359mm

NET WEIGHT
ENVIRONMENT
MATERIALS

28.0 kg
 Indoor
 Solid wood frame, veneer laminate shelves, stainless steel oil rubbed copper
 *Please refer to website or contact your local representative for complete material swatches.

SHIPPING

Package	Knock Down		
Package Qty	1 pcs/box		
Packaging	Measurement (mm)	Volume (cbm)	Gross Weight (kg)
FCL	W1300 x D440 x H365	0.21	31.35
LCL/AIR	W1340 x D480 x H455	0.29	38.82