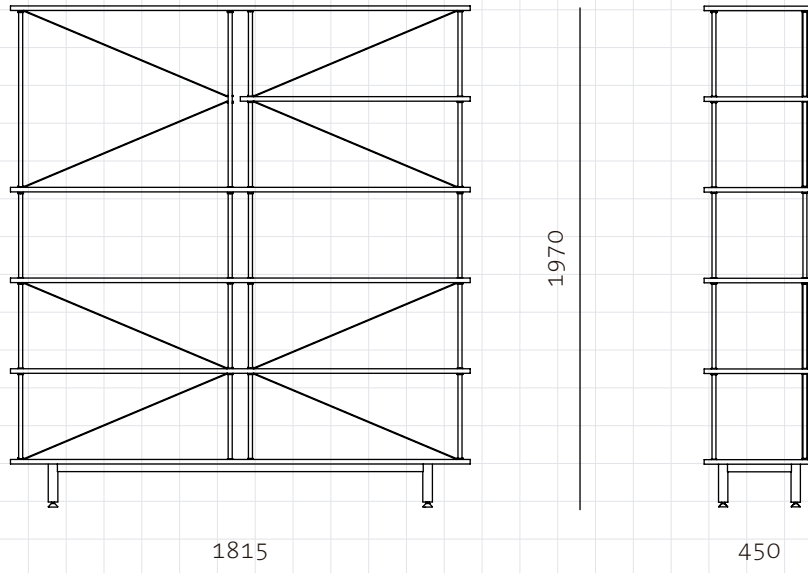


Seiton 5-1 R



**CODE**

SE-SF151-R

**DIMENSIONS**

W1815 x D450 x H1970mm

**NET WEIGHT**

70.0 kg

**ENVIRONMENT**

Indoor

**MATERIALS**

Steel black powder coat matt, veneer laminate shelves

\*Please refer to website or contact your local representative for complete material swatches.

**SHIPPING**

Package	Measurement (mm)	Volume (cbm)	Gross Weight (kg)
KD			
Package Qty	1 pcs/box		
Packaging			
FCL	W1915 x D550 x H250	0.26	74.33
LCL/AIR	W1955 x D590 x H340	0.39	87.73