



SCARLET
SPLENDOUR

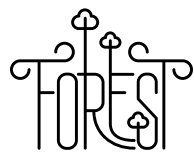
PAW JAR



Paw Jar, a delightful object from the Forest collection, has an intricate brass and resin inlay in blue and pink with a leafy lid.

recommended use In a residence, hotel, commercial space

collection



designer

Marcantonio

description

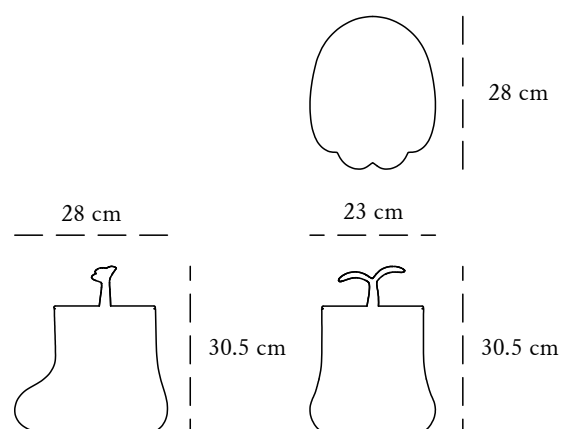
Accessories

dimension

Width 23 cm,
Depth 28 cm,
Height 30.5 cm

material

Nautical Resin, Brass



CARE Wipe gently with dry soft cloth. In case of spillage of water wipe immediately. A premium liquid wax may be used occasionally to refresh the high gloss.

Each piece in the Forest collection exalts the handmade, the painstakingly crafted, the authentic. A piece may have slight variations and tiny imperfections but these are the marks of an artisan, a testament to the individuality of each work of art. It is our belief that these variations infuse our objets d'art with desire and we assert our right to make necessary qualitative changes.