

101

C O P E N H A G E N



PILLAR COFFEE TABLE TALL

Inspired by the rich lustrous use of material in the 1930s Art Deco movement, the Pillar coffee table is a piece of statement furniture characterized by the contrast between a paper-thin tabletop and voluminous base.

The Pillar coffee table comes in a tall and a low version, made of plated metal in two colours - brass and burned black - ensuring a sophisticated appearance that will be a unique addition to any home.

The curved exterior makes this table great for classic and contemporary interiors alike.

Designed by Kristian Sofus Hansen & Tommy Hyldahl.

Product no: 201026

Type: Coffee Table - Indoor

Designer / Year of design:
Kristian Sofus Hansen & Tommy Hyldahl, 2017

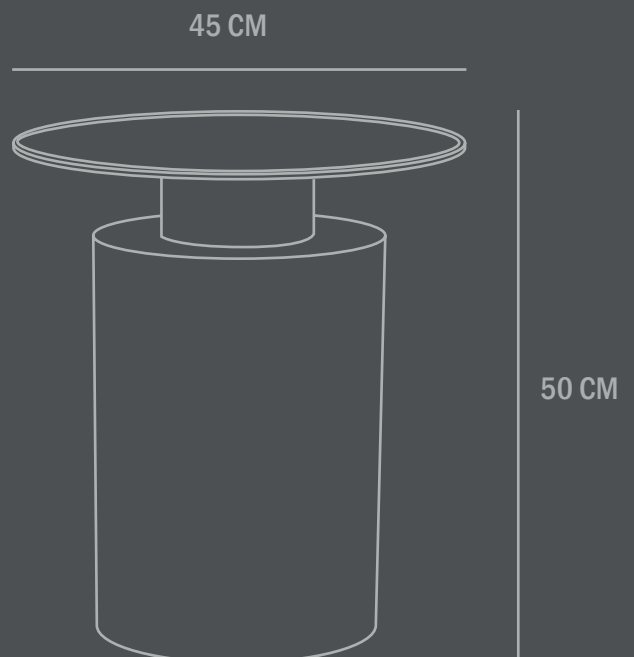
Colour: Burned Black
Material: Plated Metal

Care instructions:
Use a soft dry cloth to clean the product.
Do not use household cleaners.

Dimensions: L45 / W45 / H50 CM
Country of origin: CN

Product weight: 8 Kgs

Packaging:
Dimensions: L54 / W54 / H60 CM
Total weight incl. product: 10,20 Kgs
Number of parcels: 1
Material: Brown cardboard



101

C O P E N H A G E N

PILLAR COFFEE TABLE TALL

Inspired by the rich lustrous use of material in the 1930s Art Deco movement, the Pillar coffee table is a piece of statement furniture characterized by the contrast between a paper-thin tabletop and voluminous base.

The Pillar coffee table comes in a tall and a low version, made of plated metal in two colours - brass and burned black - ensuring a sophisticated appearance that will be a unique addition to any home.

The curved exterior makes this table great for classic and contemporary interiors alike.

Designed by Kristian Sofus Hansen & Tommy Hyldahl.



Product no: 201024

Type: Coffee Table - Indoor

Designer / Year of design:
Kristian Sofus Hansen & Tommy Hyldahl, 2017

Colour: Brass
Material: Plated Metal

Care instructions:
Use a soft dry cloth to clean the product.
Do not use household cleaners.

Dimensions: L45 / W45 / H50 CM

Country of origin: CN

Product weight: 8 Kgs

Packaging:
Dimensions: L54 / W54 / H60 CM
Total weight incl. product: 10,20 Kgs
Number of parcels: 1
Material: Brown cardboard

