



Limited edition

PIETRA OVAL

DINNING TABLE

Playing with function and sculptural form, Pietra dining table shapes a timeless experience through its classical aura reminding the renaissance era and finest Estremoz white marble. Its oval top gently lies in three robust marble columns, each one conceived from solid blocks hand-sculpted and turned to create different details for additional texture. A noble material carved in Boca do Lobo workshops, conceiving a soulful statement dining table ideal for elegant and refined dining rooms. Ideal for eight seats, the contemporary feel of Pietra is effortlessly stylish and it can be used for indoor.

Product Features

White round table made of white exquisite marble. Two detailed pedestal bases in turned marble.

Arts and Techniques

Turned marble.

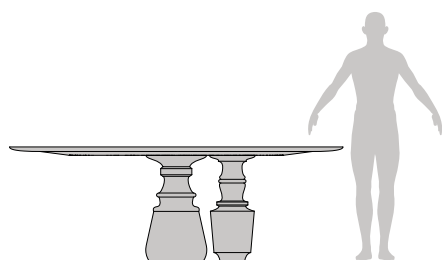
Materials and Finishes

Marble.

TECHNICAL INFO

DIMENSIONS

Width: 220 cm (86.6 in.)
Depth: 109.5 cm (43.1 in.)
Height: 76.5 cm (30.1 in.)



EXPLORE MORE



. WEBSITE .



. CATALOGS .



. FINISHES .

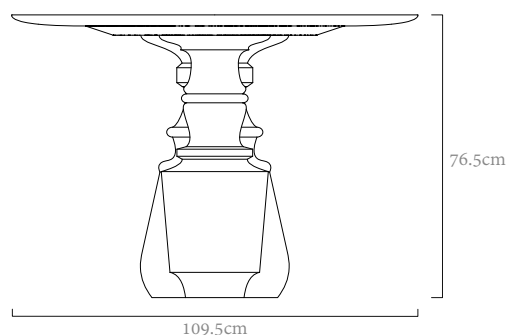
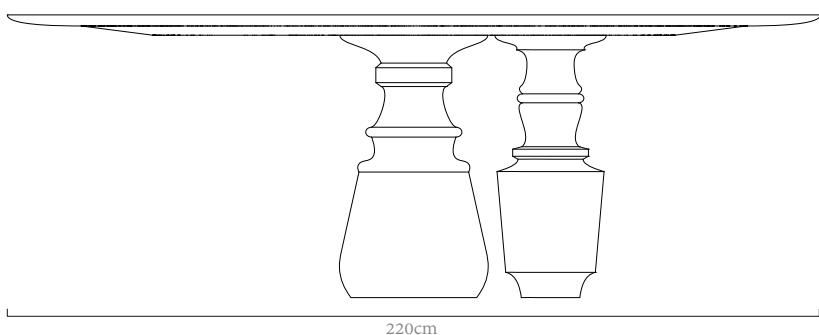
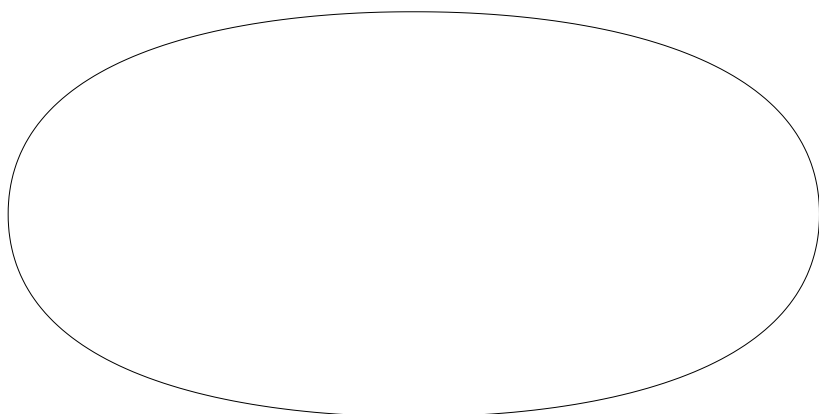


. PRESS EDITORIAL .



. VIDEOS .

+351 910 936 335
+351 224 887 170
Info@bocadolobo.com



Limited edition
PIETRA OVAL

DINNING TABLE

MATERIALS & FINISHES

STANDARD



CARRARA MARBLE



WHITE LACQUERED
WOOD

Custom colors and finishes are available with an upcharge.
Please contact info@bocadolobo.com