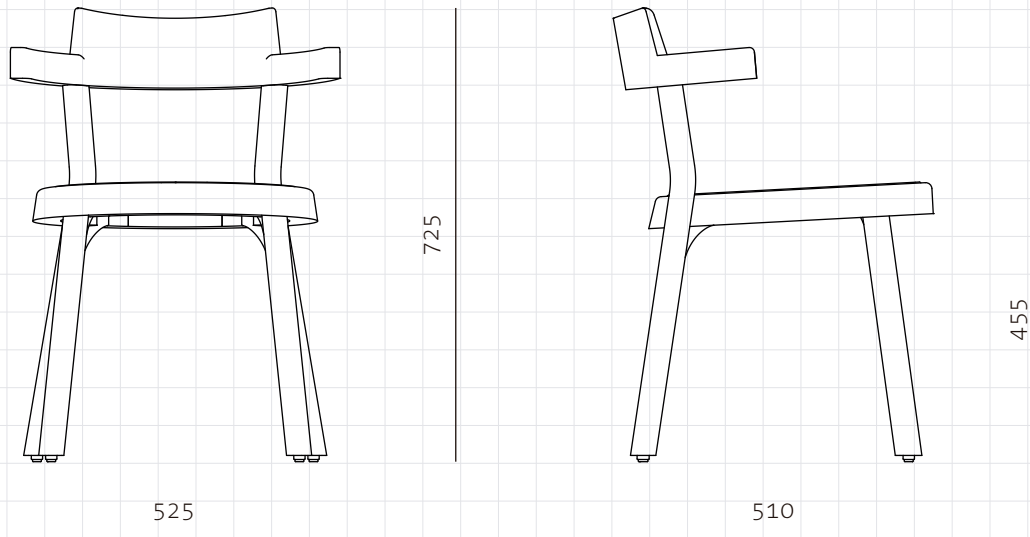


Pagoda Chair Cane - Aluminum Leg Gold



CODE
DIMENSIONS

PA-S220-AL2
W525 x D510 x H725mm
Seating height: 455mm

NET WEIGHT
ENVIRONMENT
MATERIALS

5.5 kg
Indoor
Solid wood frame, cane, aluminum alloy
*Please refer to website or contact your local representative for complete material swatches.

SHIPPING

Package	Assembled		
Package Qty	1 pcs/box		
Packaging	Measurement (mm)	Volume (cbm)	Gross Weight (kg)
FCL	W705 x D567 x H155	0.06	7.05
LCL/AIR	W745 x D607 x H245	0.11	12.31