

ARCH BY MARKUS JOHANSSON & JOHAN LINDSTEN,
BLOCKCHAIN & CIRDATA BY MARKUS JOHANSSON,
BALANCE BY VICTOR CASTANERA, MONDO BY ANTONIO
FACCO, TRAPEZE BY JETTE SCHEIB, NOTIC & STAIR BY
NOTCHI ARCHITECTS, HELIOS BY JOAKIM THEDIN,
LIGHTBONE BY FÄRG & BLANCHE, INSIDE 2.0
BY MORTEN & JONAS

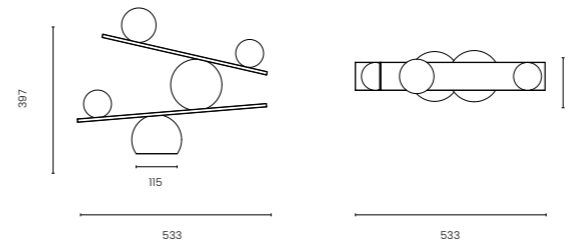
2024 / 2025

TECHNICAL SPECIFICATIONS

oblure

SWEDEN

TECHNICAL SPECIFICATIONS






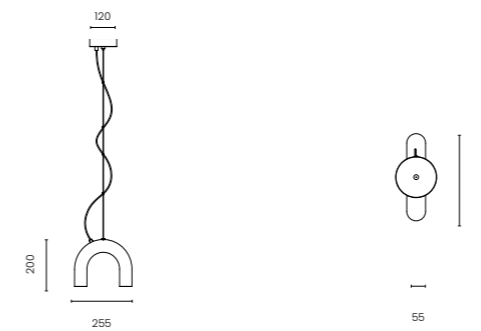
Balance Table Lamp (2016) P. 40

Victor Castanera (Spain)

Description: Table lamp in steel with two opal glass. Glossy black paint (Black) and plated brass (Brass). With interchangeable multi wall plug adapter for multi country use.

Environment: Indoor
 Watt: 5,5 w (3,5w + 2w)
 Measurements: 397 mm (H), 533 mm (L), 140 mm (W)
 Cord: 180 cm
 LED info*: Custom LED (included and replaceable)
 CCT 2700K, dimmable, CRI 90, 50.000h

Colors:	Black	VCBA1003	
	Brass	VCBA1010	
	Chrome	VCBA1011	








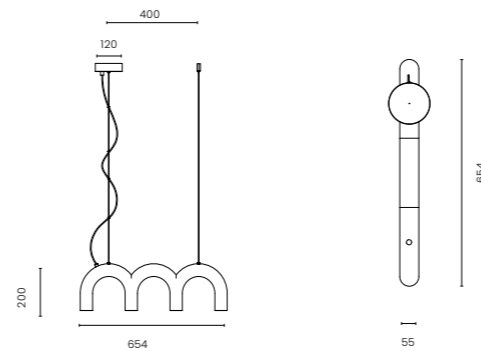
Arch Single Pendant (2021) P. 48

Johan Lindsten (Sweden), Markus Johansson (Sweden)

Description: Pendant lamp in steel, bent and welded by hand. Each pillar is equipped with GU10 sockets. The lamp suspension details are in chrome finish, as well as the ceiling canopy. Suspension wires are adjustable with a griplock® and power cable in transparent cover.

Environment: Indoor
 Watt: max 2 x 20 W (LED)
 Measurements: 200 mm (H), 255 mm (L), 55mm (W)
 Cord: 300 cm
 Fitting: GU10 (PAR16 Light bulb not included)

Colors:	White	MJAR2001.S	
	Black	MJAR2003.S	
	Blue	MJAR2006.S	
	Nude	MJAR2008.S	
	Custom	MJAR2000.SXX	




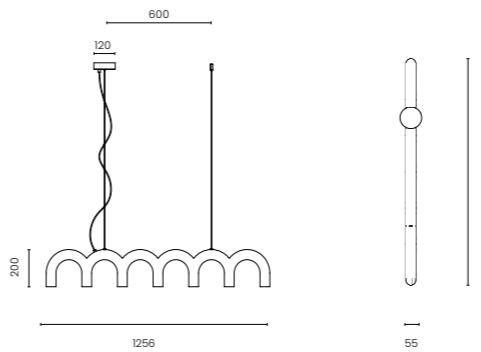
Arch Triplette Pendant (2021) P. 48

Johan Lindsten (Sweden), Markus Johansson (Sweden)

Description: Pendant lamp in steel, bent and welded by hand. Each four pillars are equipped with a GU10 socket. Suspension fittings are in chrome finish, as well as the ceiling canopy. Suspension wires are adjustable with an griplock® and power cable in transparent cover.

Environment: Indoor
 Watt: max 4 x 20 W (LED)
 Measurements: 235 mm (H), 654 mm (L), 55 mm (W)
 Cord: 300 cm
 Fitting: GU10 (PAR16 Light bulb not included)

Colors:	White	MJAR2001.T	
	Black	MJAR2003.T	
	Blue	MJAR2006.T	
	Nude	MJAR2008.T	
	Custom	MJAR2000.TXX	








Arch Straight Pendant (2021) P. 43

Johan Lindsten (Sweden), Markus Johansson (Sweden)

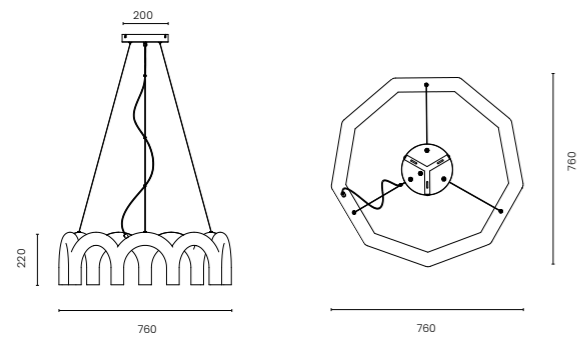
Description: Pendant lamp in steel, bent and welded by hand. Each seven pillars equipped with GU10 sockets. The lamp suspension details are in chrome finish, as well as the ceiling canopy. Suspension wires are adjustable with a griplock® and power cable in transparent cover.

Environment: Indoor
 Watt: max 7 x 20 W (LED)
 Measurements: 200 mm (H), 1256 mm (L), 55mm (W)
 Cord: 300 cm
 Fitting: GU10 (PAR16 Light bulb not included)

Colors:	White	MJAR2001	
	Black	MJAR2003	
	Blue	MJAR2006	
	Nude	MJAR2008	
	Custom	MJAR2000.XX	



LED info*: Updated and detailed information, please see product sheet or website.



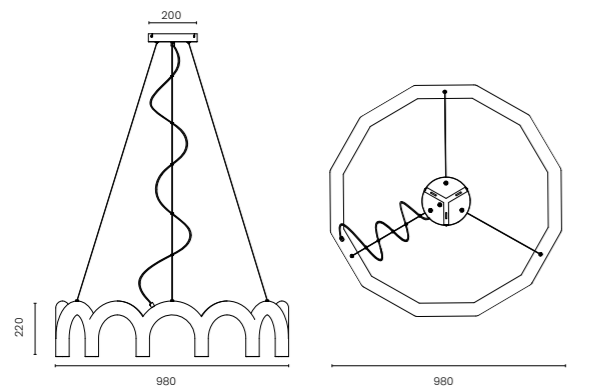
Arch Circle 760 (2021) P. 53

Johan Lindsten (Sweden), Markus Johansson (Sweden)

Description: Circle pendant lamp in steel, bent and welded by hand. Each nine pillars are equipped with a GU10 socket. Suspension fittings are in chrome finish, as well as the ceiling canopy. Suspension wires are adjustable with a griplock® and power cable in transparent cover.

Environment: Indoor
Watt: max 9 x 20 W (LED)
Measurements: 220 mm (H), 760 mm (Ø)
Cord: 300 cm
Fitting: GU10 (PAR16 Light bulb not included)

Colors: White MJAR2001.C1 ●
Black MJAR2003.C1 ●
Blue MJAR2006.C1 ●
Nude MJAR2008.C1 ●
Custom MJAR2000.C1.XX ●



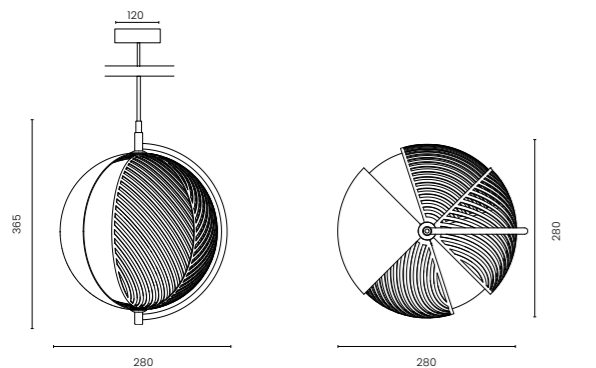
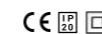
Arch Circle 980 (2021) P. 52

Johan Lindsten (Sweden), Markus Johansson (Sweden)

Description: Pendant lamp in steel, bent and welded by hand. Each eleven pillars are equipped with a GU10 socket. Suspension fittings are in chrome finish, as well as the ceiling canopy. Suspension wires are adjustable with a griplock® and power cable in transparent cover.

Environment: Indoor
Watt: max 11 x 20 W (LED)
Measurements: 220 mm (H), 980 mm (Ø)
Cord: 300 cm
Fitting: GU10 (PAR16 Light bulb not included)

Colors: White MJAR2001.C2 ●
Black MJAR2003.C2 ●
Blue MJAR2006.C2 ●
Nude MJAR2008.C2 ●
Custom MJAR2000.C2.XX ●



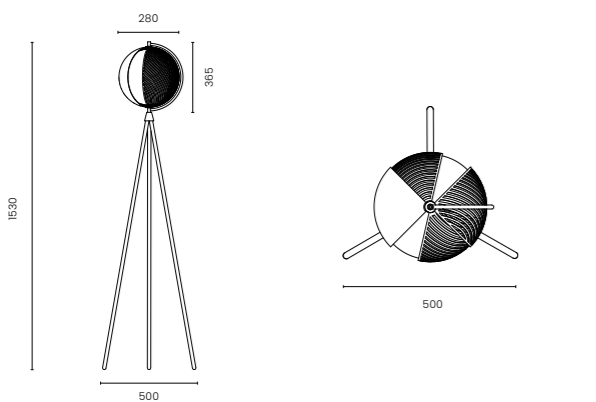
Mondo Pendant (2018) P. 57

Antonio Facco (Italy)

Description: Steel and opal glass. Pendant lamp with four metal shades, mounted in pairs. Allows the beholder to interact with the lamp.

Environment: Indoor
Watt: Max 40w
Measurements: 365 mm (H), 280 mm (Ø)
Cord: 300cm
Fitting: E27 (Light bulb not included)

Colors: Black AFMO2003 ●



Mondo Floor (2018) P. 58

Antonio Facco (Italy)

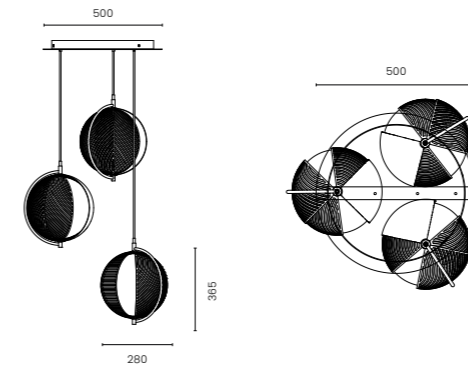
Description: Floor lamp with four metal shades, mounted in pairs. Allows the beholder to interact with the lamp. Cable with on-off switch.

Environment: Indoor
Watt: Max 40w
Measurements: 365 mm (H), 280 mm (Ø)
(Shade/glass) 1530 mm (H), 500 mm (Ø)
(Height/base)
Cord: 180cm
Fitting: E27 (Light bulb not included)

Colors: Black AFMO3003 ●



LED info*: Updated and detailed information, please see product sheet or website.



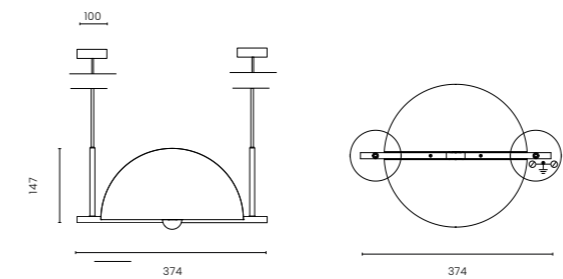
Mondo Triplette (2018) P. 62

Antonio Facco (Italy)

Description: Configuration of three Mondo pendants. The movable shades allow the beholder to interact with the lamp. Finished with matt Black paint.

Environment: Indoor
Watt: Max 3 x 40 W
Measurements: Each lamp: 365 mm (H), 280 mm (Ø), Canopy: 500 mm (Ø), 38 mm (H)
Cord: 300cm
Fitting: E27 (Light bulb not included)

Colors: Black AFMO2003-X3 ●



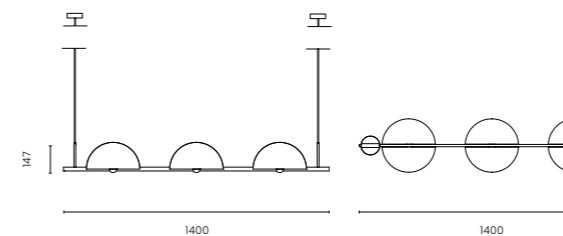
Trapeze Pendant (2018) P. 65

Jette Scheib (Germany)

Description: Steel with acrylic diffuser. Pendant lamp providing light in two different directions at the same time. Rotate each shade individual. Ceiling cup with textile cable (1 electric terminal block).

Environment: Indoor
Watt: Max 2 x 20 W
Measurements: 374mm (H), 281 mm (W), 147 mm (H)
Cord: 300cm
Fitting: 2 x E14 (Light bulb not included)

Colors: Black JSTR2003 ●



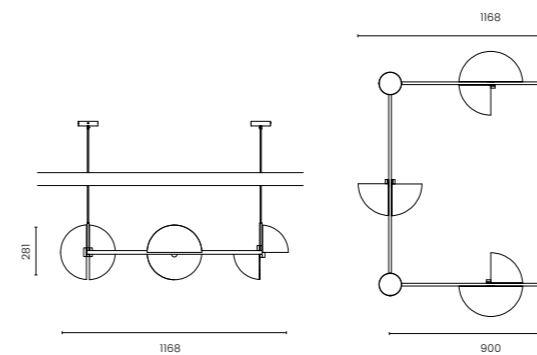
Trapeze Triplette (2018) P. 66

Jette Scheib (Germany)

Description: Steel with acrylic diffuser. Pendant lamp providing light in six directions at the same time. Rotate each shade individual. Ceiling cups with textile cable (1 electric terminal block).

Environment: Indoor
Watt: Max 6 x 20 w
Measurements: 1400 mm (L) x 281 mm (W) x 147 mm (H)
Cord: 300cm
Fitting: 6 x E14 (Light bulb not included)

Colors: Black JSTR2003-X3 ●



Trapeze Quartette (2018) P. 69

Jette Scheib (Germany)

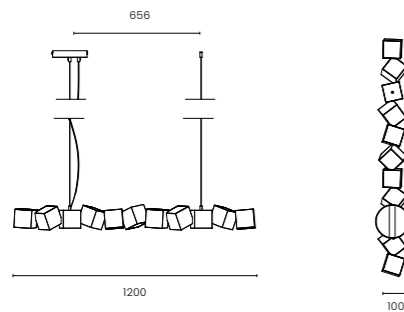
Description: Steel with acrylic diffuser. Pendant lamp providing light in eight directions at the same time. Rotate each shade individual. Ceiling cups with textile cable (1 electric terminal block).

Environment: Indoor
Watt: Max 8 x 20 w
Measurements: 900 mm tube. 1168mm total length x 281 mm (H)
Cord: 300cm
Fitting: 8 x E14 (Light bulb not included)

Colors: Black JSTR2003-X4 ●



LED info*: Updated and detailed information, please see product sheet or website.



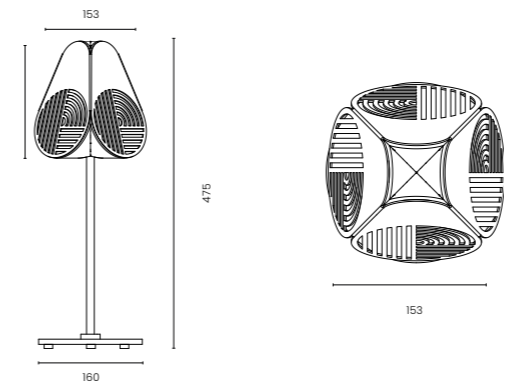
Blockchain 11 (2019) P. 5

Markus Johansson (Sweden)

Description: Pendant lamp providing downlight from every second cubes. Dimmable LED driver (trailing edge) is provided and fitted in the canopy. Steel wire suspensions and transparent cable.

Environment: Indoor
 Watt: 6 x 5 W
 Measurements: 1200 mm (L), 100 mm (W), 100 mm (H)
 Cord: 300 cm
 LED info:* LED (replacable-spare part)
 lm output 2400 lm , CCT 3000K, SDCM 3, CRI 90, L90>100.000h, Driver: Pushdim, DALI

Colors: Black MJBL2003-X11 ●
 Blue MJBL2006-X11 ●



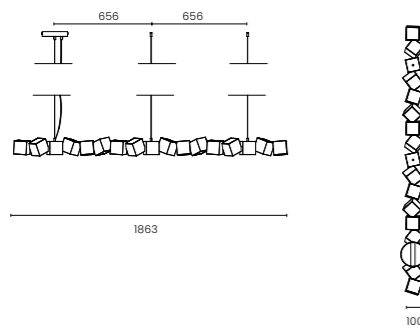
Notch Table Lamp (2019) P. 82

Notchi (Sweden)

Description: Table lamp in patterned steel and casted opal glass. Complex geometry, textile cord.

Environment: Indoor
 Watt: Max 25 W
 Measurements: 475 mm (H), 153 mm (W), 153 mm (D)
 Cord: 2100 mm
 Fitting: G9 (Light bulb not included)

Colors: Black BSNO1003 ●



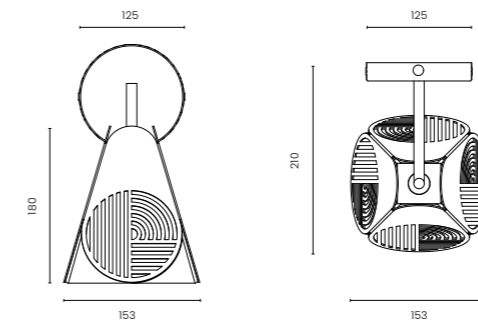
Blockchain 17 (2019) P.8

Markus Johansson, Sweden

Description: Pendant lamp providing downlight from every second cubes. Dimmable LED driver (trailing edge) is provided and fitted in the canopy. Steel wire suspensions and transparent cable.

Environment: Indoor
 Watt: 9 x 5 W
 Measurements: 1863 mm (L), 100 mm (W), 100 mm (H)
 Cord: 300 cm
 LED info:* LED (replacable-spare part)
 lm output 4050 lm , CCT 3000K, SDCM 3, CRI 90, L90>100.000h, Driver: Pushdim, DALI

Colors: Black MJBL2003-X17 ●
 Blue MJBL2006-X17 ●



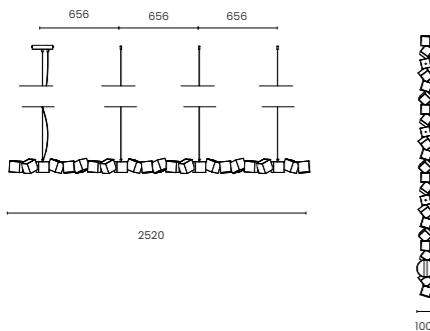
Notch Wall (2019) P. 79

Notchi (Sweden)

Description: Wall lamp in patterned steel and casted opal glass. Complex geometry, textile cord.

Environment: Indoor
 Watt: Max 25 W
 Measurements: 180 mm (H), 153 mm (W), 153 mm (D), 210 mm (From wall to edge of the shade)
 Fitting: G9 (Light bulb not included)

Colors: Black BSNO4003 ●



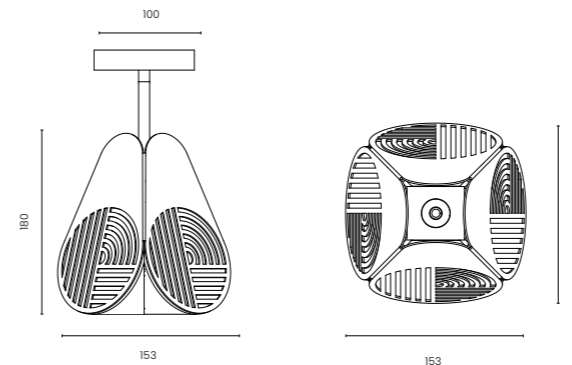
Blockchain 23 (2019) P. 6

Markus Johansson (Sweden)

Description: Pendant lamp providing downlight from every second cubes. Dimmable LED driver (trailing edge) is provided and fitted in the canopy. Steel wire suspensions and transparent cable.

Environment: Indoor
 Watt: 12 x 5 W
 Measurements: 2520 mm (L), 100 mm (W), 100 mm (H)
 Cord: 300 cm
 LED info:* LED (replacable-spare part)
 lm output 5400 lm , CCT 3000K, SDCM 3, CRI 90, L90>100.000h, Driver: Pushdim, DALI

Colors: Black MJBL2003-X23 ●
 Blue MJBL2006-X23 ●



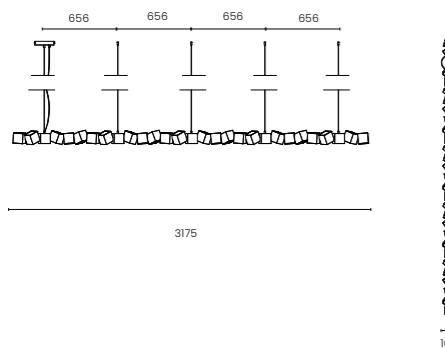
Notch Ceiling (2019) P. 80

Notchi (Sweden)

Description: Ceiling lamp in patterned steel and casted opal glass. Complex geometry, textile cord.

Environment: Indoor
 Watt: Max 25 W
 Measurements: 180 mm (H), 153 mm (W), 153 mm (D)
 Cord: 300 cm
 Fitting: G9 (Light bulb not included)

Colors: Black BSNO2003 ●



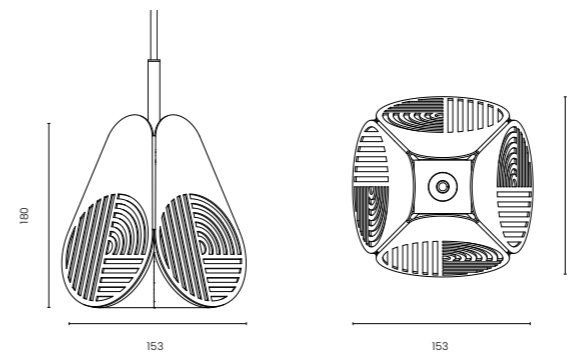
Blockchain 29 (2019) P. 7

Markus Johansson, Sweden

Description: Pendant lamp providing downlight from every second cubes. Dimmable LED driver (trailing edge) is provided and fitted in the canopy. Steel wire suspensions and transparent cable.

Environment: Indoor
 Watt: 15 x 5 W
 Measurements: 281 (H), 374 mm (∅)
 Cord: 300cm
 LED info:* LED (replacable-spare part)
 lm output 6750 lm , CCT 3000K, SDCM 3, CRI 90, L90>100.000h, Driver: Pushdim, DALI

Colors: Black MJBL2003-X29 ●
 Blue MJBL2006-X29 ●



Notch Pendant (2019) P. 80

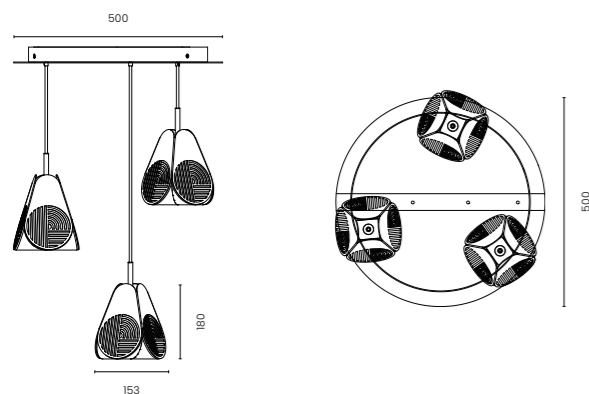
Notchi (Sweden)

Description: Pendant lamp in patterned steel and casted opal glass. Complex geometry, textile cord.

Environment: Indoor
 Watt: Max 25 W
 Measurements: 180 mm (H), 153 mm (W), 153 mm (D)
 Cord: 300 cm
 Fitting: G9 (Light bulb not included)

Colors: Black BSNO2003 ●





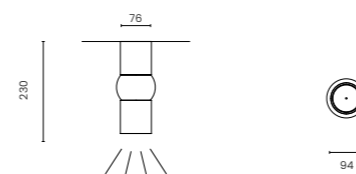
Notic Tripplette (2019) P. 80

Notchi (Sweden)

Description: Configuration of three Notic pendant lamps. Made in patterned steel and casted opal glass. Complex geometry, textile cord.

Environment: Indoor
 Watt: Max 3 x 25 w
 Measurements: 475 mm (H), 153 mm (W), 153 mm (D), Canopy: 500 mm (Ø), 38 mm (H)
 Cord: 300 cm
 Fitting: 3 x G9 (Light bulb not included)

Colors: Black BSNO2003-X3



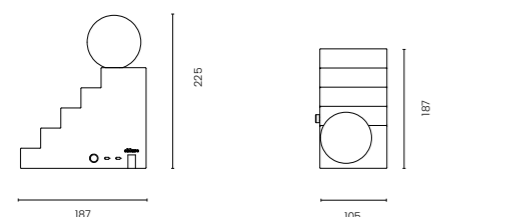
Lightbone Small Ceiling lamp (2023) P. 21

FÄRG & BLANCHE (Sweden/France)

Description: Ceiling lamp in solid oak wook, opal glass as a connection for ambient light, downlight with reflector for direct light. The color versions are made with linseedoil.

Environment: Indoor
 Measurements: 230 mm (H) x 94 mm (Ø),
 LED info*: 3 W & 10 W LED,
 Beam angle: Spot, Medium, Wide
 lm output 250lm & 1000 lm, CCT 2700K,
 CRI 90, SDCM 3, L80>50.000h, Driver: Phase cut dimmable

Colors: Black oak FBI2003.S
 Blue oak FBI2006.S
 Natural oak FBI2013.S



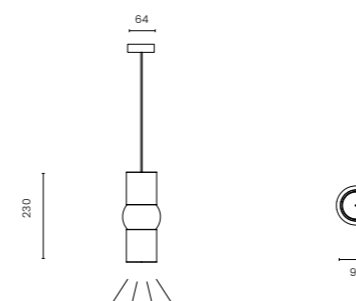
Stair Table (2022) P. 33

Notchi Architects (Sweden)

Description: Table lamp in steel and opal glass sphere equipped with G9 socket and rotary dimmer switch. The lamp also features with 2 x USB C charging ports and an hidden power outlet underneath.

Environment: Indoor
 Watt: Max 3 W (LED)
 Measurements: 225 mm (H), 187 mm (L), 105 mm (W)
 Cord: 300 cm
 Fitting: G9 (Light bulb not included, use a dimmable light bulb.)
 Futures: 2 x USB-C charging & 1 power outlet (230V)

Colors: Black NAST1003
 Beige NAST1004
 Yellow NAST1005
 Red NAST1007



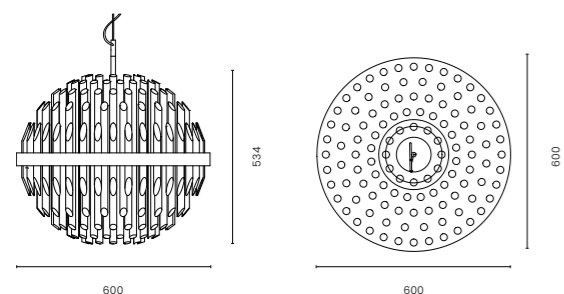
Lightbone Small Pendant lamp (2023) P. 19

FÄRG & BLANCHE (Sweden/France)

Description: Pendant lamp in solid oak wook, opal glass as a connection for ambient light, downlight with reflector for direct light. The color versions are made with linseedoil.

Environment: Indoor
 Measurements: 230 mm (H) x 94 mm (Ø),
 Cord: 300cm
 LED info*: 3 W & 10 W LED,
 Beam angle: Spot, Medium, Wide
 lm output 250lm & 1000 lm, CCT 2700K,
 CRI 90, SDCM 3, L80>50.000h, Driver: Phase cut dimmable

Colors: Black oak FBI2003.S
 Blue oak FBI2006.S
 Natural oak FBI2013.S



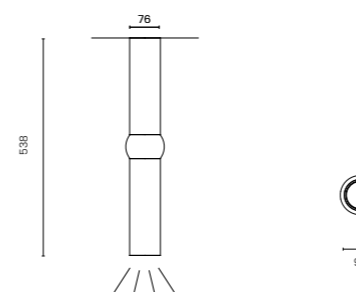
Helios (2020) P. 71

Joakim Thedin (Sweden)

Description: Modern chandelier made from acrylic glass and chrome plated steel. 240 transparent rods, each lit with a LED.

Environment: Indoor
 Watt: Max 2 x 20 W
 Measurements: 534 mm (H), 600 mm (Ø)
 Cord: 400 cm
 LED info*: LED (replacable-spare part)
 lm output 3600 lm, CCT 2700K, SDCM 3, CRI 80,
 L80>50.000h, Driver: Phase cut dimmable

Colors: Chrome JTHE2011



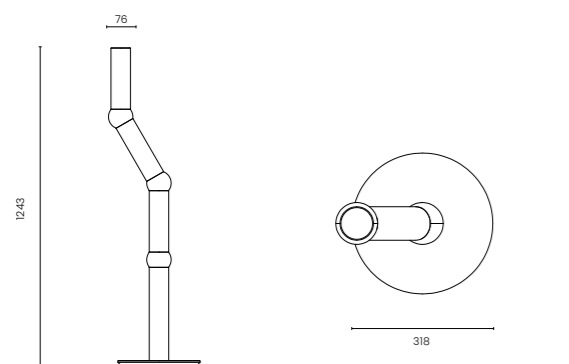
Lightbone Medium Ceiling lamp (2023) P. 20

FÄRG & BLANCHE (Sweden/France)

Description: Ceiling lamp in solid oak wook, opal glass as a connection for ambient light, downlight with reflector for direct light. The color versions are made with linseedoil.

Environment: Indoor
 Measurements: 230 mm (H) x 94 mm (Ø),
 LED info*: 3 W & 10 W LED,
 Beam angle: Spot, Medium, Wide
 lm output 250 lm & 1000 lm, CCT 2700K,
 CRI 90, SDCM 3, L80>50.000h, Driver: Phase cut dimmable

Colors: Black oak FBI2003.M
 Blue oak FBI2006.M
 Natural oak FBI2013.M



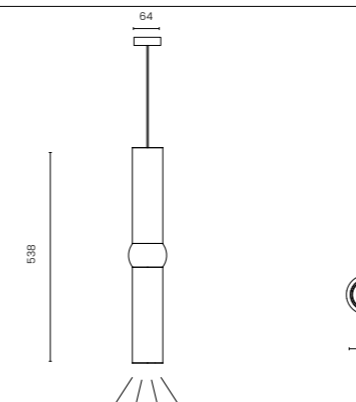
Lightbone Floor lamp (2023) P. 16

FÄRG & BLANCHE (Sweden/France)

Description: Floor lamp in solid oak wook, opal glass as connections, recessed solid brass plate on top as a rotating dimmer switch. The color version are made with linseedoil.

Environment: Indoor
 Watt: Max 3 x 3 w
 Measurements: 1243 mm (H) x 318 mm (Ø Base), 76 mm (Ø Pipe)
 Cord: 180cm
 LED info*: LED (replacable-spare part)
 lm output 750 lm, CCT 2700K, SDCM 3,
 CRI 90, L90>50.000h, rotary dimmer switch.

Colors: Blue oak FBI3006
 Black oak FBI3003
 Natural oak FBI3013



Lightbone Medium Pendant lamp (2023) P. 20

FÄRG & BLANCHE (Sweden/France)

Description: Pendant lamp in solid oak wook, opal glass as a connection for ambient light, downlight with reflector for direct light. The color versions are made with linseedoil.

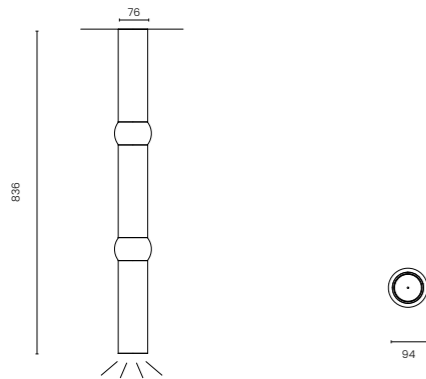
Environment: Indoor
 Measurements: 230 mm (H) x 94 mm (Ø),
 Cord: 300cm
 LED info*: 3 W & 10 W LED,
 Beam angle: Spot, Medium, Wide
 lm output 250 lm & 1000 lm, CCT 2700K,
 CRI 90, SDCM 3, L80>50.000h, Driver: Phase cut dimmable

Colors: Black oak FBI2003.M
 Blue oak FBI2006.M
 Natural oak FBI2013.M



LED info*: Updated and detailed information, please see product sheet or website.

LED info*: Updated and detailed information, please see product sheet or website.



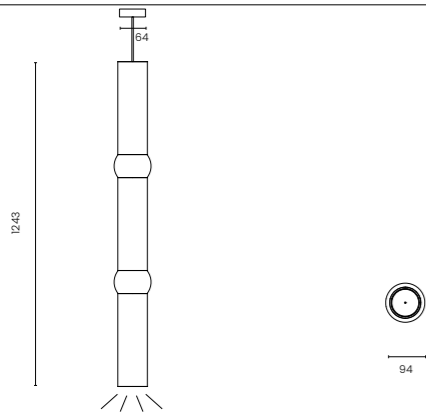
Lightbone Large Ceiling lamp (2023) P. 22

FÄRG & BLANCHE (Sweden/France)

Description: Ceiling lamp in solid oak wook, opal glass as a connection for ambient light, downlight with reflector for direct light. The color versions are made with linseedoil.

Environment: Indoor
 Measurements: 230 mm (H) x 94 mm (Ø),
 LED info*: 2 x 3 W & 10 W LED,
 Beam angle: Spot, Medium, Wide
 lm output 2 x 250lm & 1000 lm , CCT 2700K,
 CRI 90, SDCM 3, L80>50.000h, Driver: Phase cut
 dimmable

- Colors: Black oak FBIJ2003.L ●
 Blue oak FBIJ2006.L ●
 Natural oak FBIJ2013.L ●



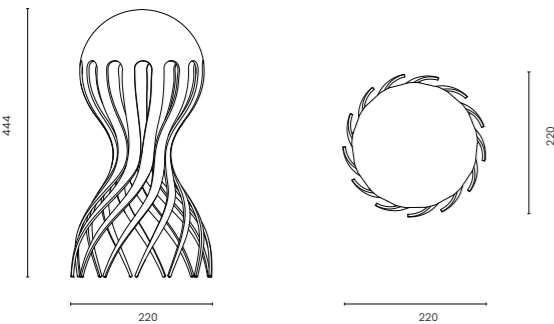
Lightbone Large Pendant lamp (2023) P. 24

FÄRG & BLANCHE (Sweden/France)

Description: Pendant lamp in solid oak wook, opal glass as a connection for ambient light, downlight with reflector for direct light. The color versions are made with linseedoil.

Environment: Indoor
 Measurements: 230 mm (H) x 94 mm (Ø),
 Cord: 300cm
 LED info*: 2 x 3 W & 10 W LED,
 Beam angle: Spot, Medium, Wide
 lm output 2 x 250lm & 1000 lm , CCT 2700K,
 CRI 90, SDCM 3, L80>50.000h, Driver: Phase cut
 dimmable

- Colors: Black oak FBIJ2003.L ●
 Blue oak FBIJ2006.L ●
 Natural oak FBIJ2013.L ●



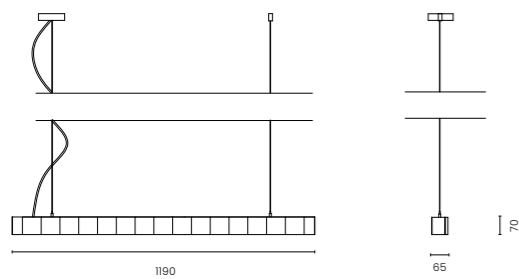
Cirrata Table (2011) P. 75

Markus Johansson (Sweden)

Description: Table lamp is made in aluminum with a decorative light effect. Textile cable with dimmer switch. Interchangeable multi wall plug adapter for multi country use.

Environment: Indoor
 Watt: 3.2 W
 Measurements: 444 mm (H), 220 mm (Ø)
 Cord: 180cm
 Fitting: LED (replaceable) 2700K

- Colors: White MJCII001 ○
 Grey MJCII002 ●



Superwave Pendant (2024) P. 27

Notchi Architects (Sweden)

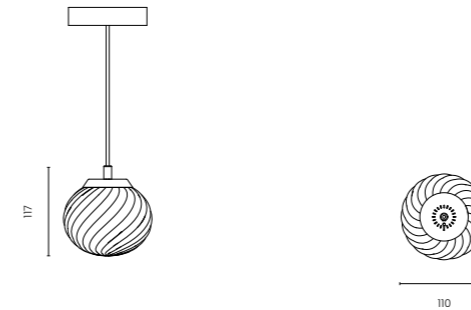
Description: Pendant lamp in wave shape body and anti glare louvres. Downlight and uplight with suspension steel wire griplock® and transparent cable. External driver inside ceiling canopy.

Environment: Indoor
 Watt: 80 W
 Measurements: 1190 mm (L), 70 mm (H), 65 mm (W)
 Cord: 300cm
 LED info*: 20W uplight 2000lm, 50W downlight
 4000lm, CCT 3000K, CRI 90, SDCM 3, L90>100.000h.

- Colors: White NASW2001 ○
 Black NASW2003 ●
 Mintgreen NASW2007 ●
 Lilac NASW2014 ●
 Custom NASW2000.XX ●



LED info*: Updated and detailed information, please see product sheet or website.



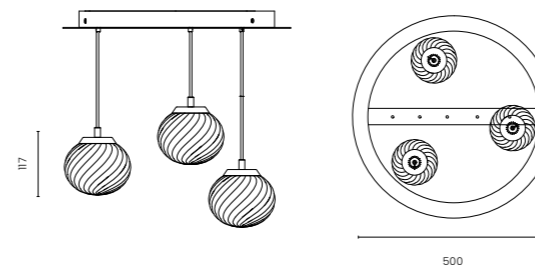
Inside 2.0 Single (2017) P. 85

Morten & Jonas (Norway)

Description: The pendant consist with a twisted glass. The light diffuses and spread a gentle wave pattern.

Environment: Indoor
 Watt: Max 5 W
 Measurements: 117 mm (H) 110 mm (Ø)
 Cord: 300cm
 LED info*: 5 W, lm output 750lm, opal, CCT
 2700K, CRI 90, SDCM 3, L80>50.000h, Driver:
 Phase cut dimmable

- Colors: Black MJIN2000 ●



Inside 2.0 Triplette (2017) P. 86

Morten & Jonas (Norway)

Description: The pendant consist with a twisted glass. The light diffuses and spread a gentle wave pattern. Ceiling canopy pre set positions for tripple hanging.

Environment: Indoor
 Watt: Max 3 x 5 W
 Measurements: 500 mm (W) x 94 mm (Ø)
 Cord: 300 cm
 LED info*: 3 x 5 W, lm output 750lm, opal,
 CCT 2700K, CRI 90, SDCM 3, L80>50.000h,
 Driver: Phase cut dimmable

- Colors: Black MJIN2000-X3 ●



LED info*: Updated and detailed information, please see product sheet or website.