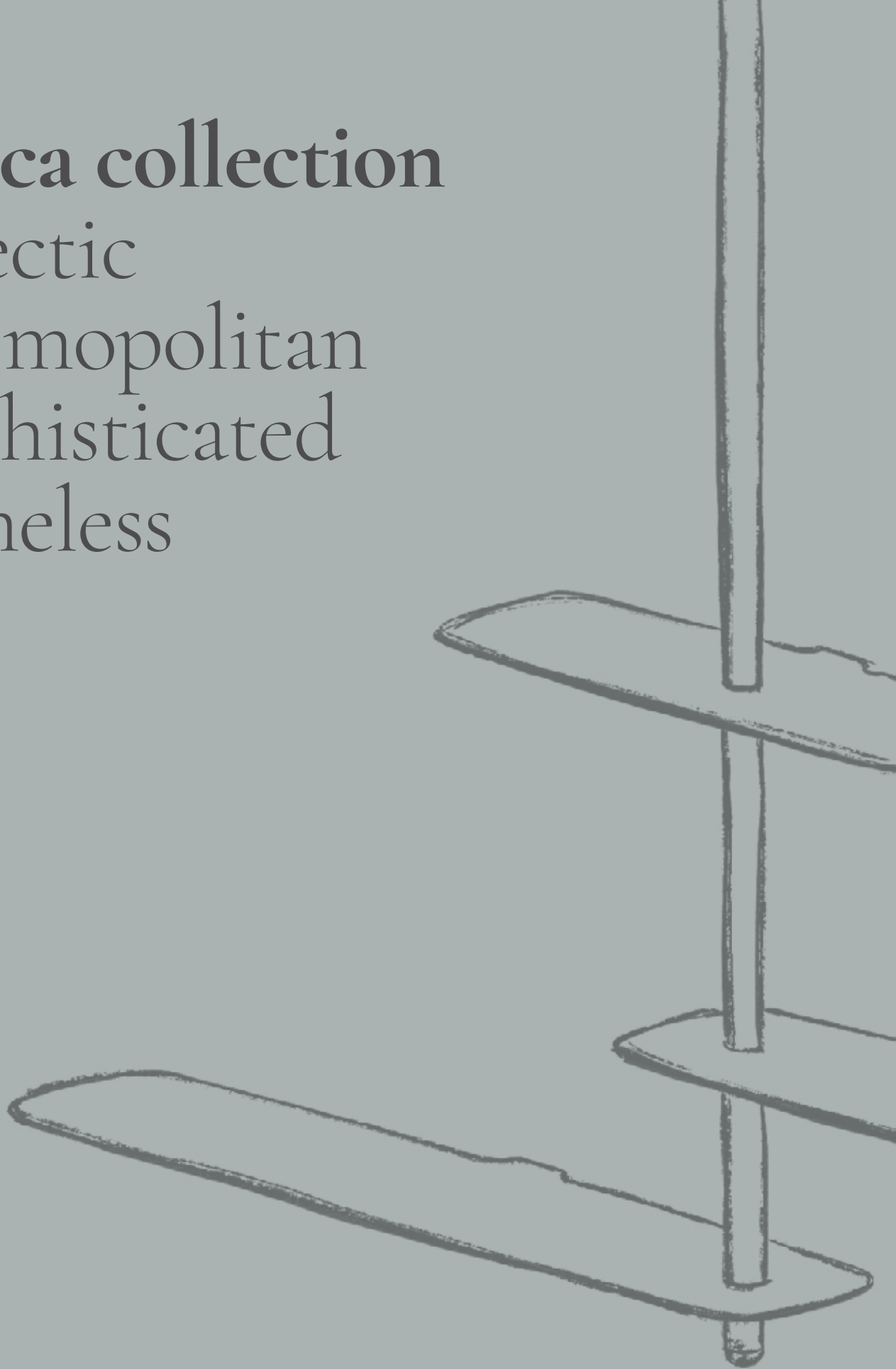
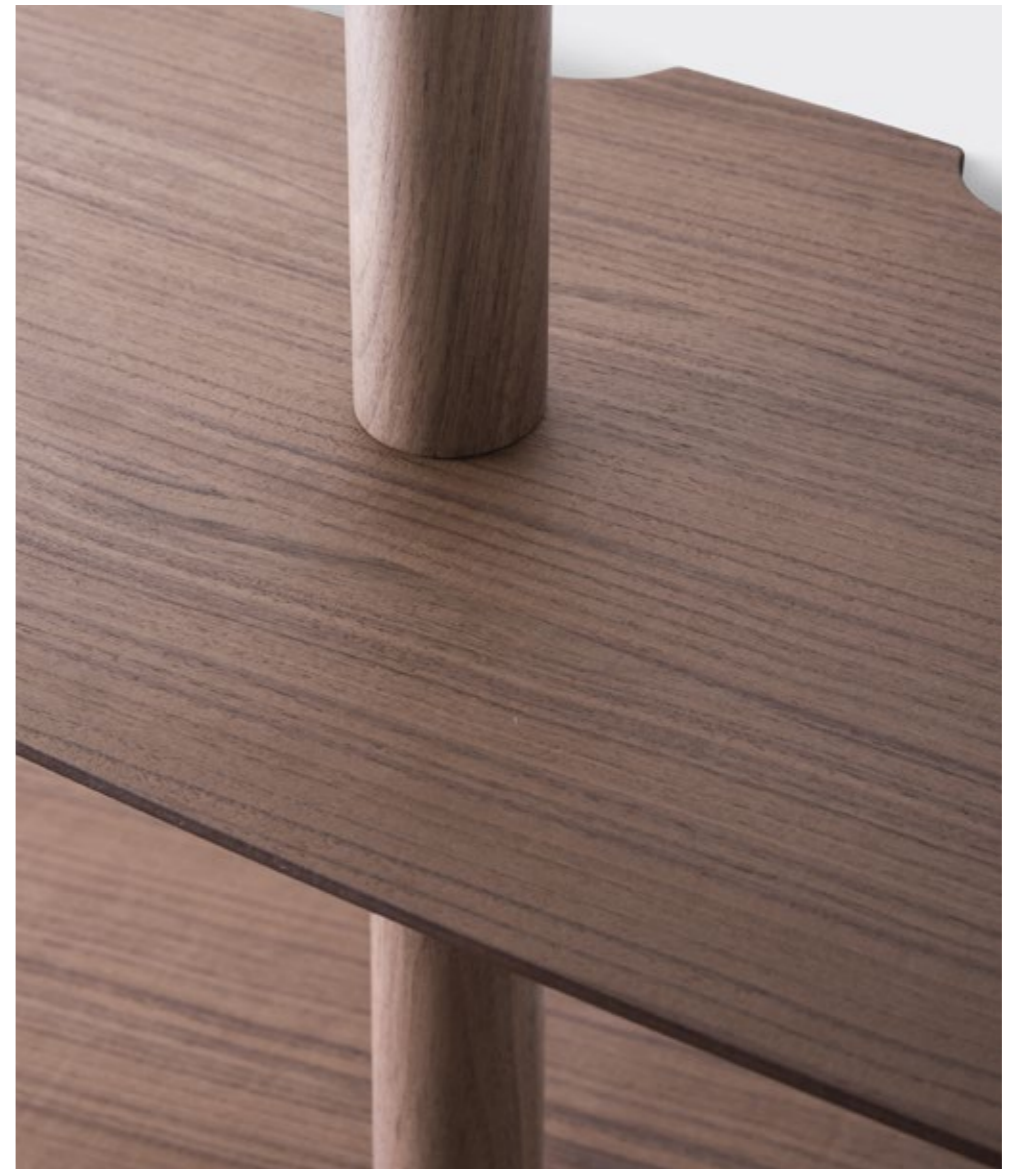


Unica collection
Eclectic
Cosmopolitan
Sophisticated
Timeless



nomon
JEWELRY FOR HOME

“Unica collection is born with the aim of the user to participate in the design of the furniture, offering in a simple and intuitive way **infinite possibilities.**”



Award-winning product
2020 Bronze Delta Award

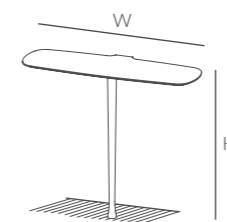


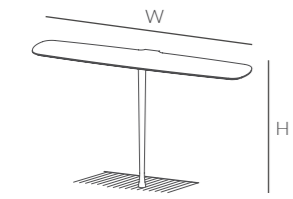


“Unica Collection are **modular structures** in which you can design the shelving system **combining shelves** and rods of different dimensions.”

CONF. 1

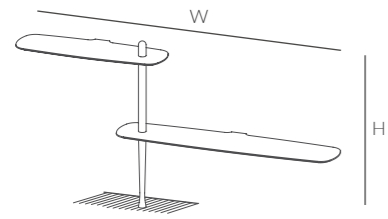
H • 72 cm | 28.3"
W • 82 cm | 32.3"





CONF. 2

H • 72 cm | 28.3"
W • 122 cm | 48"



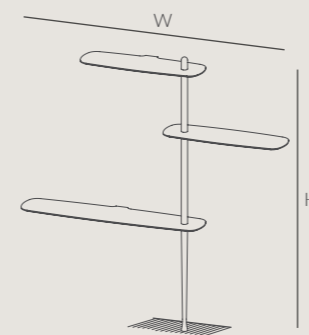
CONF. 3

H • 92 cm | 36.22"
W • 178 cm | 70"



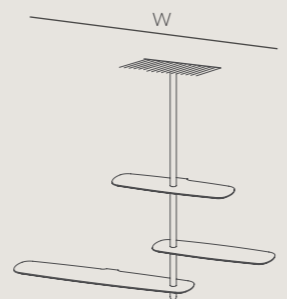
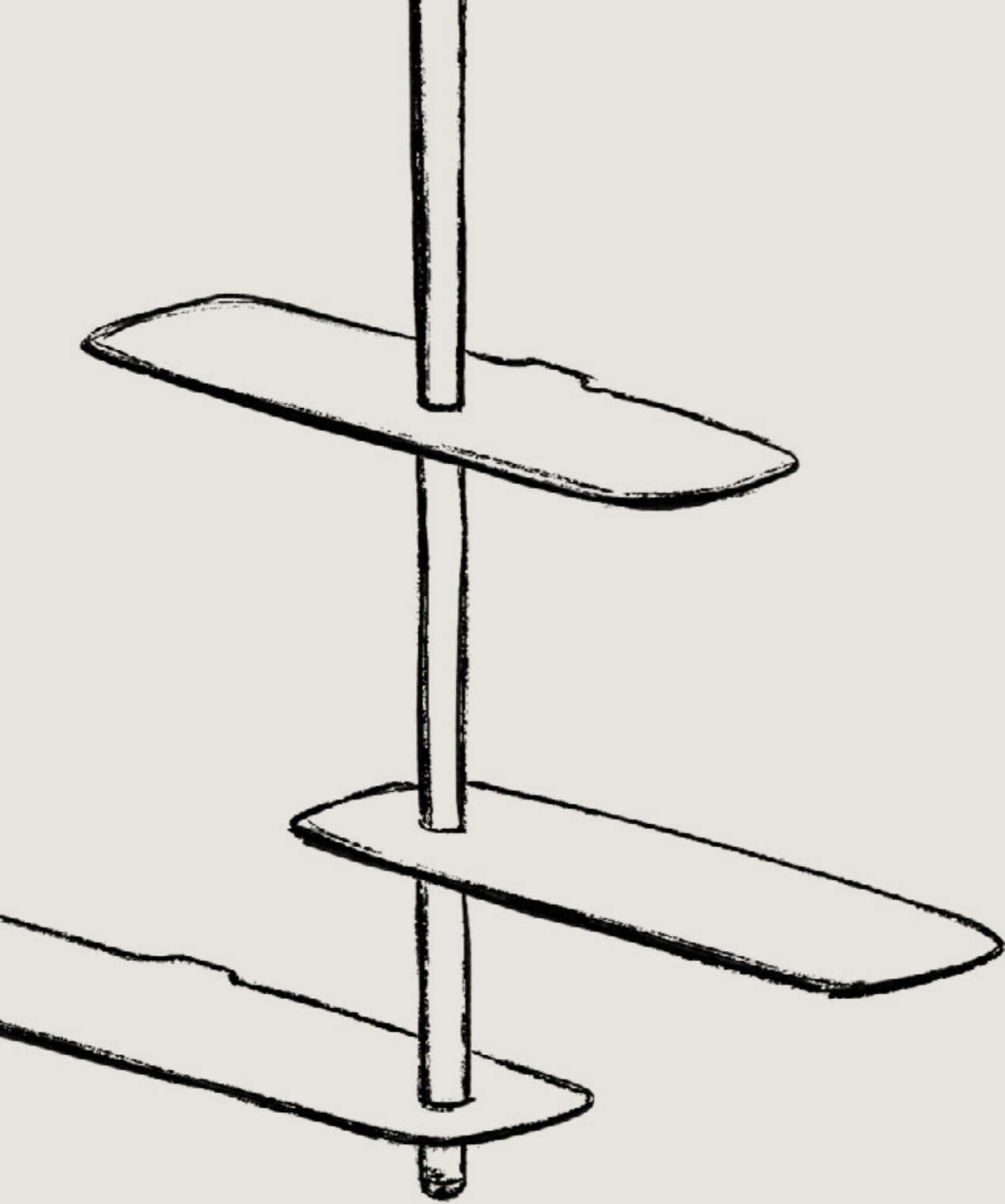


CONF. 4



CONF. 4

H • 184 cm | 72.44"
W • 178 cm | 70"



CONF. 5

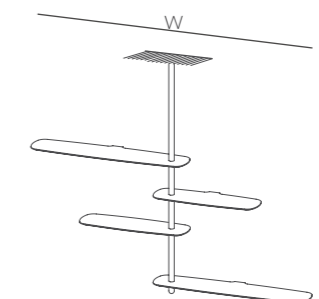
H • 159 cm | 62.6"
W • 178 cm | 70"



CONF. 5

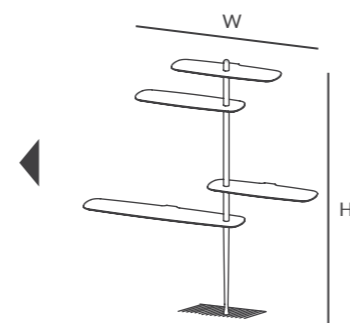


“Versatile collection
allowing installation in
any position from the
floor or to the ceiling.”



CONF. 7

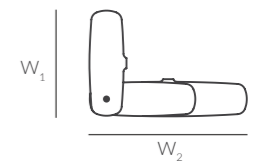
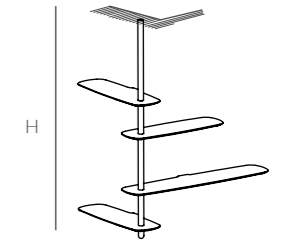
H • 186 cm | 73.22"
W • 218 cm | 85.83"

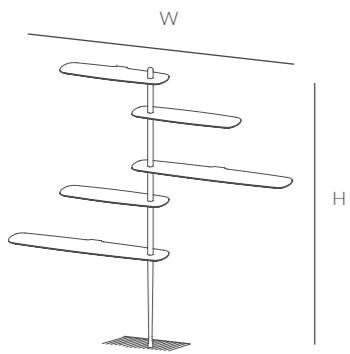


CONF. 8
H • 196 cm | 77.16"
W • 178 cm | 70"

CONF. 9

H • 166 cm | 65.35"
W₁ • 82 cm | 33.28"
W₂ • 122 cm | 48"

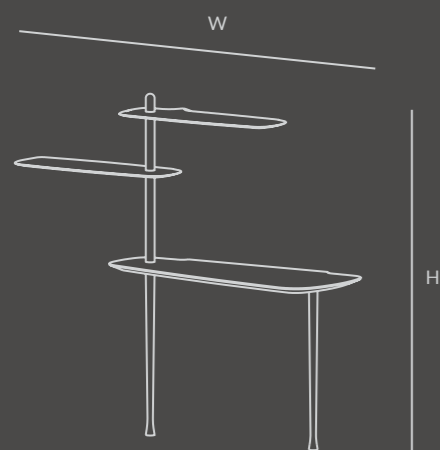




CONF. 10
H • 218 cm | 50.39"
W • 218 cm | 50.39"



“Stylish and complete minimalist desk. It reduces its elements to the indispensable, remaining only with two legs.”



ESCRITORIO

H • 152 cm | 59.84"
W • 195 cm | 76.77"



DESCRIPTION

It is a modular system consisting of shelves and rods of different sizes. The system stands thanks to a central base in which you can alternate fixed shelves to the wall with floating shelves, providing strength and flexibility to the structure at the same time. It's a very versatile collection that allows installation in any position to the floor or to the ceiling.

Nomon has an online Única shelving system configurator at the following address:

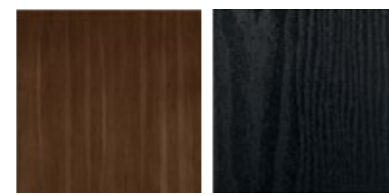
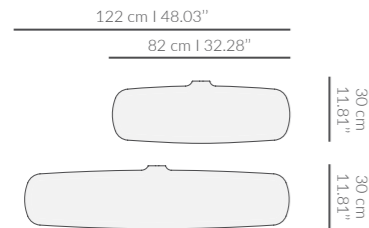
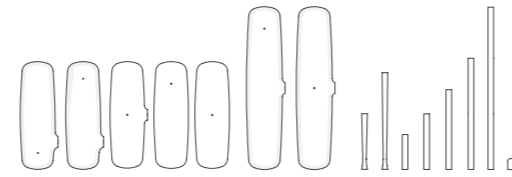
<https://nomonhome.com/configurator/model/estanteria>

MATERIAL

Rods & terminals: Natural solid walnut or black stained ash veneered.

Shelves: MDF natural walnut veneered top or black stained ash veneered.

Manufactured in Spain following artisanal methods with natural solid walnut.

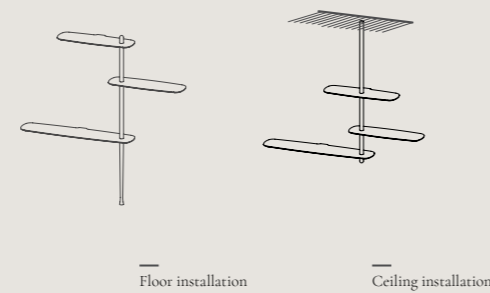


Walnut Black ash

CARACTERÍSTICAS

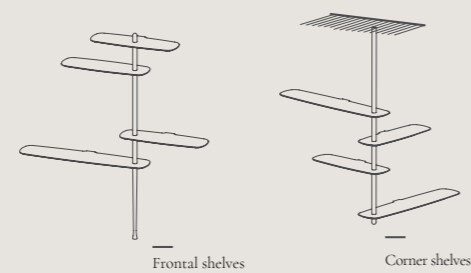
1. FLOOR AND CEILING INSTALLATION

It can be installed on the floor or suspended from the ceiling, alternating freestanding and fixed selves.



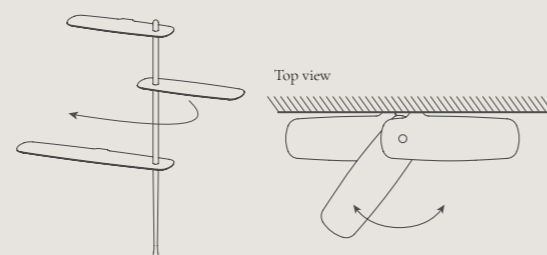
2. FRONT OR CORNER SHELVING

Allows installation on several positions, combining with flat angled walls.



3. FREESTANDING SHELF

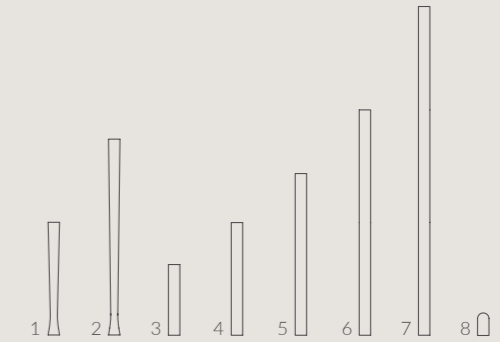
The system allows alternating fixed and freestanding shelves, which can rotate, providing additional functionality.



ELEMENTS

RODS & TERMINALS

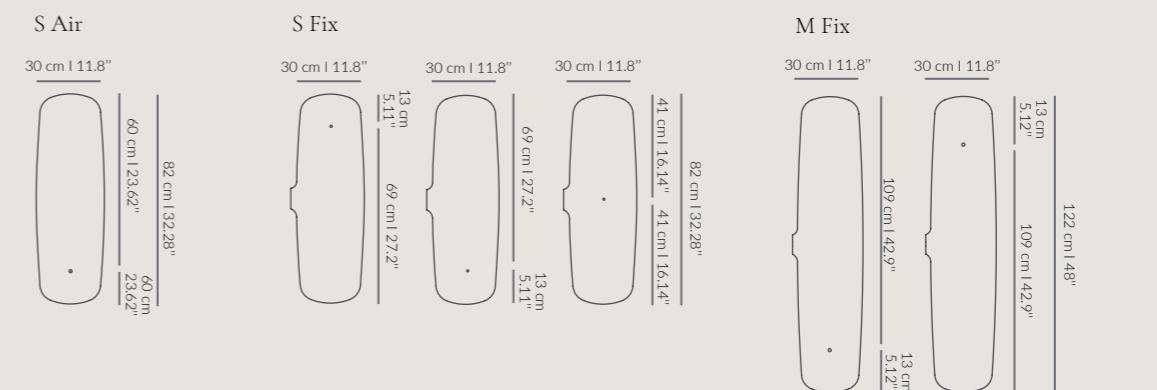
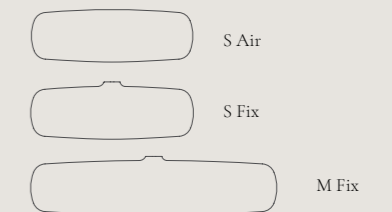
MODEL	REF.
Tramo en Nogal natural	ROD
1 · Pata 40 cm 15.75" · Ø4cm 1.57"	
2 · Pata 70 cm 15.75" · Ø4cm 1.57"	
3 · Tramo 25 cm 9.84" · Ø4cm 1.57"	
4 · Tramo 40 cm 15.75" · Ø4cm 1.57"	
5 · Tramo 60 cm 23.52" · Ø4cm 1.57"	
6 · Tramo 80 cm 31.5" · Ø4cm 1.57"	
7 · Tramo 120 cm 47.25" · Ø4cm 1.57"	
8 · Terminal 8 cm 3.15" · Ø4cm 1.57"	



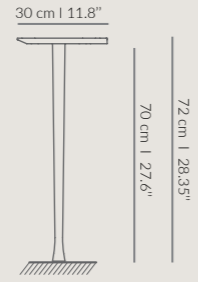
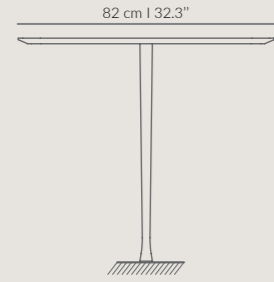
BALDAS

Length: Shelf S 82 cm / Shelf M 122 cm
Width: 30 cm
Thickness: 1,8 cm

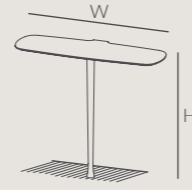
MODEL	REF.
S Air natural walnut veneered top	-
S Fix natural walnut veneered top	-
M Fix natural walnut veneered top	-



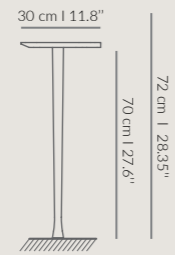
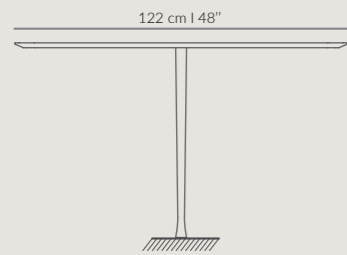
CONF. 1



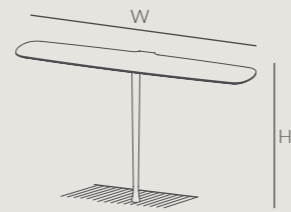
H • 72 cm | 28.3"
W • 82 cm | 32.3"



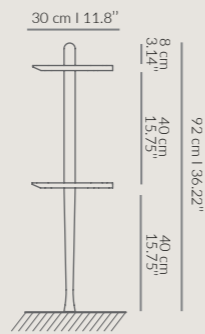
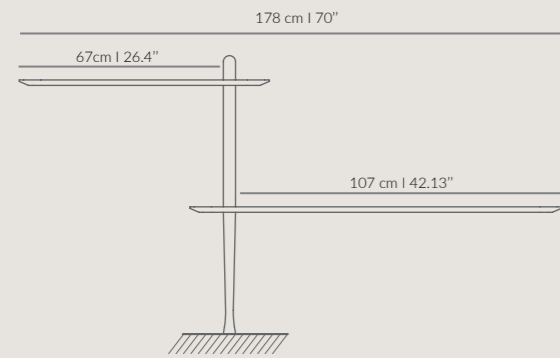
CONF. 2



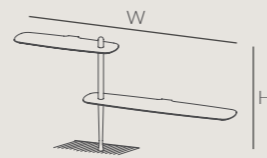
H • 72 cm | 28.3"
W • 122 cm | 48"



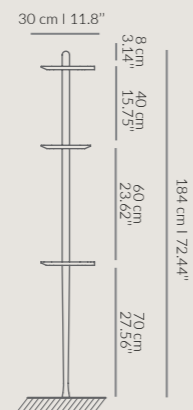
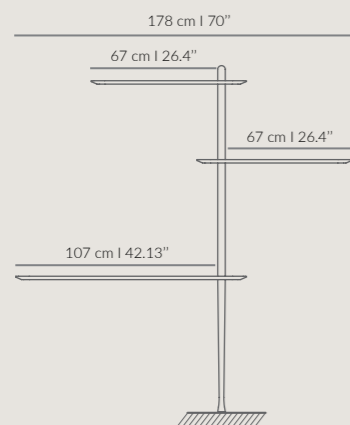
CONF. 3



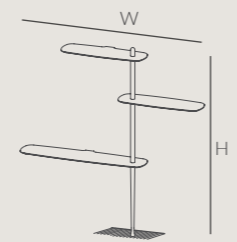
H • 92 cm | 36.22"
W • 178 cm | 70"



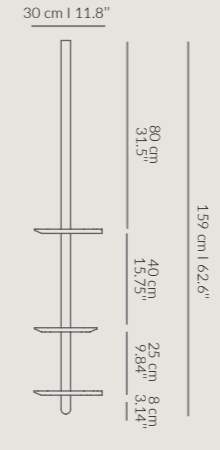
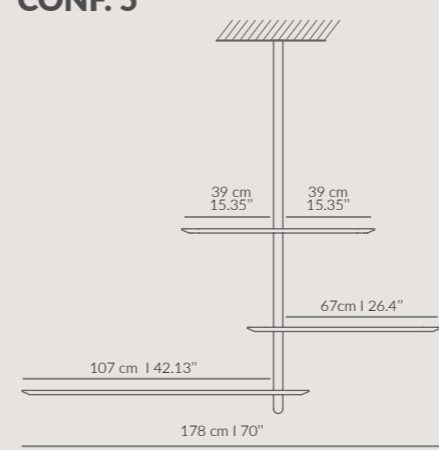
CONF. 4



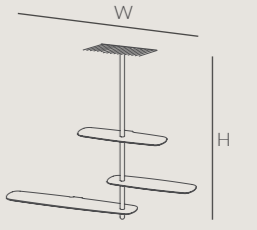
H • 184 cm | 72.44"
W • 178 cm | 70"



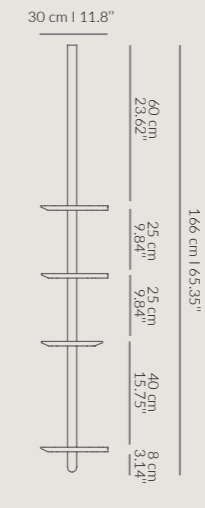
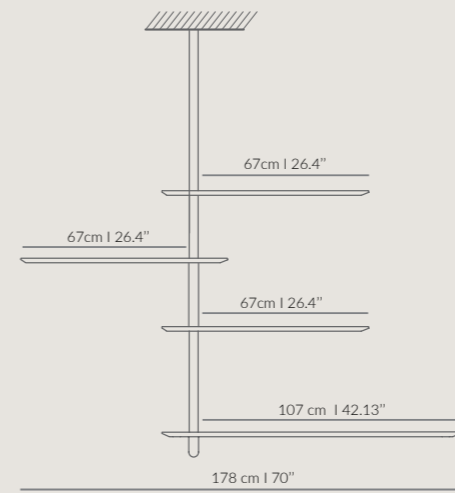
CONF. 5



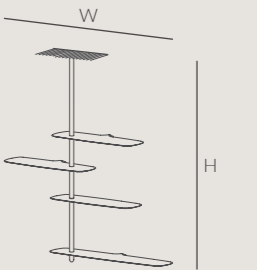
H • 159 cm | 62.6"
W • 178 cm | 70"



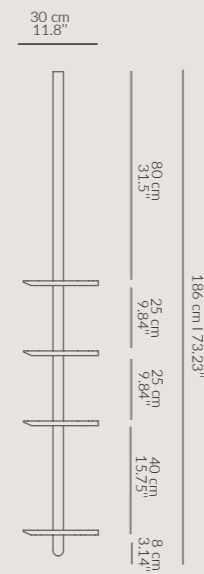
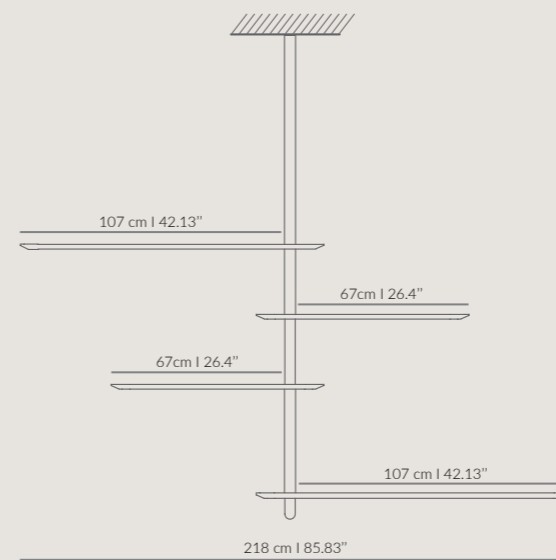
CONF. 6



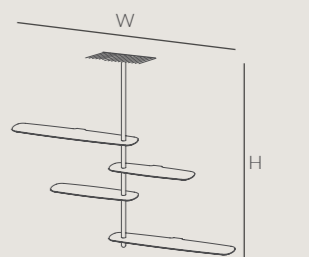
H • 166 cm | 65.35"
W • 178 cm | 70"



CONF. 7

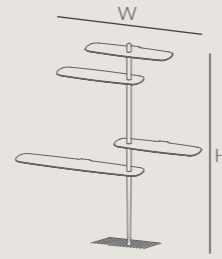
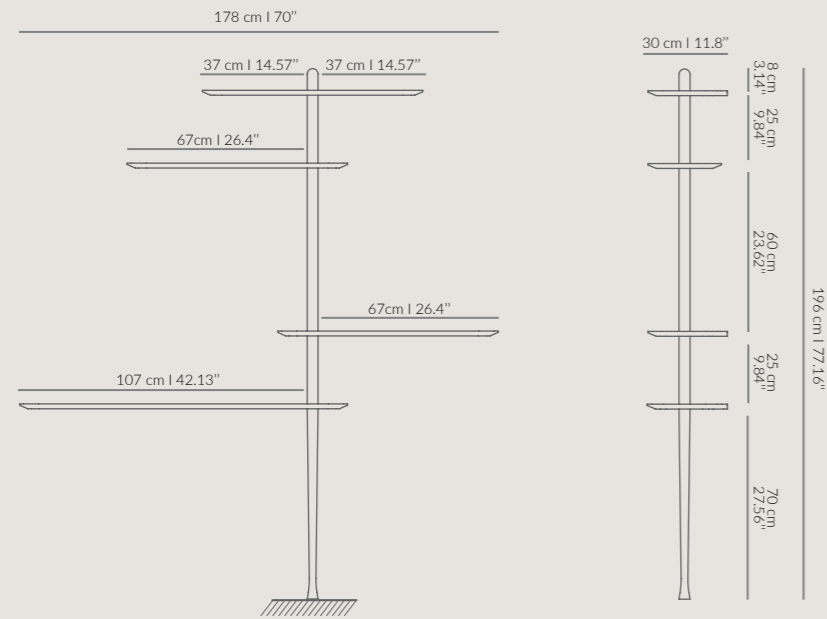


H • 186 cm | 73.22"
W • 218 cm | 85.83"



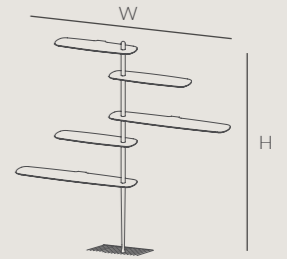
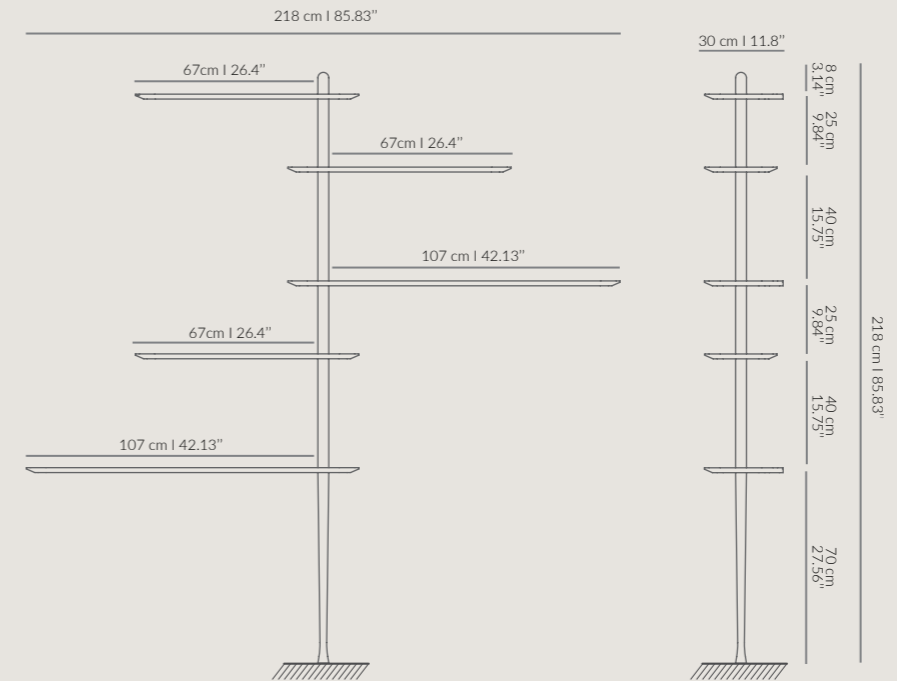
CONF. 8

H • 196 cm | 77.16"
W • 178 cm | 70"



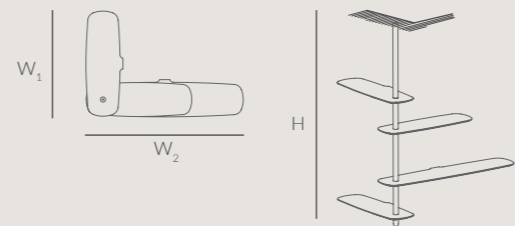
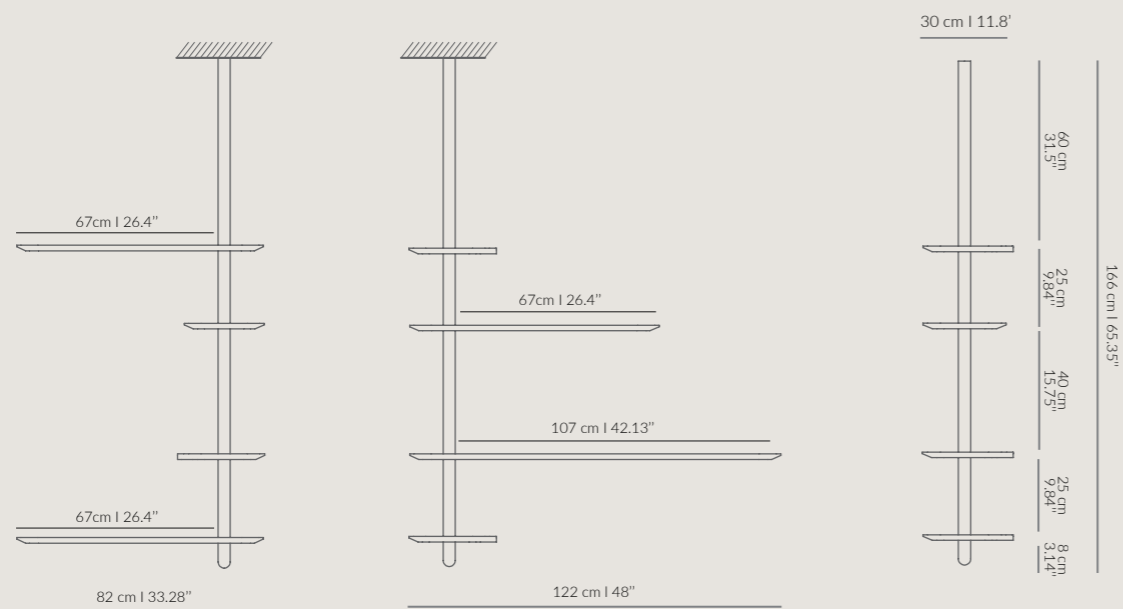
CONF. 10

H • 218 cm | 85.83"
W • 218 cm | 85.83"



CONF. 9

H • 166 cm | 65.35"
W₁ • 82 cm | 33.28"
W₂ • 122 cm | 48"



ESCRITORIO

H • 152 cm | 59.84"
W • 195 cm | 76.77"

