



Limited edition
NEWTON

CHANDELIER

We take great pride in designing modern luxury pieces, working with special materials using artisan techniques. The Newton chandelier is a unique handcrafted piece that reflects the best of Portuguese metalwork, authenticating Boca do Lobo's core values and ethos.

Product features: Newton Chandelier is a monumental piece which authenticates Boca do Lobo designers and artisans' work.

Arts and Techniques: Joinery, Foundry

Materials and Finishes: Aluminum, Gold Plated.

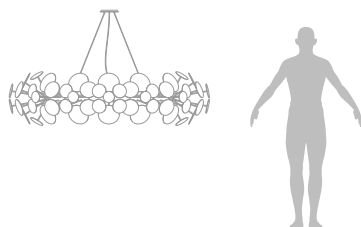
Product Options: Limited Edition. Singular Products.

Customization: Custom sizes and colors are available with an upcharge.

Observations for mounting: Pads on the base to protect the support area.

Clean and Care: Dry cloth.

TECHNICAL INFO



DIMENSIONS

Width: 150cm (59,1 in.)

Depth: 66cm (26,0 in.)

Height: 130cm (51,2 in.)

 1 box

 333 (734,1lbs)

 2,33

EXPLORE MORE



. WEBSITE .



. CATALOGS .




. FINISHES .

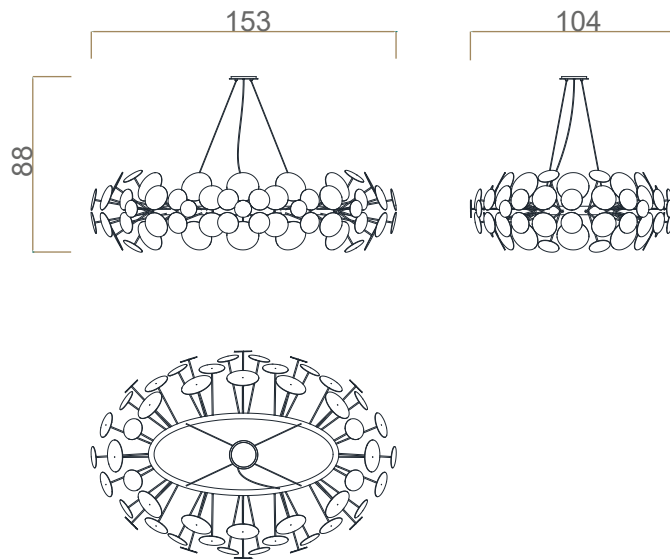


. PRESS EDITORIAL .



. VIDEOS .

 +351 910 936 335
 +351 224 887 170
 info@bocadolobo.com



Limited edition

NEWTON

CHANDELIER

MATERIALS & FINISHES

STANDARD



POLISHED BRASS
W. GLOSS



BLACK LACQUER
W. GLOSS



NEWTON TOP
TEXTURE

Custom colors and finishes are available with an upcharge.
Please contact info@bocadolobo.com