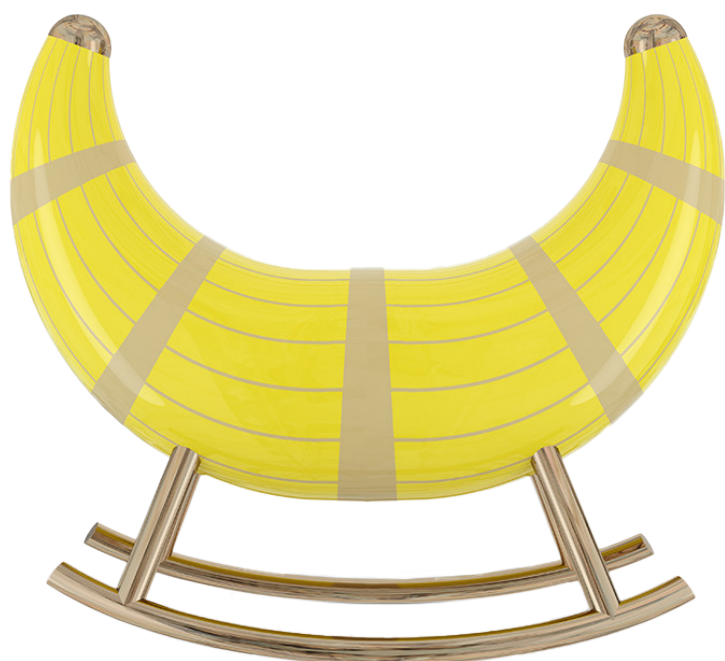




SCARLET  
SPLENDOUR

NANOOK OF THE  
NORTH LIME



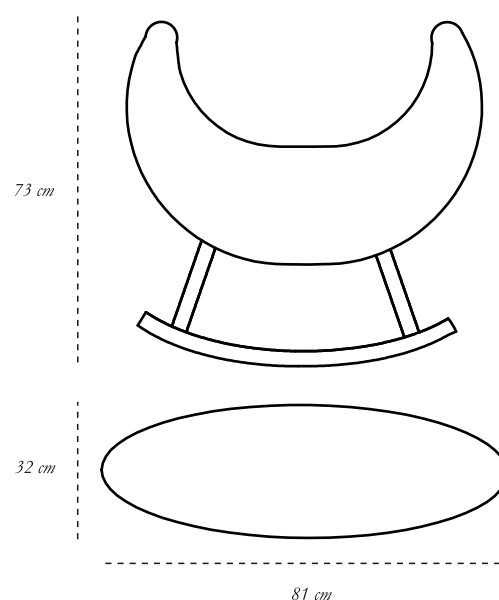
Nanook of the North Lime is an exquisite rocking seat in lime with metal legs

*recommended use* In a residence, hotel or office  
*collection*



*designer* Matteo Cibic  
*description* Rocking seat  
*dimension* Width 81 cm  
Depth 32 cm

*material* Nautical resin, wood,  
metal



CARE Wipe gently with dry soft cloth. In case of spillage of water wipe immediately.

Each piece in the Gelato collection exalts the handmade, the painstakingly crafted, the authentic. A piece may have slight variations and tiny imperfections but these are the marks of an artisan, a testament to the individuality of each work of art. It is our belief that these variations infuse our objets d'art with desire and we assert our right to make necessary qualitative changes.