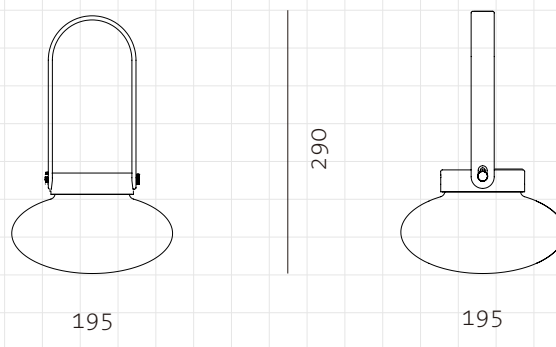


Mün Rechargeable Lantern



CODE
DIMENSIONS

MN-R110
Ø195 x H290mm

NET WEIGHT
ENVIRONMENT
MATERIALS

0.70 kg
Outdoor
Powder coated steel frame, silicone handle, glass shade
*Please refer to website or contact your local representative for complete material swatches.

SHIPPING

Package	Assembled		
Package Qty	4 pcs/box		
Packaging	Measurement (mm)	Volume (cbm)	Gross Weight (kg)
FCL/LCL/AIR			