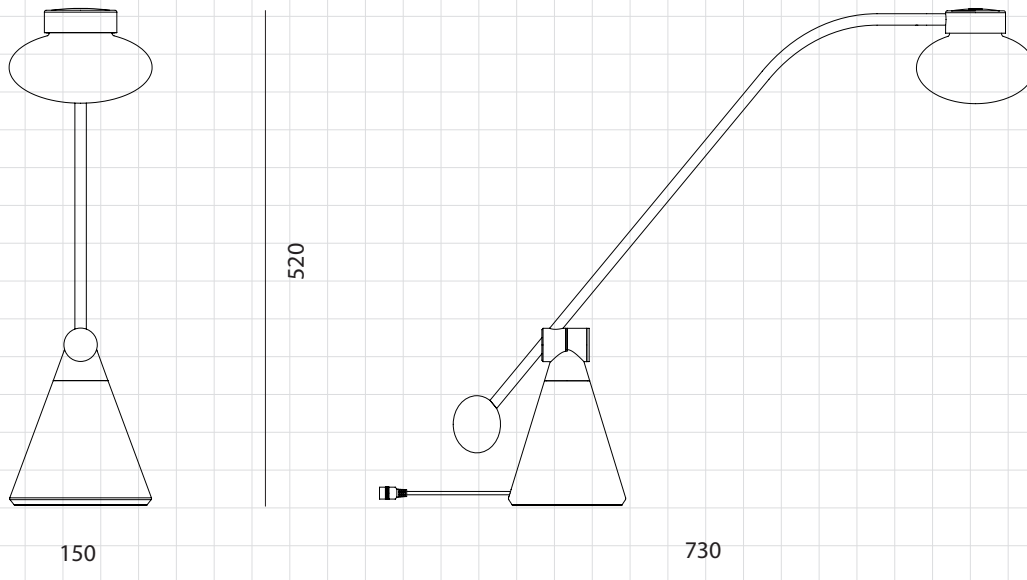


MÜN
BY OEO STUDIO

Mün Desk Lamp



CODE DIMENSIONS

MN-TL110
W150 x D730 x H520mm

NET WEIGHT ENVIRONMENT MATERIALS

5.75 kg
Indoor
Powder coated steel frame, glass shade
*Please refer to website or contact your local representative for complete material swatches.

SHIPPING

Package	Assembled		
Package Qty	1 pcs/box		
Packaging	Measurement (mm)	Volume (cbm)	Gross Weight (kg)
FCL/LCL/AIR	W920 x D365 x H250	0.08	7.55