



MR. TUBES



Mr. Tubes is a sturdy lamp design that combines pure functionality with graphical aesthetics. The black-coated steel construction holds two (or four) Philips 30W/827 fluorescent tubes and gives the lamp an industrial look; a straightforward design suitable for various locations. The lamp is dimmable and the adjustable steel cables make it possible to hang the lamp at any height.



MR. TUBES

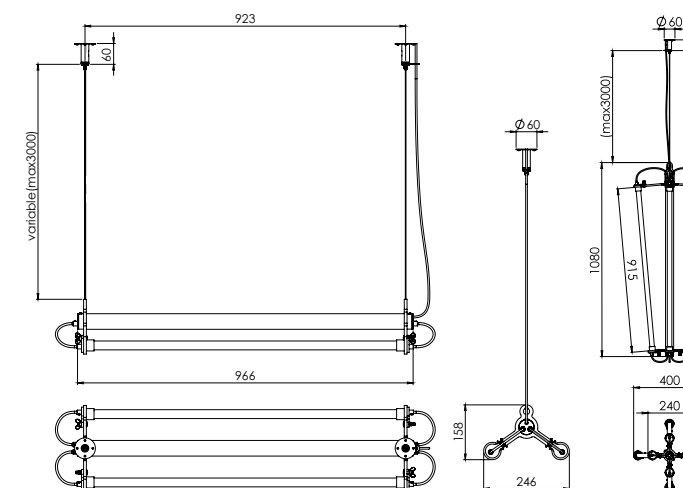
Design by Anton de Groof 2013

Material	steel & aluminum
Description	body in coated steel & aluminum, carried by 2 black steel cables the mr. tubes is dimmable and the steel cables make it possible to hang the lamp at any height
Total weight	horizontal 4,4 kg vertical tapered 4,6 kg
Volt	220 V - 240 V
Max Watt	2 x 30 Watt / 4 x 30 Watt
Light source	horizontal 2 x dimmable fluorescent tube vertical tapered 4 x dimmable fluorescent tube
Light color	2700K

horizontal



tapered



black

mr. tubes dimmable
mr. tubes dimmable with switch
mr. tubes tapered dimmable

1420 1421 1422

Other colors available on request