



COLORS
passion furniture

MONET

SIDE TABLE

Influenced by the impressionist movement, and paying tribute to one of the era's greatest painters, the Monet side table is a sophisticated furniture piece with a modern design twist. Featuring both contrasting shapes and materials, from a geometric acrylic base, to an organic surface made from cast brass, in a unique textured finish, the Monet is an exclusive furniture piece that stands out due to its perfectly balanced synthesis.

Product features: This sophisticated side table has an acrylic base, and a cast brass table top, with a unique surface texture.

Arts and Techniques: Foundry, Soldering.

Materials and Finishes: Textures Brass, Acrylic

Product Options: Available in patina, copper or silver coat finishes.

Customization: Custom sizes and colors are available with an upcharge.

Observations for mounting: Pads on the base to protect the support area.

Clean and Care: Dry cloth.

TECHNICAL INFO

DIMENSIONS

Width: 36cm (55,1 in.)

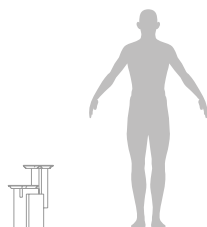
Depth: 36cm (3,9 in.)

Height: 50cm (37,8 in.)

 1 box

 21 (46,3lbs)

 0,11



EXPLORE MORE



. WEBSITE .



. CATALOGS .






. FINISHES .

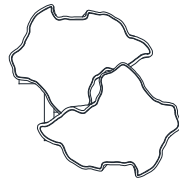
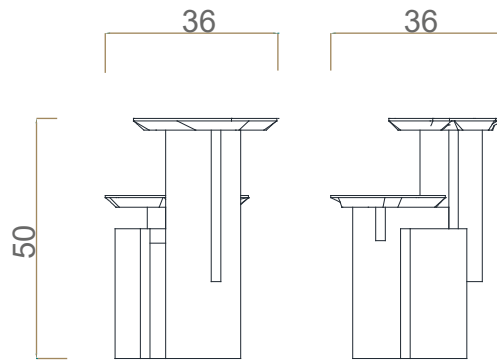


. PRESS EDITORIAL .



. VIDEOS .

 +351 910 936 335
 +351 224 887 170
 info@bocadolobo.com



COLORS
passion furniture

MONET

SIDE TABLE

MATERIALS & FINISHES

STANDARD



POLISHED BRASS
W. GLOSS



NEWTON TOP
TEXTURE



ACRYLIC

PRODUCT OPTIONS



POLISHED COPPER



NEWTON TOP
TEXTURE COPPER



POLISHED STAINLESS
STEEL



NEWTON TOP
TEXTURE POLISHED
STAINLESS STEEL

Custom colors and finishes are available with an upcharge.
Please contact info@bocadolobo.com