



SCARLET
SPLENDOUR

MADAME VERDOUX
PEACH



Madame Verdoux Peach is a splendid cabinet designed by Matteo Cibic with lace inspired motifs in tones of delectable peach and red. It is finished with rich leather interiors and can be used as a bar or a storage cabinet

recommended use In a residence, hotel or office

collection



designer

Matteo Cibic

description

Cabinet

dimension

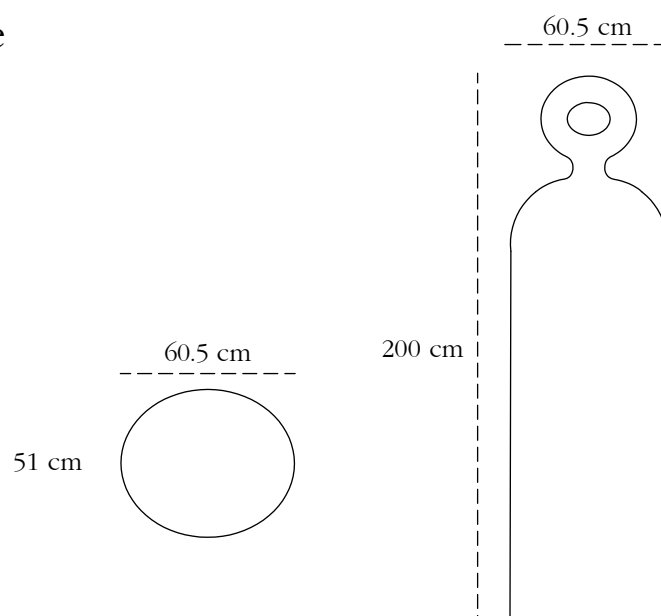
Width 60.5 cm

Depth 51 cm

Height 210 cm

material

Mdf, plywood,
resin inlay, leather



CARE Wipe gently with dry soft cloth. In case of spillage of water wipe immediately.

Each piece in the Gelato collection exalts the handmade, the painstakingly crafted, the authentic. A piece may have slight variations and tiny imperfections but these are the marks of an artisan, a testament to the individuality of each work of art. It is our belief that these variations infuse our objets d'art with desire and we assert our right to make necessary qualitative changes.