




## INSTALLATION GUIDE FOR NON-WOVEN WALLPAPER

NON-WOVEN WALLPAPER IS AN EASY TO HANG 'PASTE THE WALL' PRODUCT.  
STILL WE RECOMMEND TO WORK WITH A PROFESSIONAL TO HANG THE WALLPAPER.

### Tools you'll need:

- \_\_\_\_\_ Tape measure
- \_\_\_\_\_ Sharp cutter
- \_\_\_\_\_ Sponge
- \_\_\_\_\_ Pencil
- \_\_\_\_\_ Wallpaper paste (for non woven type)
- \_\_\_\_\_ Straight ruler
- \_\_\_\_\_ Paint brush
- \_\_\_\_\_ Tray
- \_\_\_\_\_ Bowl of water
- \_\_\_\_\_ Wallpaper roller

 **GOOD COLOUR FASTNESS**

 **PASTE THE WALL**

 **STRAIGHT MATCH**

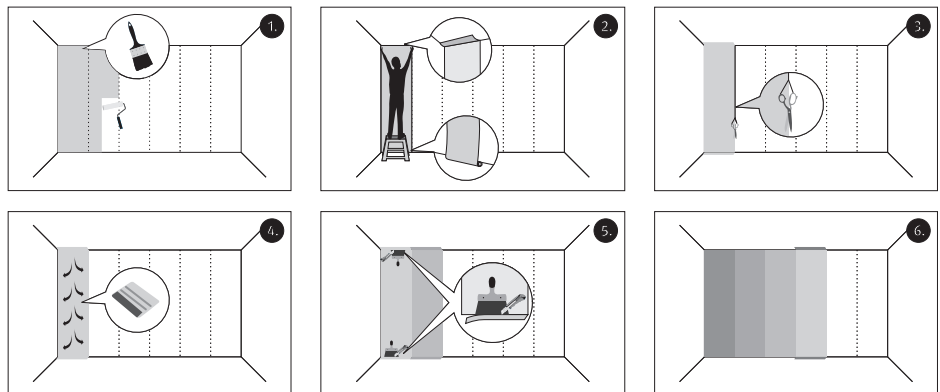
 **WASHABLE**

### BEFORE HANGING THE WALLPAPER

- Please check for pattern repeat or rolls sequence if needed (roll A, roll B, roll C).
- Always use paste suitable for non-woven wallpaper (Vlies adhesive).
- Be sure you have enough rolls to cover your wall before starting the installation.
- Please check for colour differences or debris on the wall. If the surface is not smooth enough, you have to prime the wall before applying the wallpaper in order to obtain a clean, dry wall.

### HOW TO INSTALL

1. Apply paste onto the wall with a roller. Put enough paste for about 2-3 lengths at a time. For edges, top and bottom use a brush to apply paste.
2. Now please take one length of wallpaper and apply it on the pasted wall. Please check you have a few extra centimeters of wallpaper left at the ceiling and floor and make sure the wallpaper strips are straight on the wall.
3. To check the straightness of the applied strip you could hang a pair of scissors on a string starting from the ceiling.
4. Smooth the wallpaper strips from top to bottom and from center outwards. Use a brush or roller and make sure that all air bubbles are removed.
5. Now remove the excess wallpaper from the ceiling and floor using a sharp cutter and a ruler.
6. Apply the next section by butting the edges together. Always check the pattern matches across both sections. After hanging, wash away excess paste with a damp soft cloth. Never rub the paste in order to avoid any damage.



### AFTER THE INSTALLATION

- You should ventilate the room well to dry the wallpaper.
- Our wallpaper is washable. This means you can clean up the fresh spots of paste by using a damp cloth or you can wipe easily the wallpaper to remove dust or possible stains.
- If you see some ink spots on the cloth, don't worry, the color resists. It is only some excess ink that comes off due to the printing process.
- Always wipe of the wallpaper vertically, never rub.
- Don't use any protective adhesive tape on the wallpaper surface.

\*\*For the "Installation Guide for 3 Rolls Non-Woven Wallpaper" please access the following link <https://mindtheg.com/en/installation-guides>



# MIND THE GAP

DESIGN & SUPPLY

## INSTALLATION GUIDE FOR 3 ROLLS NON-WOVEN WALLPAPER

NON-WOVEN WALLPAPER IS AN EASY TO HANG 'PASTE THE WALL' PRODUCT.  
STILL, WE STRONGLY RECOMMEND TO WORK WITH A PROFESSIONAL TO HANG THE WALLPAPER.

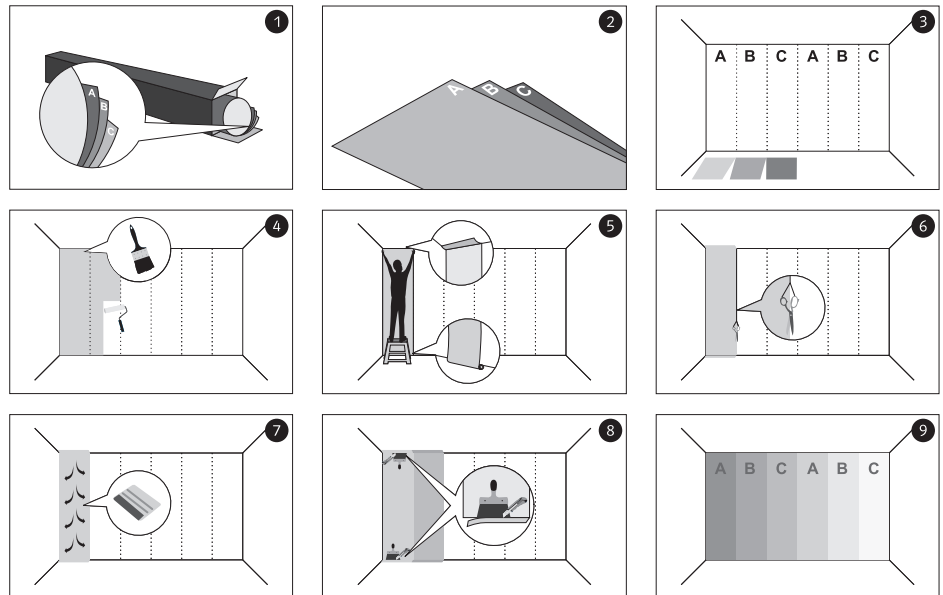
### Tools you'll need:

- Tape measure
- Sharp cutter
- Sponge
- Pencil
- Wallpaper paste (for non woven type)
- Straight ruler
- Paint brush
- Tray
- Bowl of water
- Wallpaper roller

- GOOD COLOUR FASTNESS
- PASTE THE WALL
- STRAIGHT MATCH
- WASHABLE

### BEFORE HANGING THE WALLPAPER

- Please check for pattern repetition and rolls sequence (Roll A, B, C).
- Always use paste suitable for non-woven wallpaper (Vlies adhesive).
- Be sure you have enough rolls to cover your wall before starting the installation.
- Please check for colour differences or debris on the wall. If the surface is not smooth enough, you have to prime the wall before applying the wallpaper in order to obtain a clean, dry wall.



### HOW TO INSTALL

1. Open the box to find the 3 rolls packed together, each measuring 3 meters long.
2. Find the information on the black strip for placing in the correct order - roll A, B, C.
3. Check the correct fitting by placing them on the floor.
4. Apply paste onto the wall with a roller. Put enough paste for about 2-3 lengths at a time. For edges, top and bottom use a brush to apply paste.
5. Now please take one length of wallpaper and apply it on the pasted wall. Please check you have a few extra centimeters of wallpaper left at the ceiling and floor and make sure the wallpaper strips are straight on the wall.
6. To check the straightness of the applied strip you could hang a pair of scissors on a string starting from the ceiling.
7. Smooth the wallpaper strips from top to bottom and from center outwards. Use a brush or roller and make sure that all air bubbles are removed.
8. Now remove the excess wallpaper from the ceiling and floor using a sharp cutter and a ruler.
9. Apply the next section by butting the edges together. Always check the pattern matches across both sections. After hanging, wash away excess paste with a damp soft cloth. Never rub the paste in order to avoid any damage.

### AFTER THE INSTALLATION

- You should ventilate the room well to dry the wallpaper.
- Our wallpaper is washable. This means you can clean up the fresh spots of paste by using a damp cloth or you can wipe easily the wallpaper to remove dust or possible stains.
- If you see some ink spots on the cloth, don't worry, the color resists. It is only some excess ink that comes off due to the printing process.
- Always wipe of the wallpaper vertically, never rub. Don't use any protective adhesive tape on the wallpaper surface.