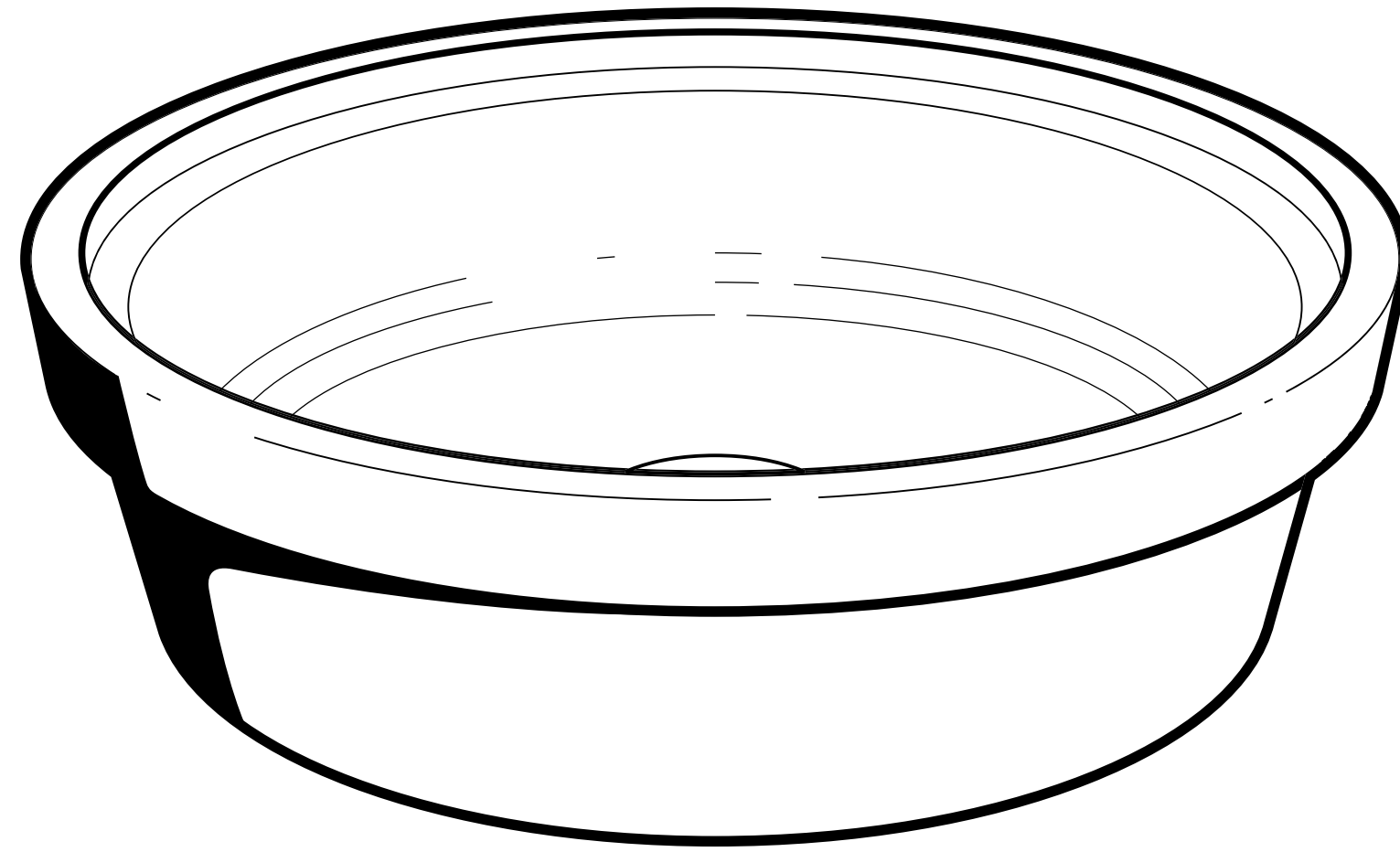



lyon beton



 share some pics of your interior #lyonbeton

singleton  
**bak - concrete sink**

## general comments

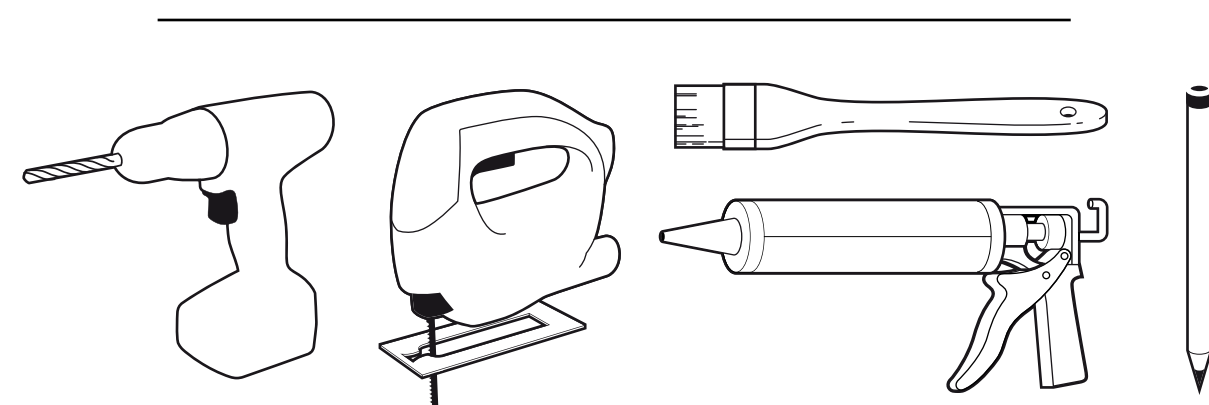
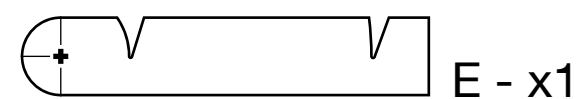
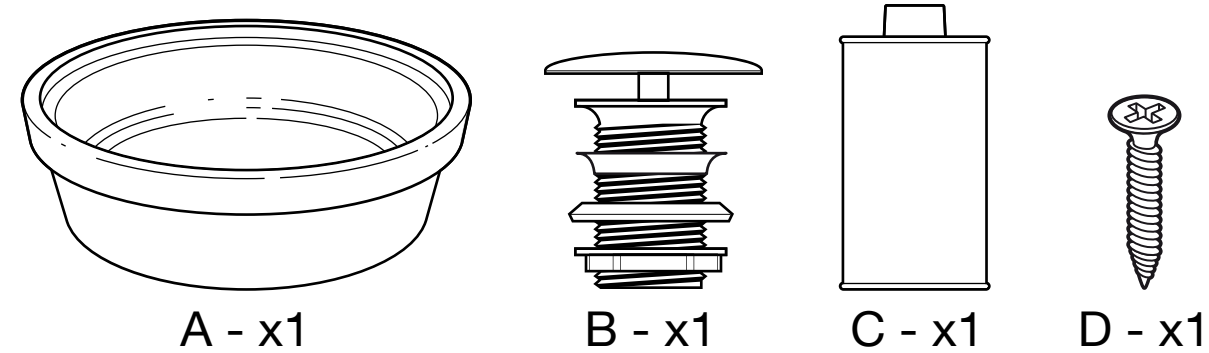
Read the instruction carefully before assembly.  
Identify the different parts of the product. Group and check the hardware fittings.  
Get the necessary and keep the area clear before you begin assembly.  
The assembly should be carried out by a qualified person because wrong assembly may lead to that the furniture topples or falls resulting in personal injury or damage.  
Proceed to assemble. Never force the fittings.  
Re-tighten the screws after some time of usage.  
Keep the assembly instructions for future reference. They could facilitate communication with your store or dealer, in the event of any query.

## distinctive features

The article that you have just acquired is hand-crafted.  
It is made from lightened fibrous concrete (less than 2 tons per m<sup>3</sup>) reinforced with a steel frame structure. It is composed of natural materials (cement, sand, water, steel ad fibres) and is hand made.  
The pores, microcracks and possible variation in colour are inherent characteristics of the material used and evidence of handicraft, which give this furniture its unique appearance and charm. For these reasons, this article cannot be returned or exchanged.

## maintenance and care

Do not leave spills unattended.  
Immediately clean coloured stains (such as red wine, oil, tea and coffee) with a wet sponge and soap.  
Never use abrasive product, strong acid detergents, bleaching agents, metal brushes or high-pressure cleaners. Preferably use a soft clean dry cloth.  
For good protection, apply wax or stone preserve products regularly.



## traitement de la vasque avant installation

### français

La surface à traiter doit être propre et complètement sèche.  
Les outils adaptés : chiffon, pinceau. Sans expérience au préalable et dans le doute, il est conseillé de faire un test sur une surface d'essai. Appliquer une quantité copieuse et uniforme de Lithofin MN Fleckstop jusqu'à ce que la surface apparaisse mouillée. Laisser pénétrer le produit pendant 15 minutes environ. Répartir le surplus de produit et éliminer les flaques d'eau et les traces ou marques éventuelles. Enlever tout excédent de produit avec un chiffon sec dans les 30 minutes suivant l'application.

**Important : le produit doit pénétrer dans la surface. Ne pas laisser sécher l'excédent de produit sur la surface.**

**NB :** Le verre, la céramique et les surfaces sensibles aux solvants (vernis, bois et similaires) doivent être protégés.

**Température de traitement :** la température des surfaces à traiter doit se situer entre 10°C et 25°C.

**Temps de séchage :** la surface sera sèche au bout de 2 heures environ. Séchage complet après 24 heures. Durant cette période, essuyer immédiatement toutes projections. L'efficacité maximale de l'imprégnation est atteinte au bout de 5 jours.

Répéter l'opération tous les 6 mois pour une efficacité maximale.

## sink treatment before installation

### english

The surface to be treated must be clean and completely dry.  
Suitable application tools : cloth, brush or sponge.  
Without prior experience or in cases of doubt, try the product in an inconspicuous area prior to use. Apply Lithofin MN Stain-Stop generously until the surface appears wet. Allow the product to penetrate for approx. 15 minutes. Redistribute the excess product and remove puddles and streaks. On highly absorbent materials or on dry spots more product may have to be added. Remove all remaining product residues within 30 minutes using a dry cloth.

**Attention! the liquid product must penetrate into the stone. Do not allow the product to dry on the surface.**

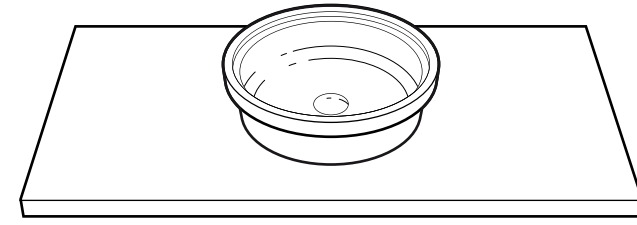
**Please Note :** Glass, ceramics, and surfaces sensitive to solvents (varnishes, wood, etc.) must be protected against splashes.

**Application Temperature :** the temperature of the surface should be between 10°C and 25°C.

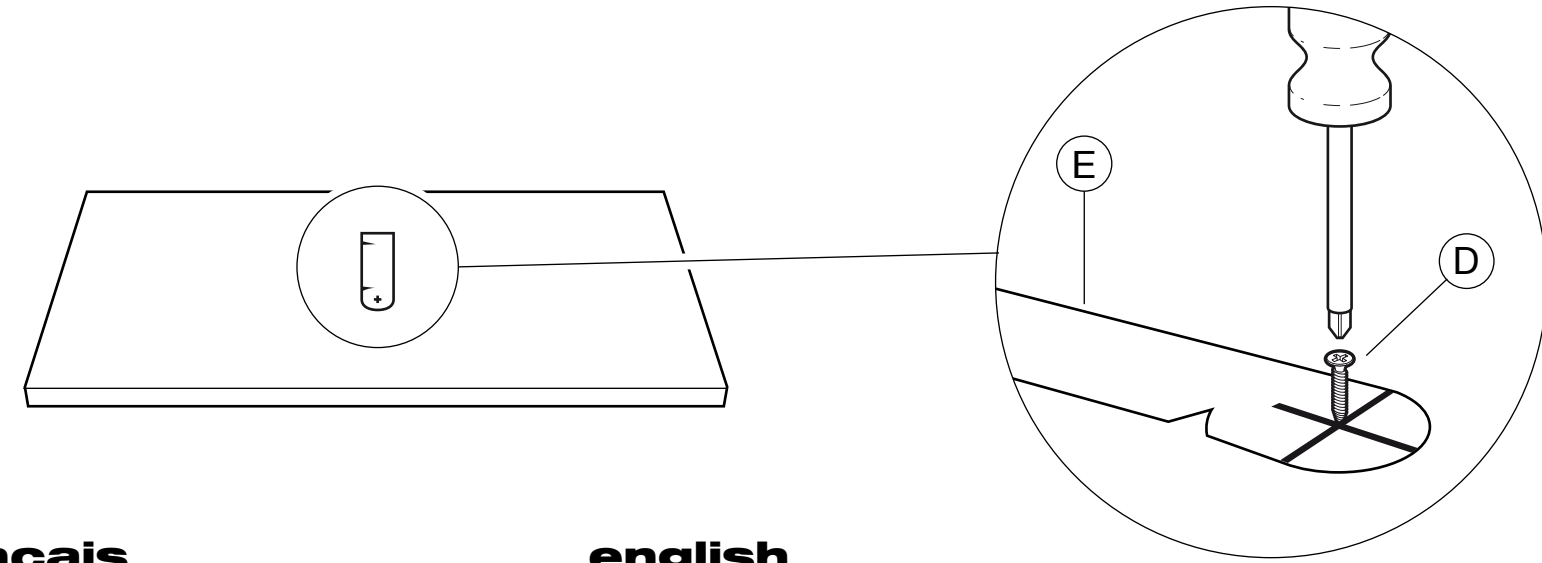
**Drying Time :** after approx. 2 hours surface will be dry and ready to be stepped on carefully. Drying process will be complete after 24 hours. During this period, wipe up any spills immediately. The full effectiveness of the impregnator is reached after 5 days.

Repeat every 6 months for maximum effectiveness.

# option.a countertop / posée



1



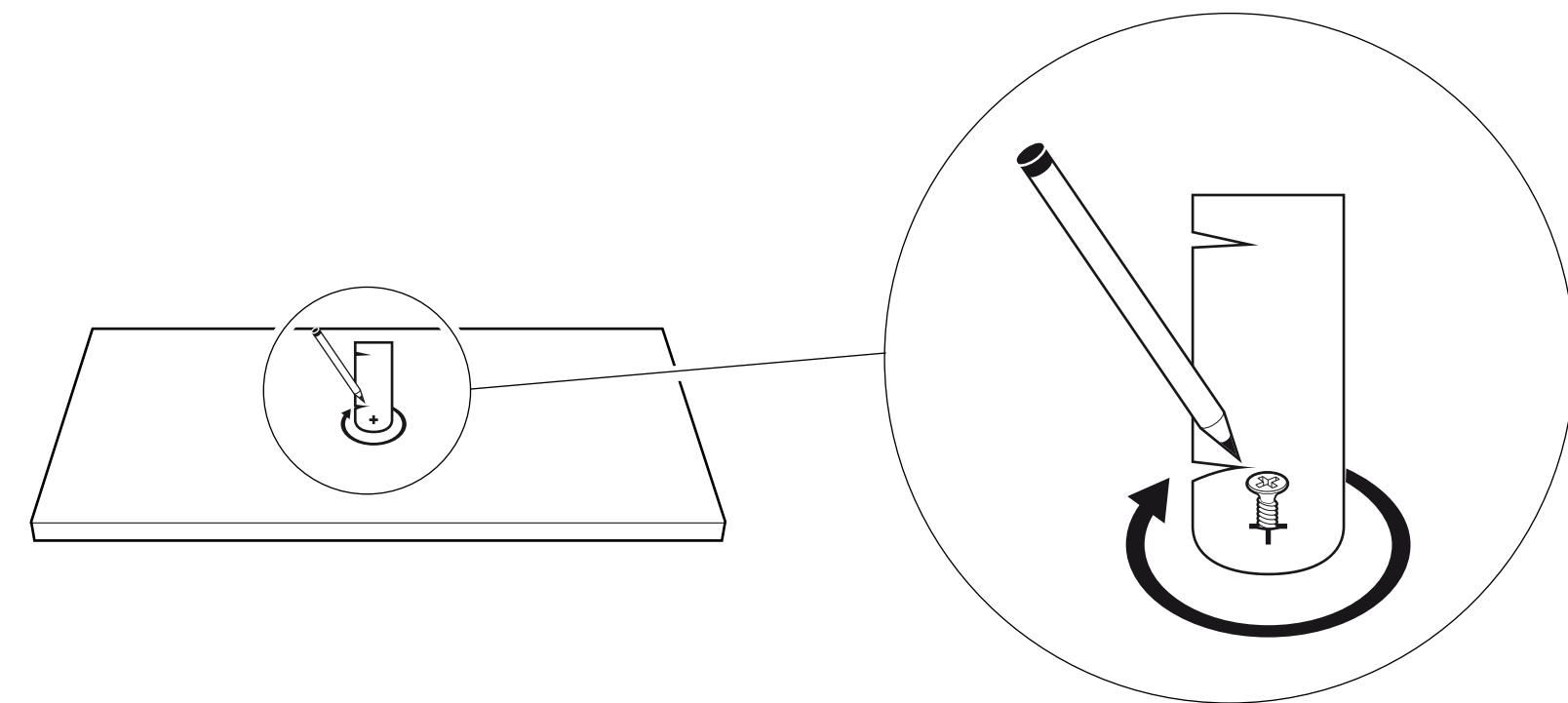
## français

ATTENTION: la vis fournie convient aux plateaux en bois.  
Pour tout autre support, d'autres outils peuvent être nécessaires.

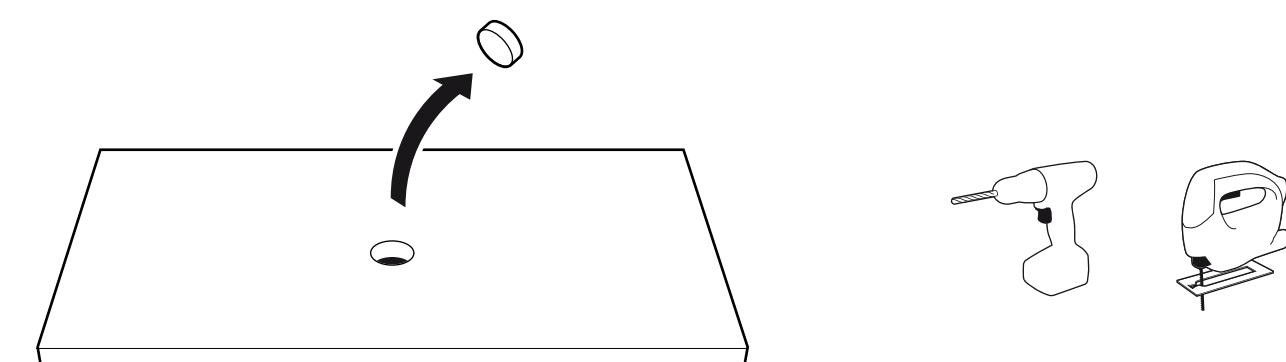
## english

CAUTION: The screw provided is suitable for wooden boards.  
For other medium, other tools may be needed.

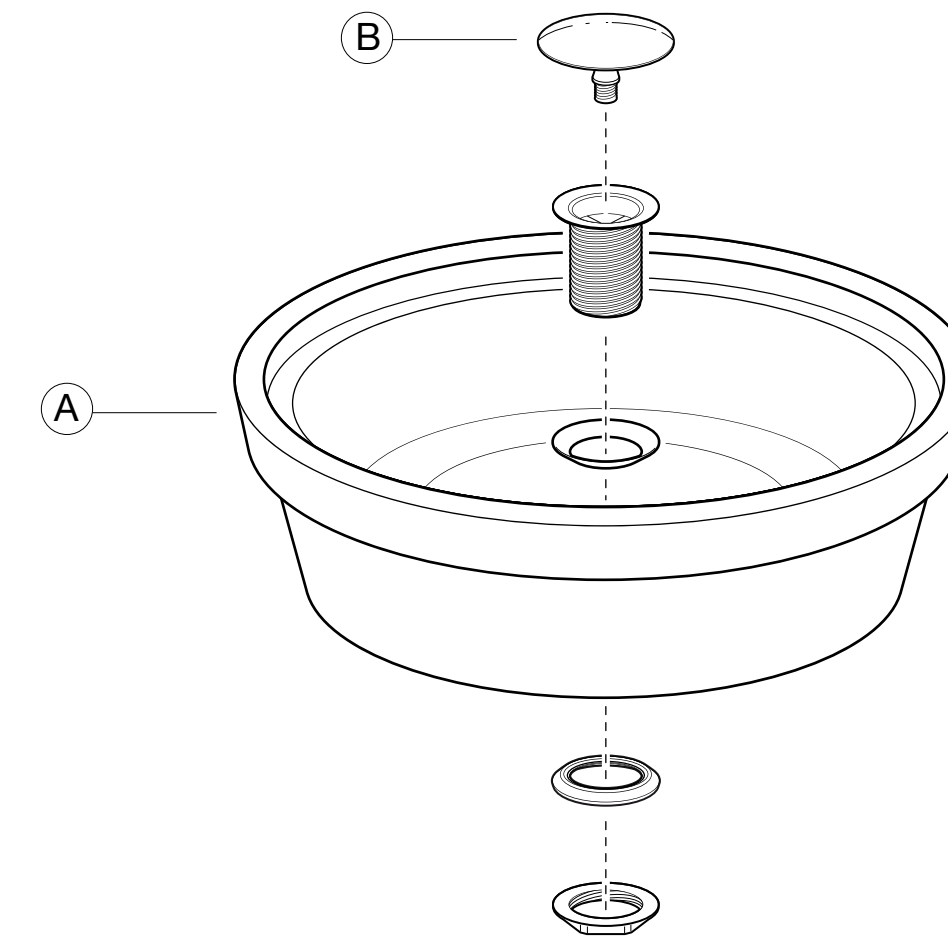
2



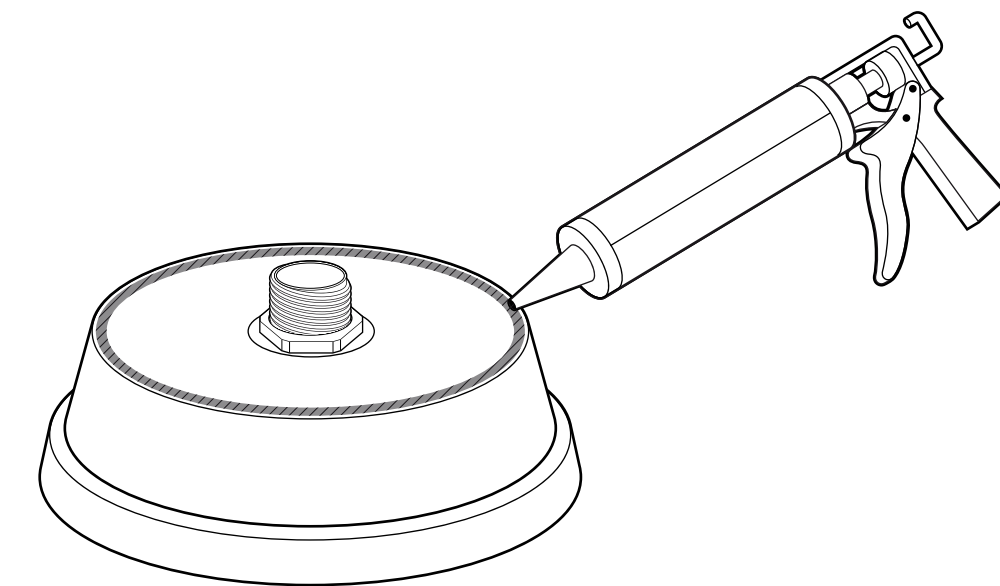
3



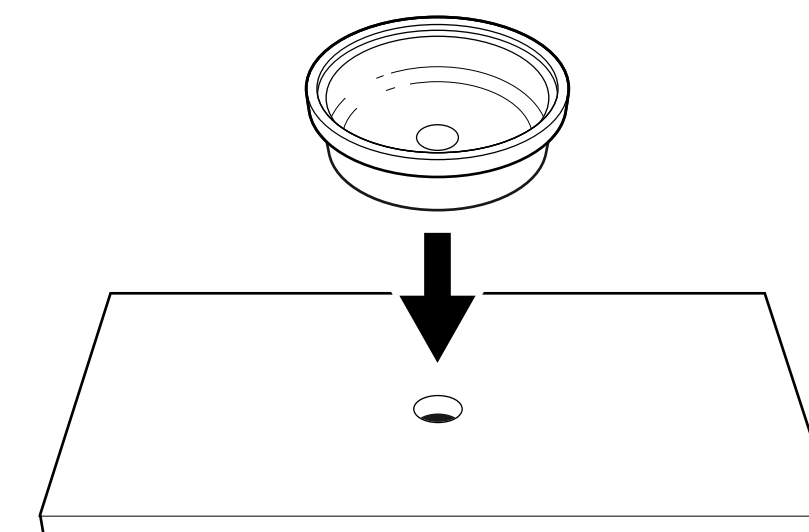
4



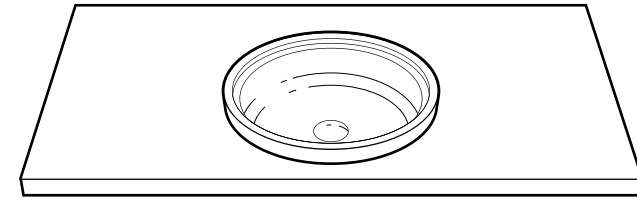
5



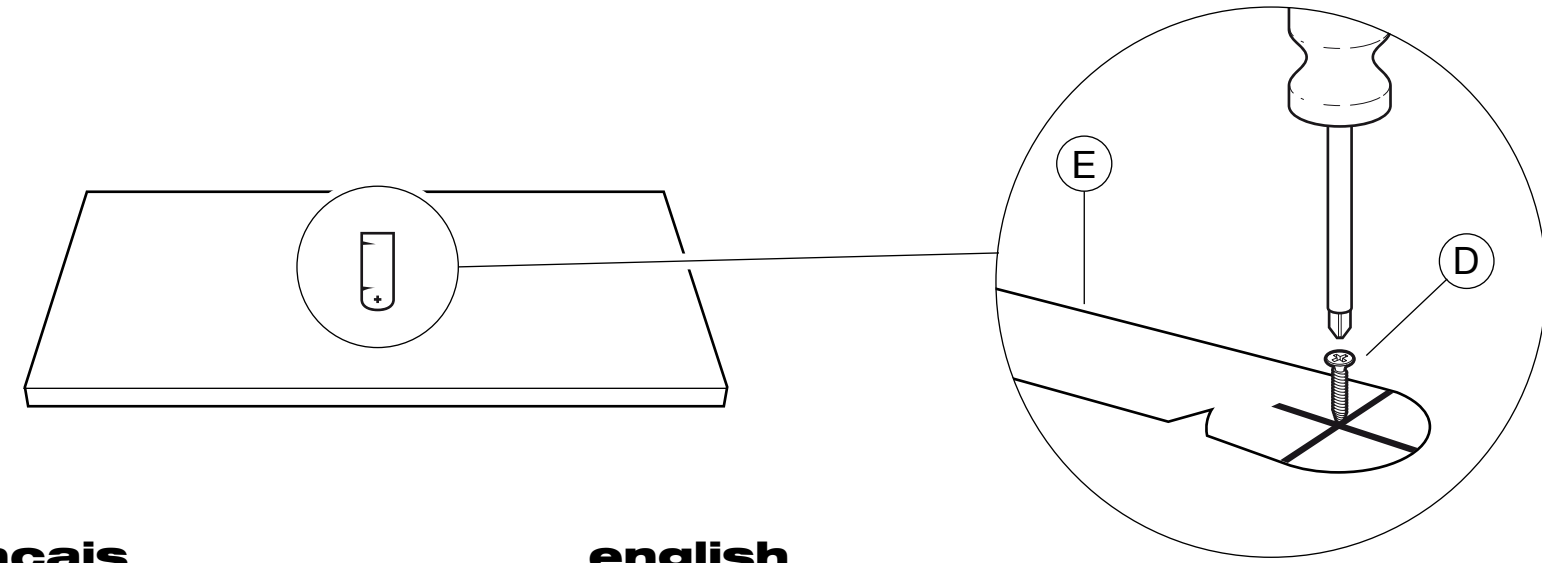
6



# option.b built-in / encastrée



1



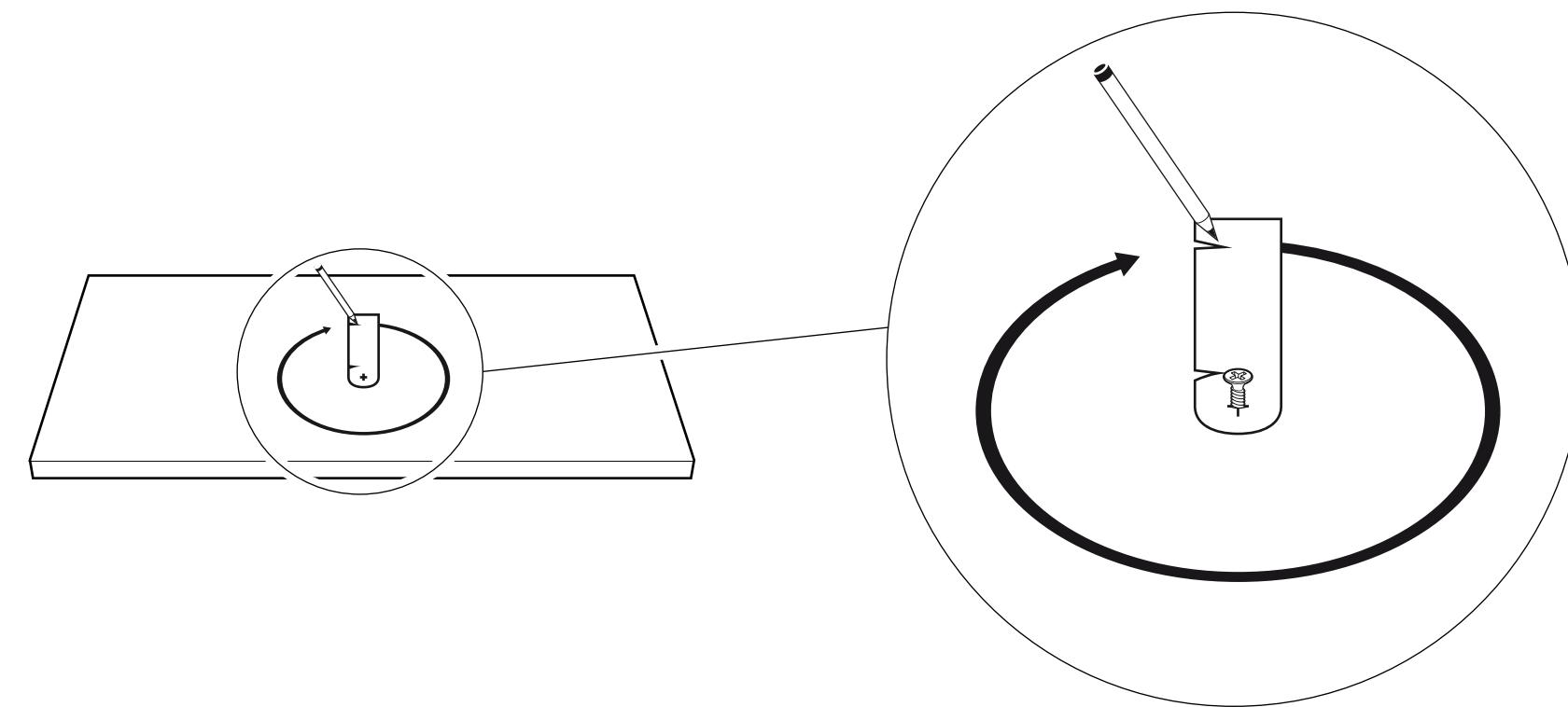
## français

ATTENTION: la vis fournie convient aux plateaux en bois.  
Pour tout autre support, d'autres outils peuvent être nécessaires.

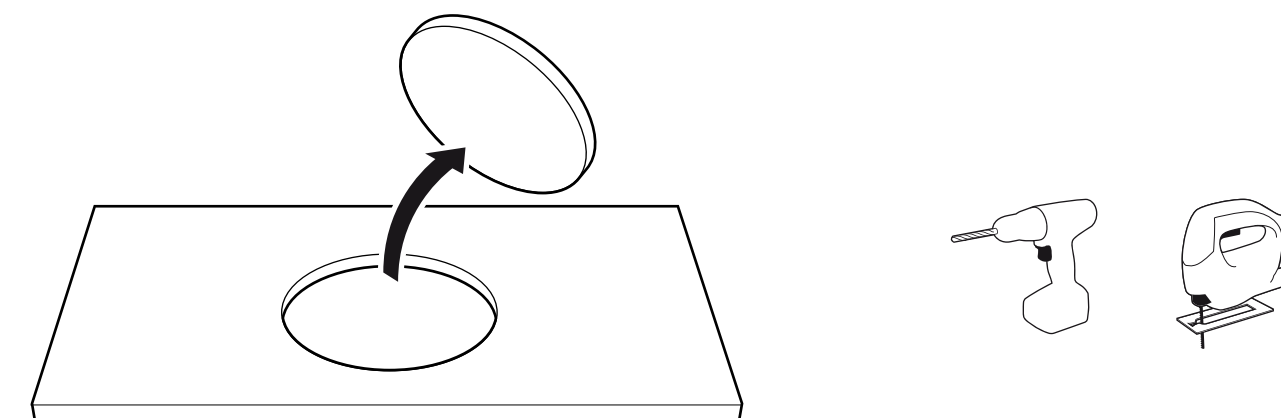
## english

CAUTION: The screw provided is suitable for wooden boards.  
For other medium, other tools may be needed.

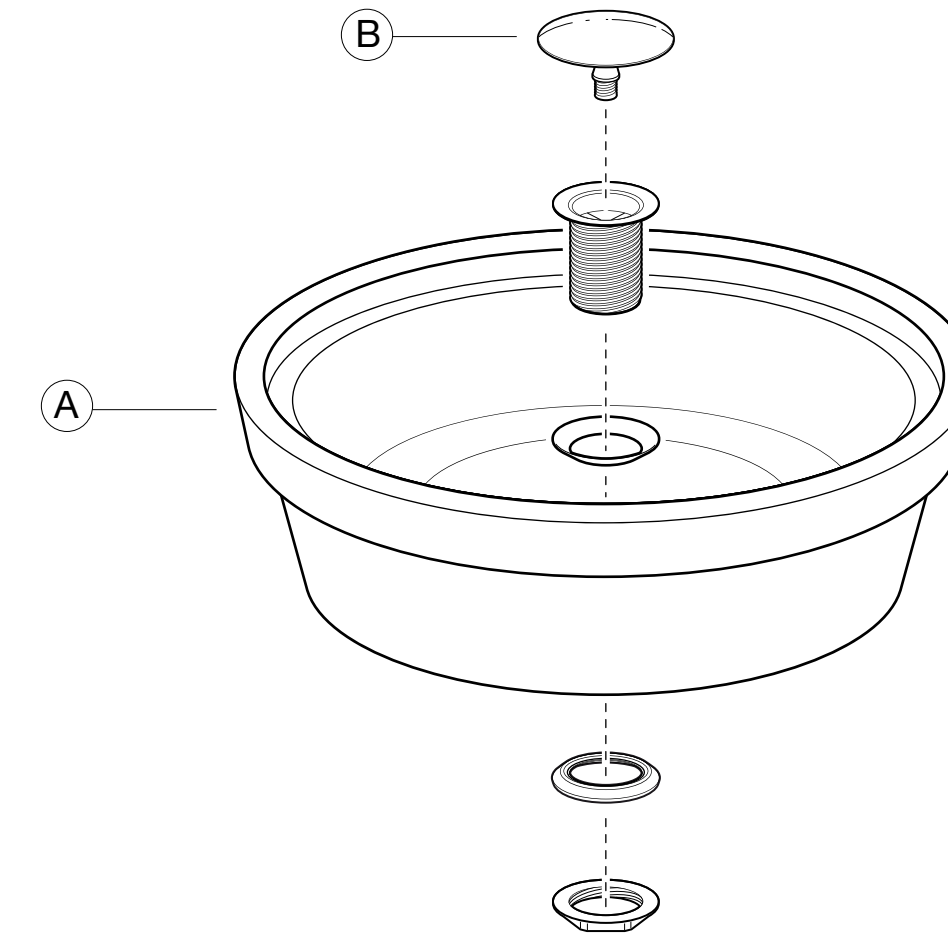
2



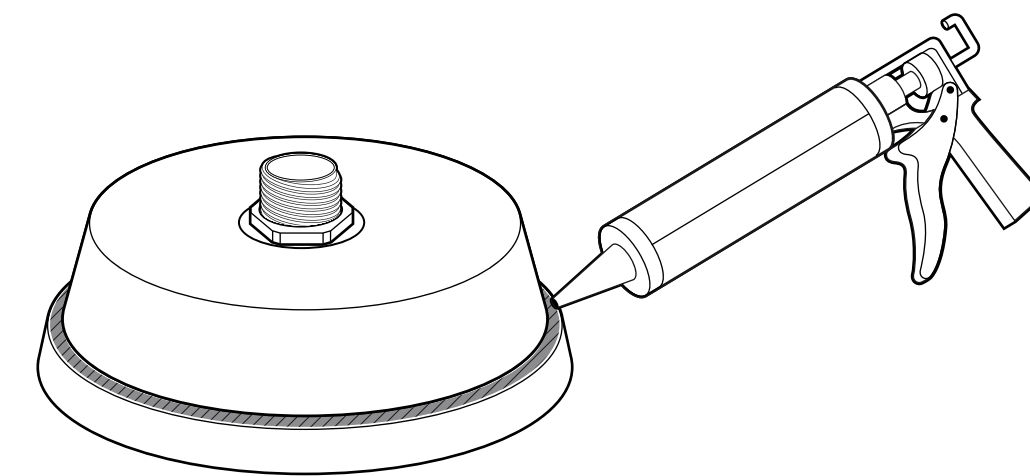
3



4



5



6

