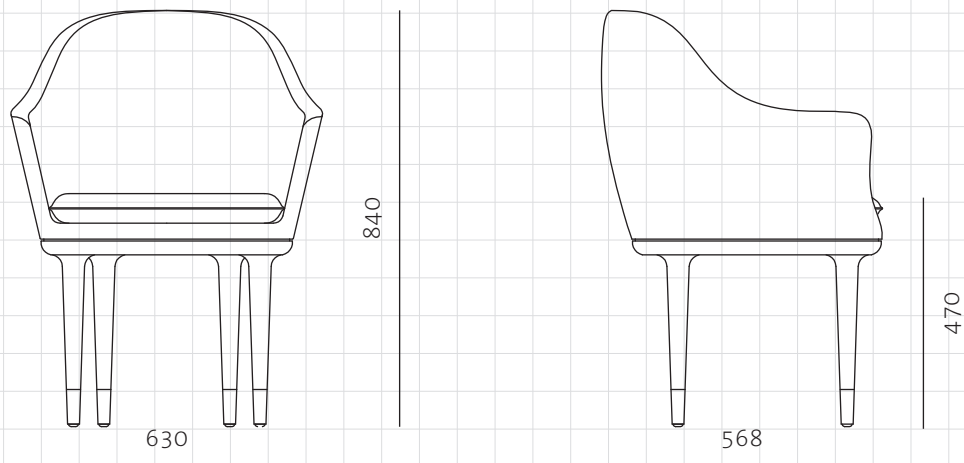


Lunar Dining Chair Large



CODE

LN-S211-L

DIMENSIONS

W630 x D568 x H840mm

NET WEIGHT

Seating height: 470mm

ENVIRONMENT

13.0 kg

MATERIALS

Indoor

Solid wood legs, Upholstered moulded foam frame, Upholstered cushion,

Brass plated stainless steel

*Please refer to website or contact your local representative for complete material swatches.

SHIPPING

Package Assembled

Package Qty 1 pcs/box

Packaging	Measurement (mm)	Volume (cbm)	Gross Weight (kg)
FCL	W695 x D633 x H925	0.41	18.0
LCL/AIR	W735 x D673 x H1015	0.50	25.0