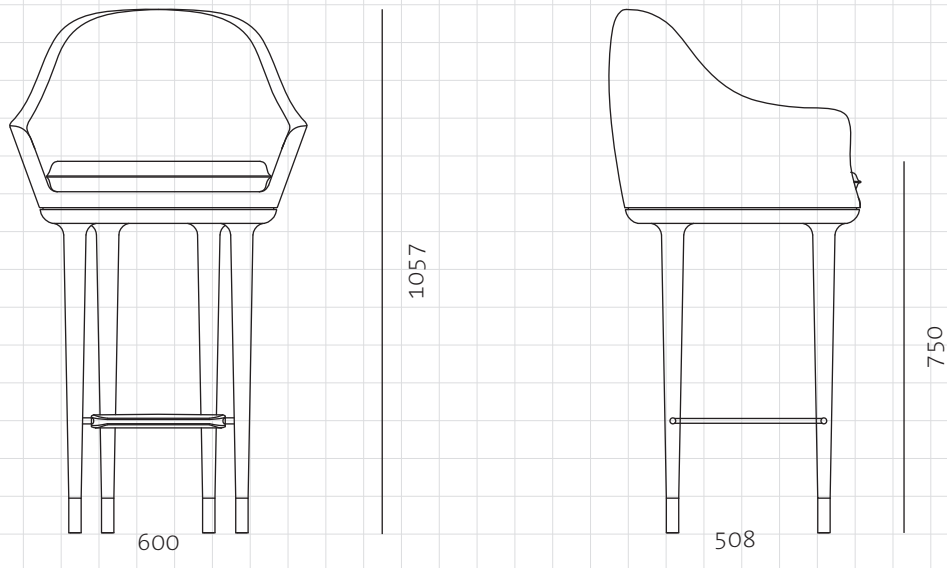


Lunar Bar Chair SH750



CODE

LN-S311-750

DIMENSIONS

W600 x D508 x H1057mm

Seating height: 750mm

NET WEIGHT

14.5 kg

ENVIRONMENT

Indoor

MATERIALS

Solid wood legs, Upholstered moulded foam frame, Upholstered cushion,
Solid wood foot rest, Brass plated stainless steel

*Please refer to website or contact your local representative for complete material switches.

SHIPPING

Package	Assembled		
Package Qty	1 pcs/box		
Packaging	Measurement (mm)	Volume (cbm)	Gross Weight (kg)
FCL	W665 x D573 x H1142	0.44	23.0
LCL/AIR	W685 x D593 x H1237	0.50	27.0