

MAISON VALENTINA

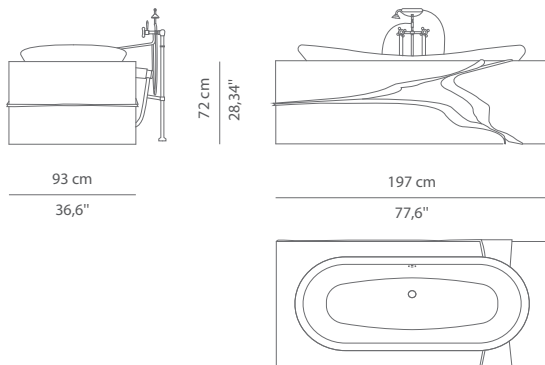
LUXURY BATHROOMS

BATHTUBS WASH BASIN CASEGOODS LIGHTING UPHOLSTERY SURFACE ACCESSORIES



LAPIAZ | BATHTUB

Lapiaz Bathtub is inspired in the typical karst formations produced by the dissolution of limestone rocks. This unique bathtub enhances its gold and rich interiors with a gold painted tear that contrast with the mirrored effect of the stainless steel. Definitely, a statement bathtub that stands out in any bathroom project.



DIMENSIONS

WIDTH: 197 cm | 77,6"
DEPTH: 93 cm | 36,6"
HEIGHT: 72 cm | 28,34"

MATERIALS

Structure: Fiber glass, Black lacquered high gloss with a sheet of stainless steel | Gold painted tears, High gloss varnish
Tub: Casted iron, High gloss black lacquered
Water drainage: Floor
Clic clac: Gold plated (included);
Overflow Valve: Gold Plated (included)

PACKAGING 1

DIMENSIONS: W. 215 cm | 84,65" D. 93 cm | 36,61" H. 105 cm | 41,34"
VOLUME: 2,10 m³ | 74,14 ft³
WEIGHT: 175 kg | 385,8 lb

PACKAGING 2

DIMENSIONS: W. 185 cm | 72,83" D. 75 cm | 29,53" H. 80 cm | 31,50"
VOLUME: 1,11 m³ | 39,20 ft³
WEIGHT: 190 kg | 418,9 lb

LEAD TIME

Production time is between 10 to 12 weeks for MAISON VALENTINA collections.
Delivery time is not included.
All of our furniture can be made to measure and it is available in different finishes.
Please note that the colours and materials shown are for reference only. Small variations may occur.