

# Technical Index

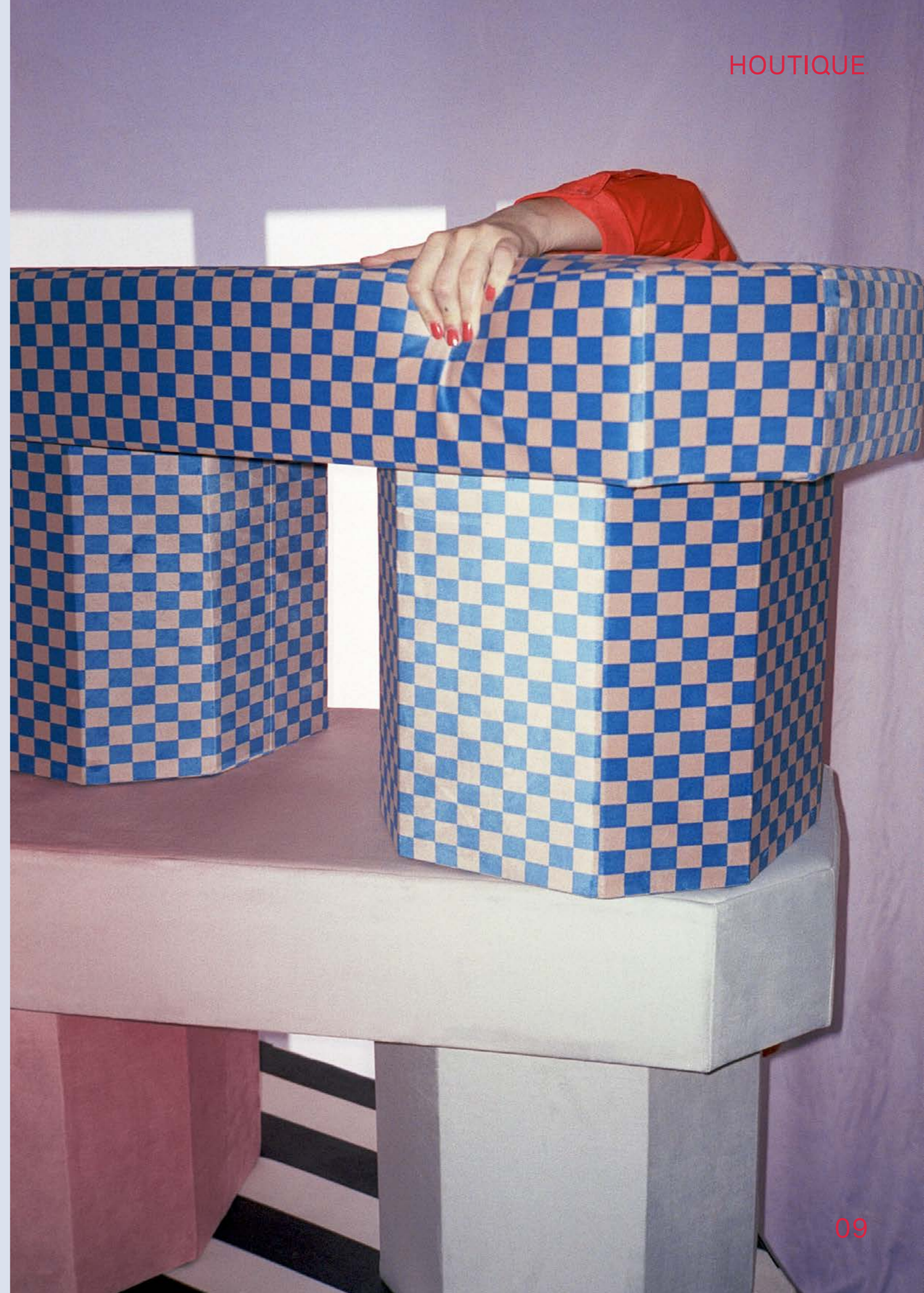
23

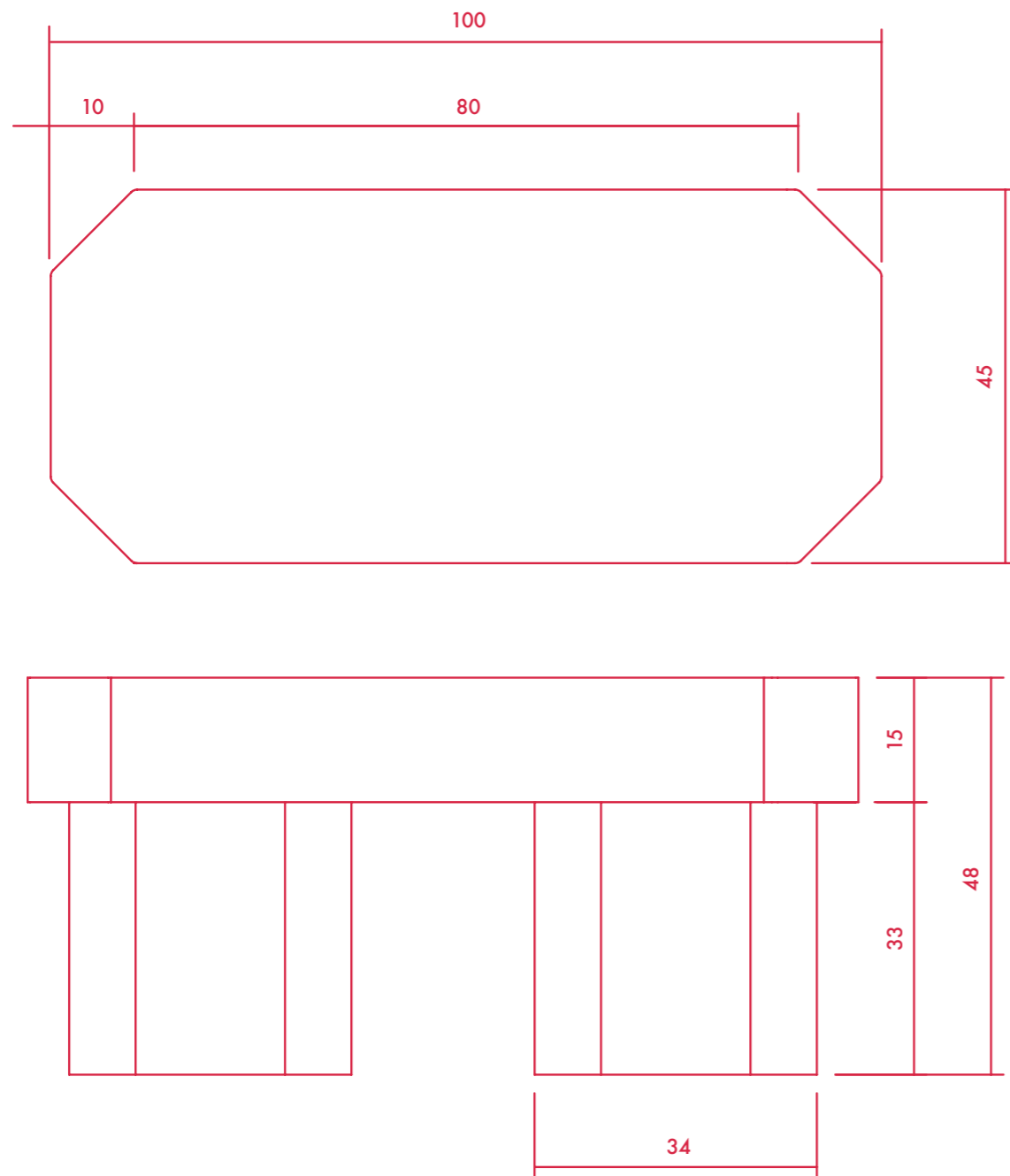
Discover HOUTIQUE's Experimental Atelier, an imaginary space located in the purest nature where aesthetics and ethics are brought together through constant curiosity.

A space for nature, for creation, for imagination, for beauty.









## VIVA BENCH

Designed by Carolina Micó.  
Made in Spain.

Upholstered bench in  
flame-retardant velvet,  
with a wooden frame and  
high-density foam  
(35 kg super soft hazelnut).

For indoor use only.

**MATER**

HOUTIQUE.

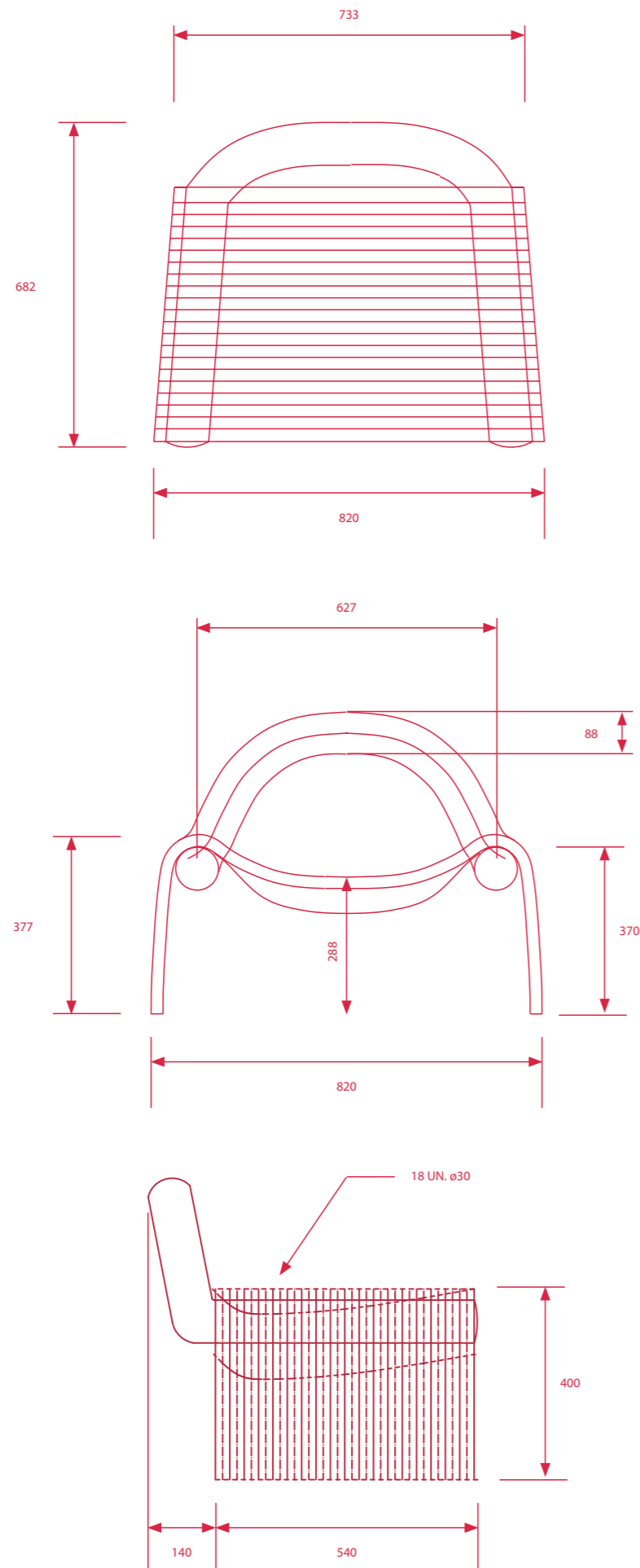


MATER  
BY PATRICIA BUSTOS

013







## MATER SEAT

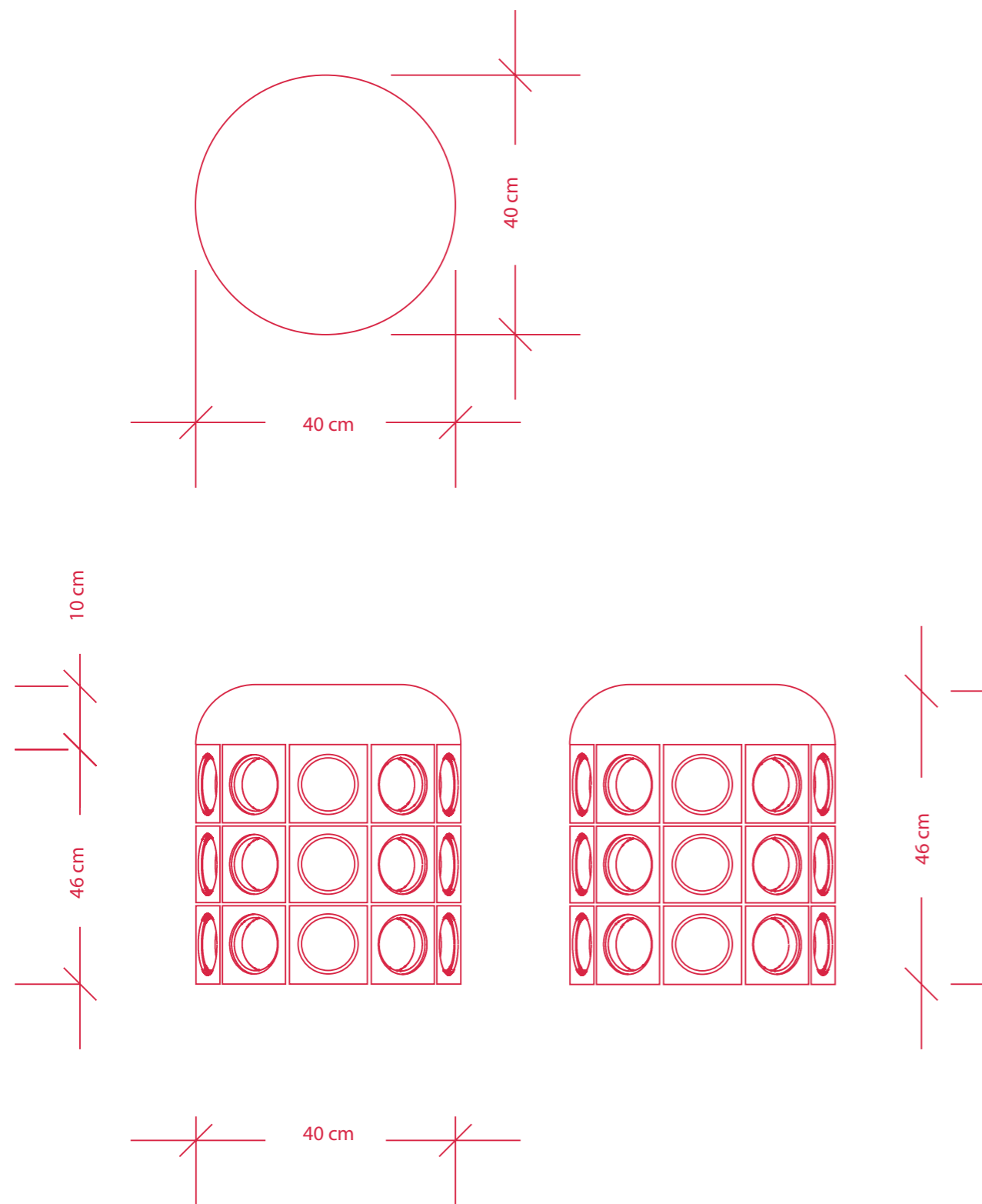
Designed by Patricia Bustos.  
Made in Spain.

Natural rattan seat,  
matte varnish finish  
color gradient and backrest  
upholstered in synthetic pile  
fabric in the shape Misa.

Interior use



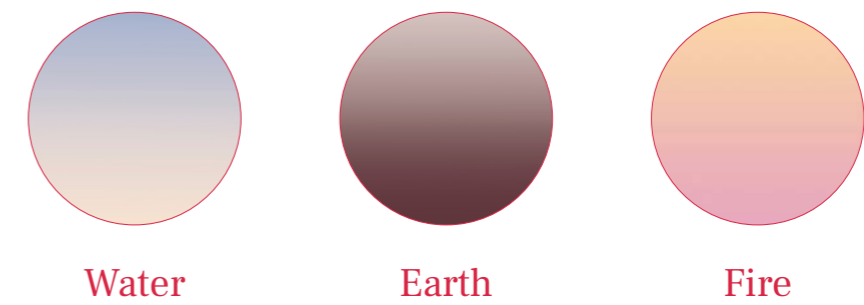




# ELEMENTO

Designed by Patricia Bustos.  
Made in Spain.

Resin structure.  
Painted methacrylate  
gradient interior.  
(3 color options)



Upholstered in Houclette fabric  
80,000 Martindale

Interior use

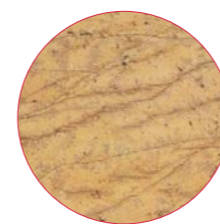
High hardness and self-extinguishing.  
Polyurethane acrylic enamel  
paint with flame retardant varnish.

## BASE STOOL

Designed by Houtique.  
Made in Spain.

Marble base available in  
two different textures:  
Smooth and grooved.

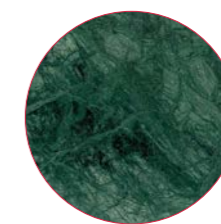
Option in four natural stones:  
Triana Yellow / Travertine White  
Guatemala Green / Alicante Red



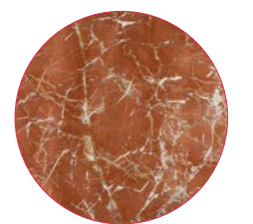
Triana Yellow



Travertine White



Guatemala Green



Alicante Red

Upholstered in Houclette fabric  
80,000 Martindale

Interior use.

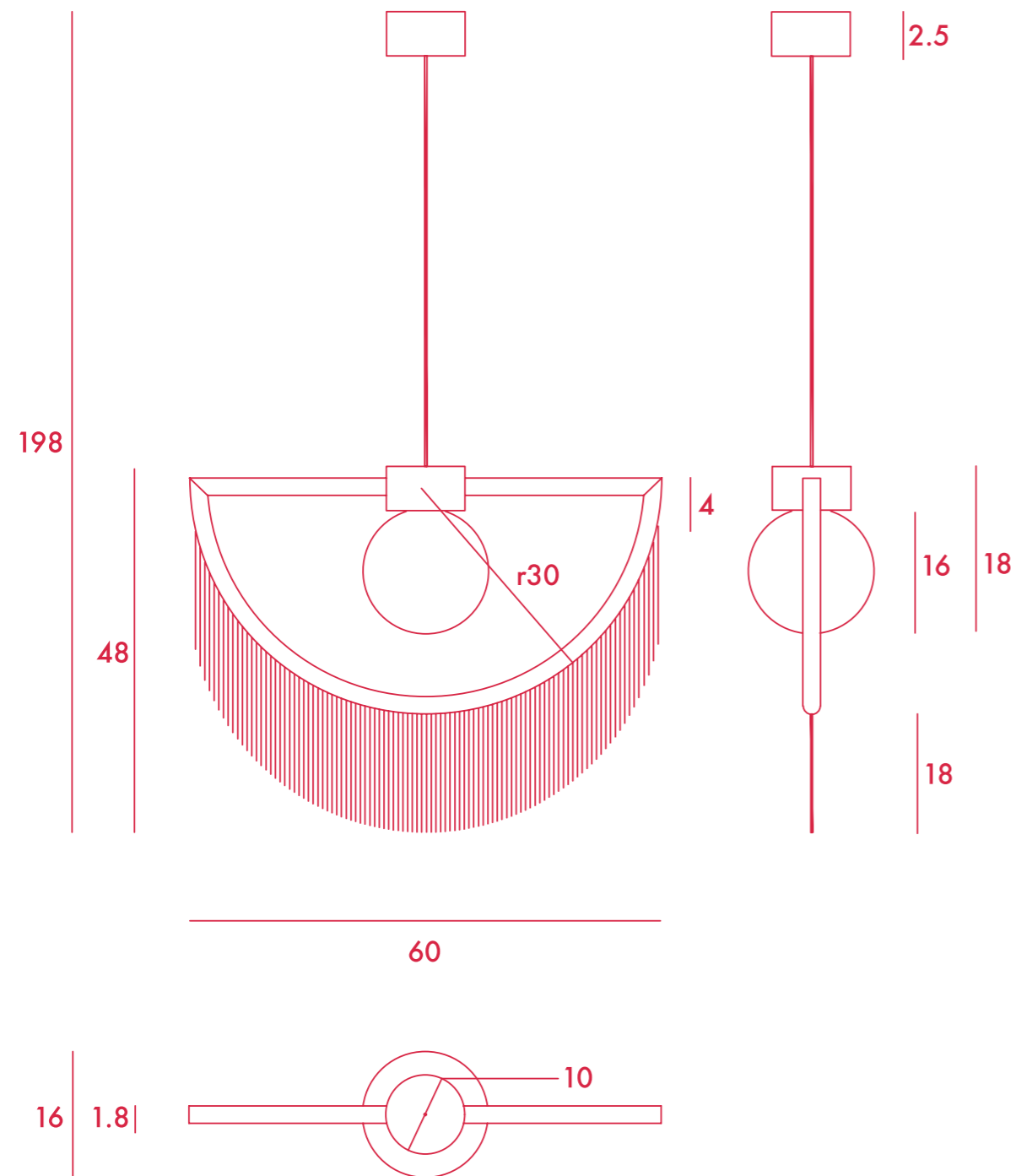
4 metal tube legs (black).

# WINK CEILING LAMP

WINK CEILING LAMP  
BY MASQUESPACIO







# WINK CEILING LAMP

Designed by Masquespacio.  
Made in Spain.

Ceiling lamp post-modernist style with metal structure and glass tulip.  
Transparent security cable 1.5m  
Detachable fringes.  
Led light technology - Bulb not included.  
Flame retardant treated fringes.  
CE In compliance with EN60598-1 and EN60598-2-4 and with current low Voltage Directives 2006/95/EC.  
24 Carats gold and glass tulip.

For indoor use only.

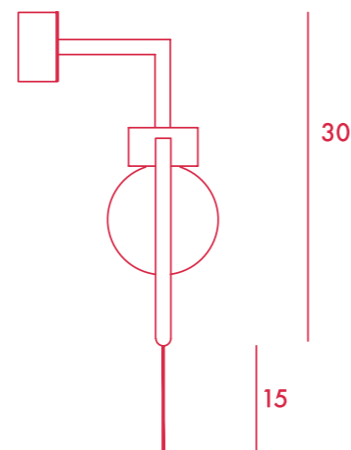
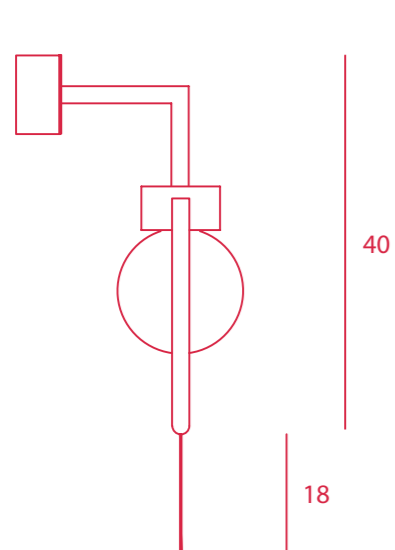
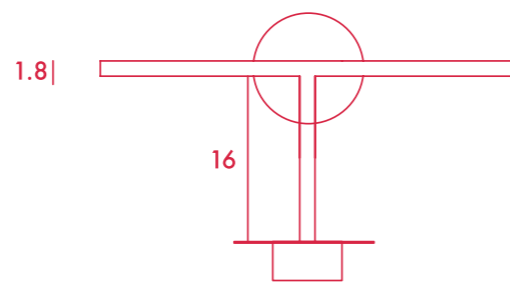
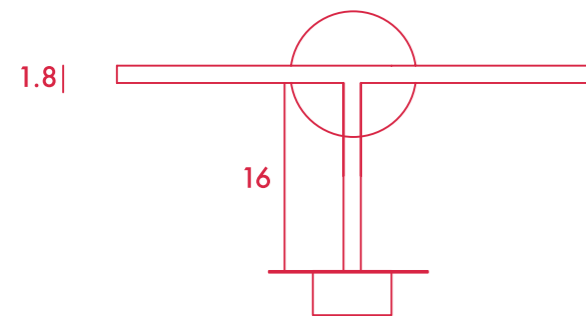
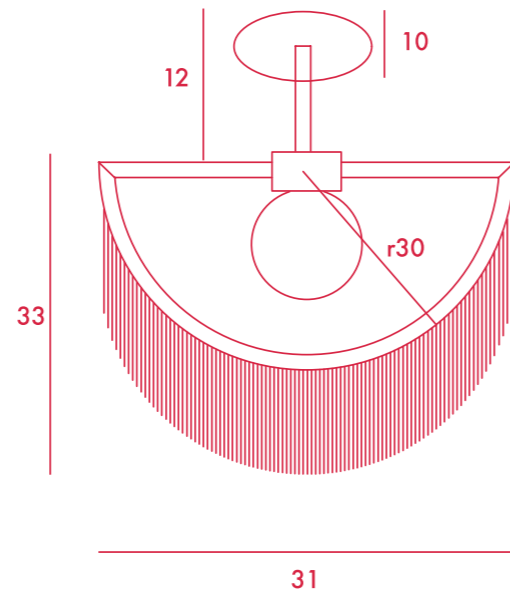
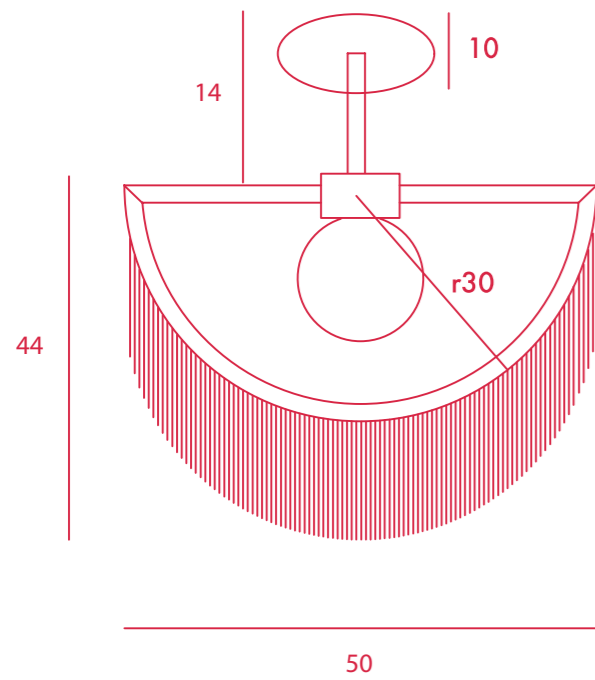


# WINK WALL LAMP



WINK WALL LAMP  
BY MASQUESPACIO





# WINK WALL LAMP

Designed by Masquespacio.  
Made in Spain.

Post-modernist style with metal structure and glass tulip.  
Detachable fringes for easy washing (by hand).  
Led light technology - Bulb not included.  
Flame retardant treated fringes.  
CE In compliance with EN60598-1 and EN60598-2-4 and with current low Voltage Directives 2006/95/EC.  
24 Carats gold and glass tulip.

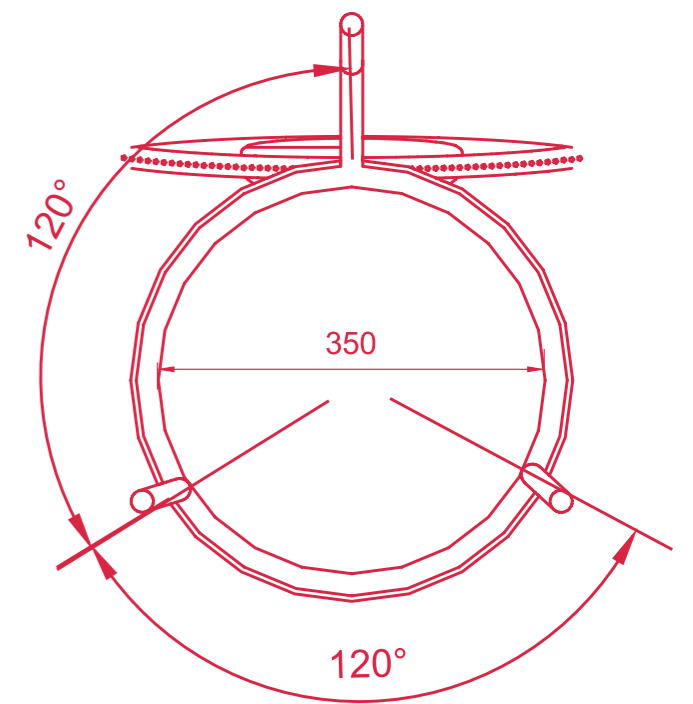
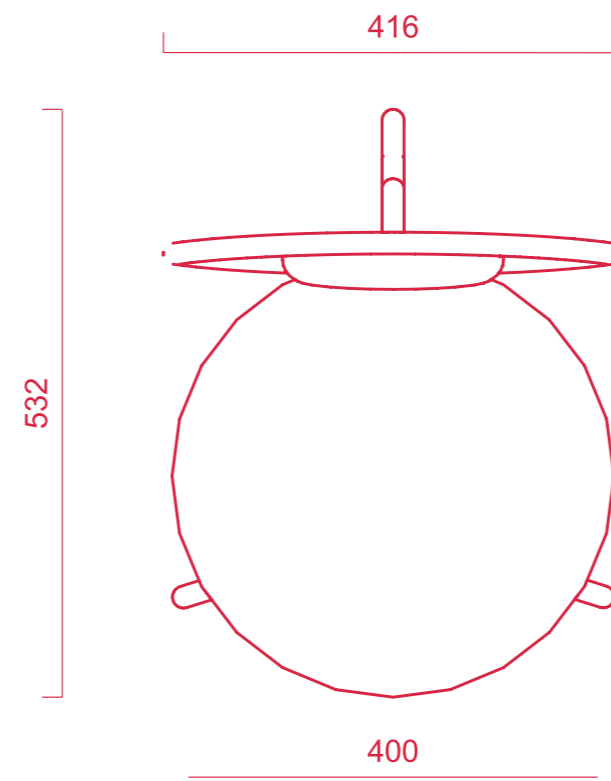
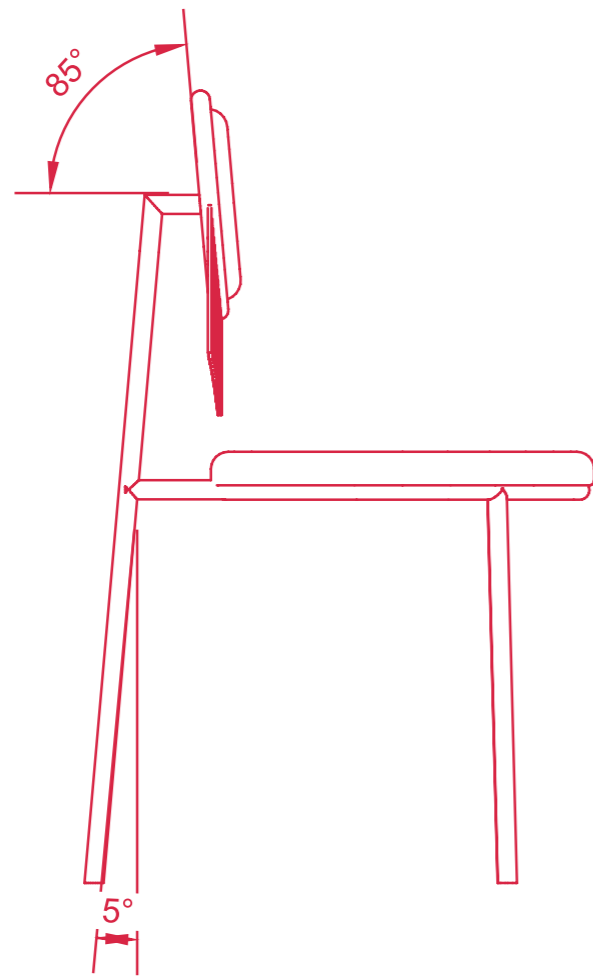
For indoor use only.

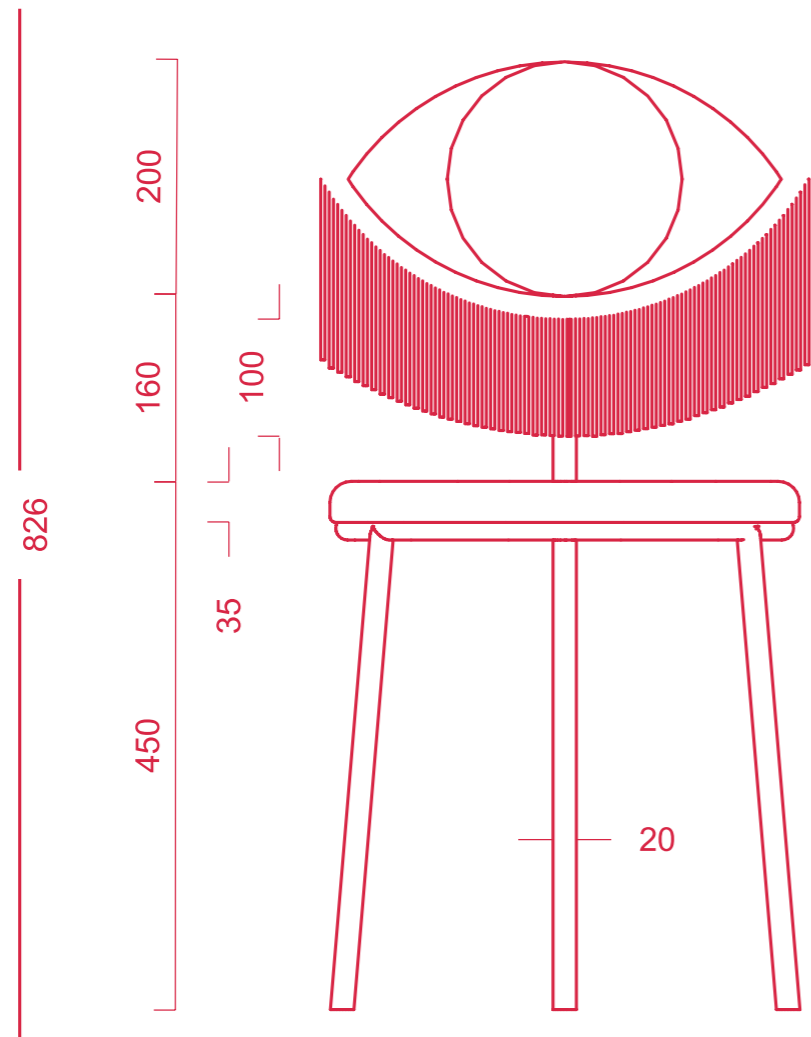
**WINK**

**WINK CHAIR  
BY MASQUESPACIO**









## WINK CHAIR

Designed by Masquespacio.  
Made in Spain.

Structure: 20 mm robust curved iron  
tubebathed in 24 Carats gold.  
Approvals: Qualicoat License P-0504 /  
GSB License 179A.

Contact welding on each rod and  
subsequent sanding to avoid  
any noise between rods and  
protruding metals.

Seat and backrest with MDF Board  
padded with HR foam of 25 Kg.  
Upholstery Velvet 100% polyester  
and backing with fringes . 345 gr/m.  
50000 Martindale cycles.

Dimensions:  
Height: 83 cm  
Widht: 42 cm

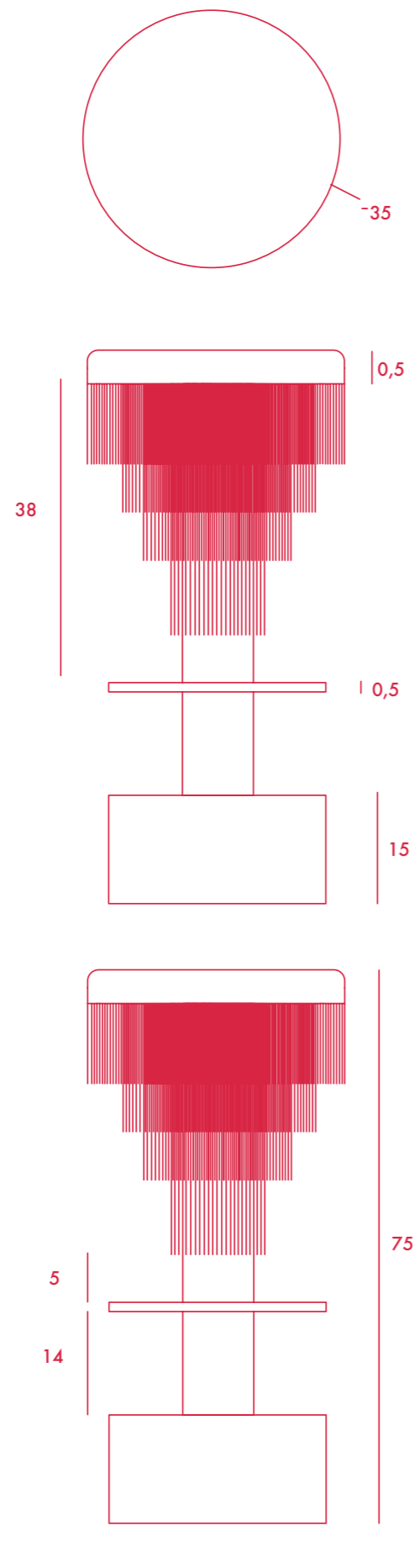
# DÉJÀ VU STOOL

DÉJÀ VU STOOL  
BY MASQUESPACIO









## DÉJÀ VU STOOL

Designed by Masquespacio.  
Made in Spain.

Seat made of particleboard with fire retardant 35 kg TEAD rubber.  
Velvet: 100% polyester with backing.  
345 gr / m . 50000 Martindale cycles.  
Circular Base and Metallic footrest covered in Chrome.  
24 K gold-plated metal center tube.  
14575

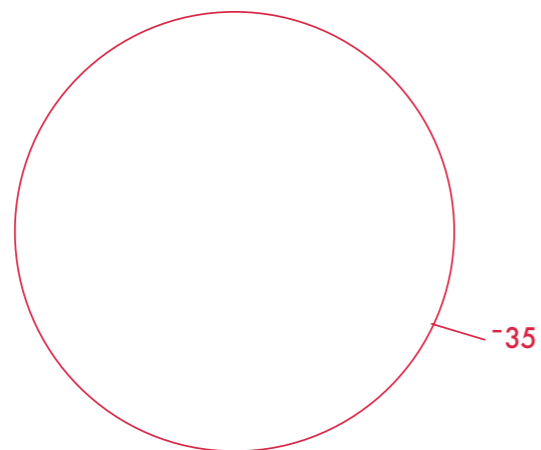
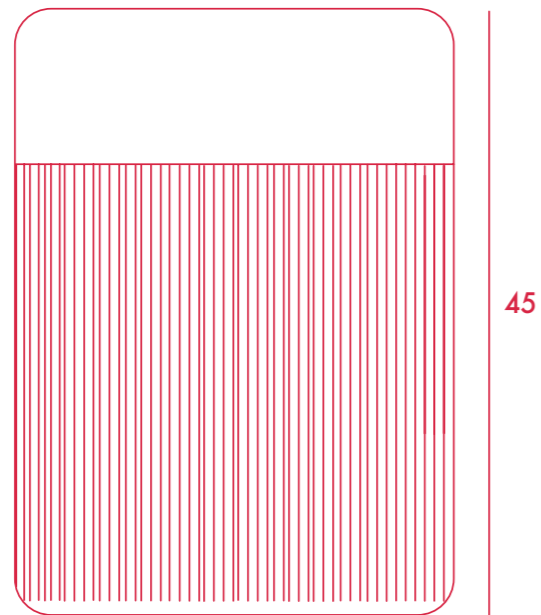
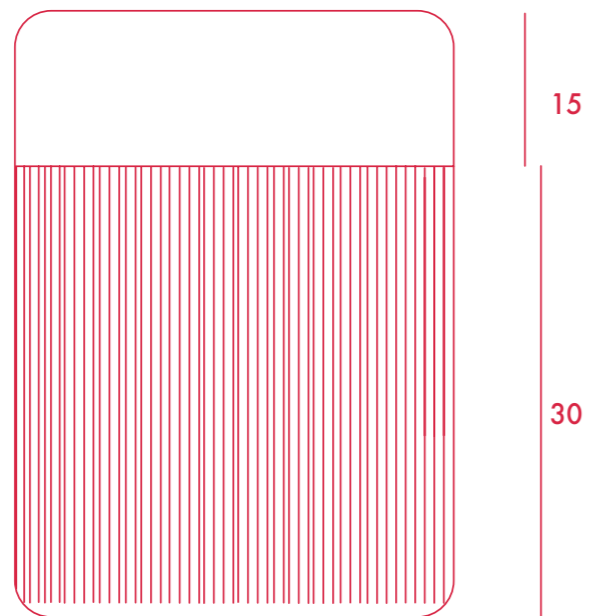
For indoor use only.

**PILL**

PILL  
BY HOUTIQUE







## PILL POUF S

Designed by Houtique.  
Made in Spain.

Art-deco style pouf with wood structure  
and velvet fabric.

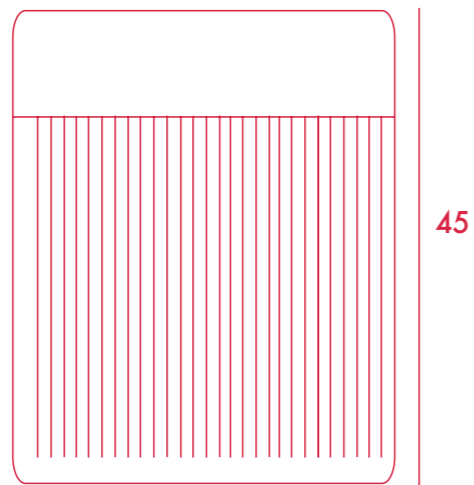
2 fiber-board discs of 16mm,  
joined by wooden tufts.

Upholstery Velvet 100% polyester  
with backing. 345 gr/m.

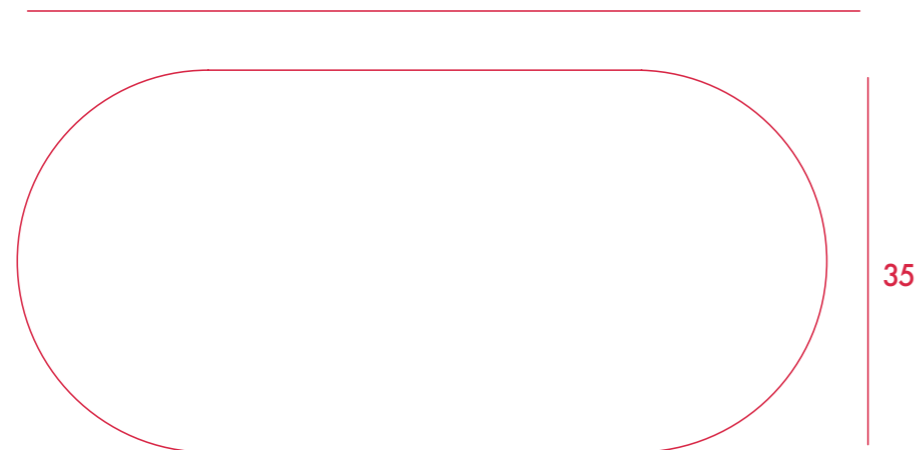
50000 Martindale cycles.

TEAD foam with fibre-covered.

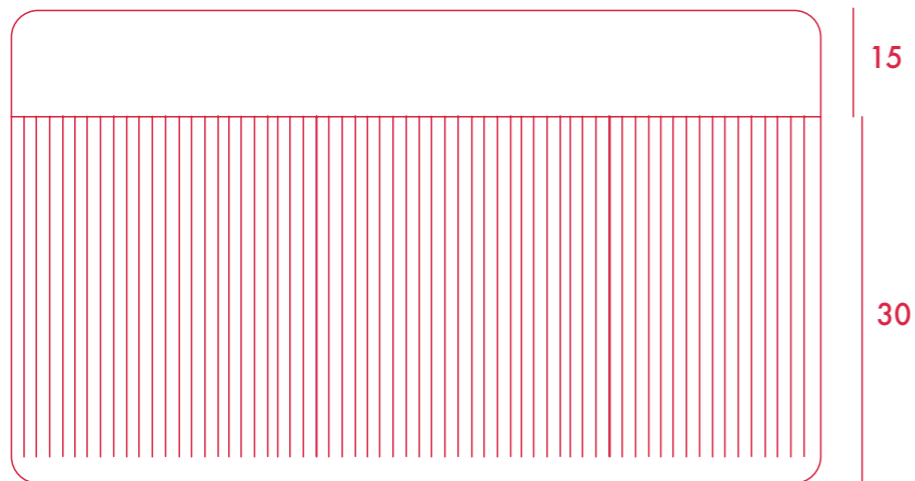
For indoor use only.



80



35



15

30

## PILL POUF L

Designed by Houtique.  
Made in Spain.

Art-deco style pouf with wood structure and velvet fabric.  
2 fiber-board discs of 16mm, joined by wooden tufts.  
Upholstery Velvet 100% polyester with backing.  
345 gr/m.50000 Martindale cycles. TEAD foam with fibre-covered.

For indoor use only.

# CHACHACHÁ

CHACHACHÁ  
BY HOUTIQUE





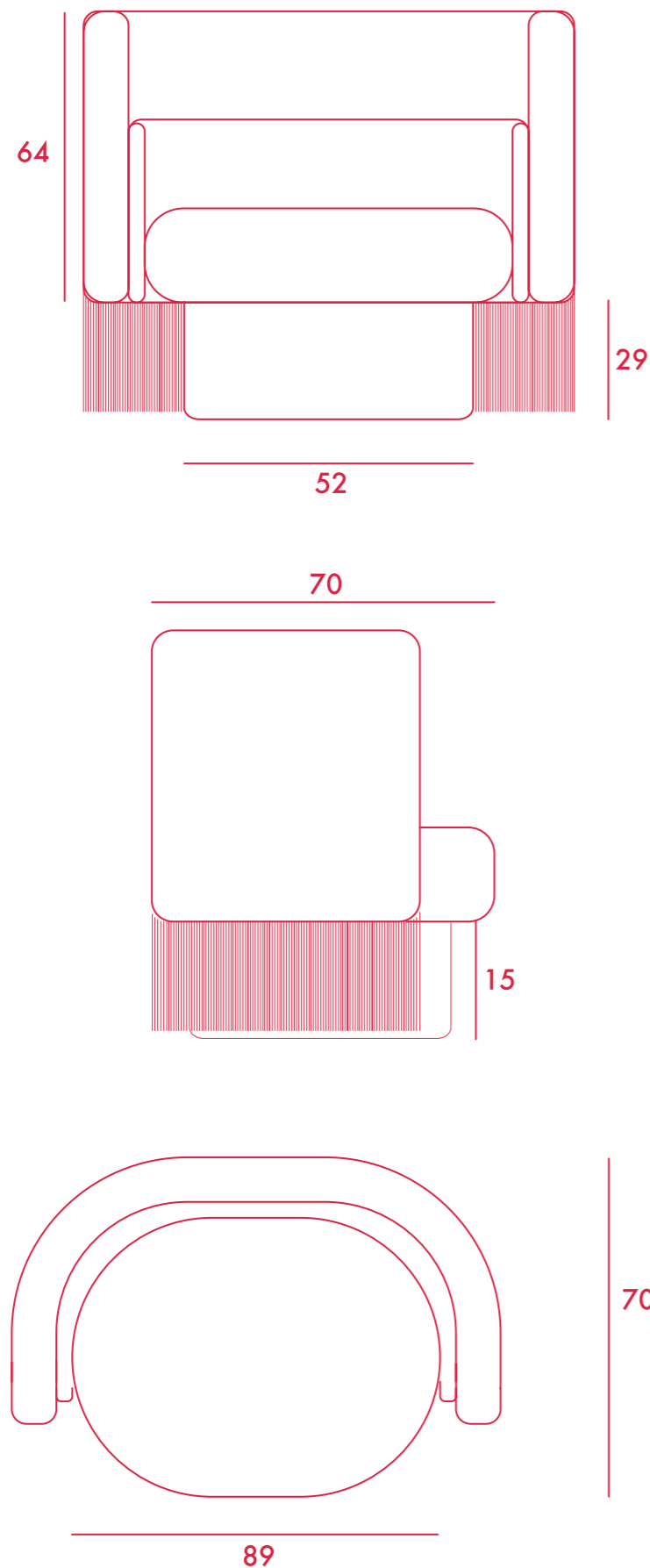


**MAMBO**

**MAMBO  
BY MASQUESPACIO**





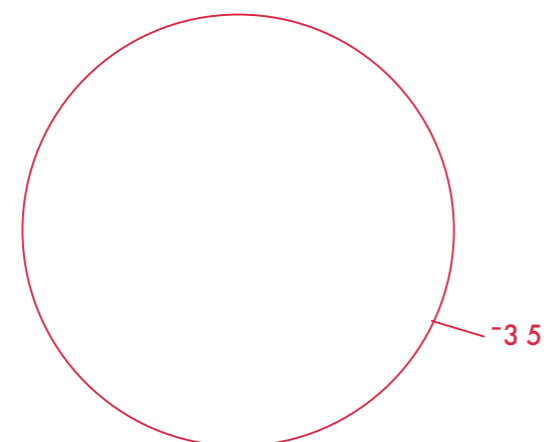
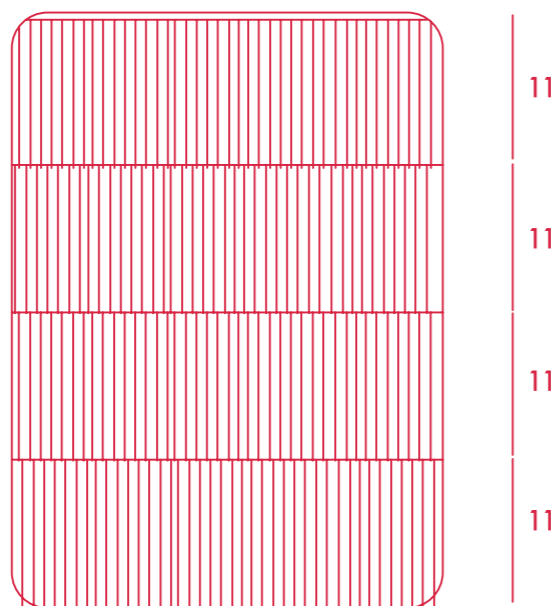
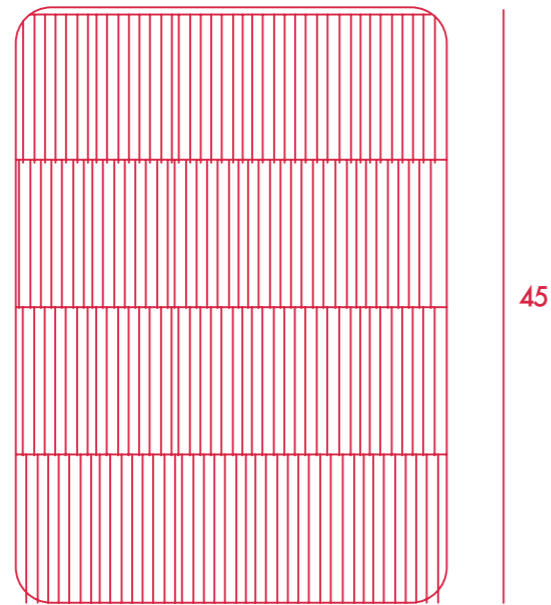


## MAMBO ARMCHAIR

Designed by Masquespacio.  
Made in Spain.

Metal Base bathed in 24 carats gold or bright chrome (marking to model).  
Solid Pinewood and fiber frame.  
Laminated board seat.  
Beech Wood board backrest with high frequency curved.  
Wadding coating of 150 g/m  
External and internal structure covered with hard foam of 20 kg  
Velvet: 100% polyester with backing. 345 gr/m. 50000 Martindale cycles.  
Bottom part with fringe of 17 cm.

For indoor use only.



## POUF CHACHACHÁ

Designed by Houtique.  
Made in Spain.

Art-deco style pouf with wood structure and velvet fabric.  
4 modules connected by wooden sleepers, each one Formed by 2 fiber-board discs of 16mm, joined by wooden tufts.  
Upholstery Velvet 100% polyester with backing. 345 gr/m.  
50000 Martindale cycles.  
TEAD foam with fibre-covered.

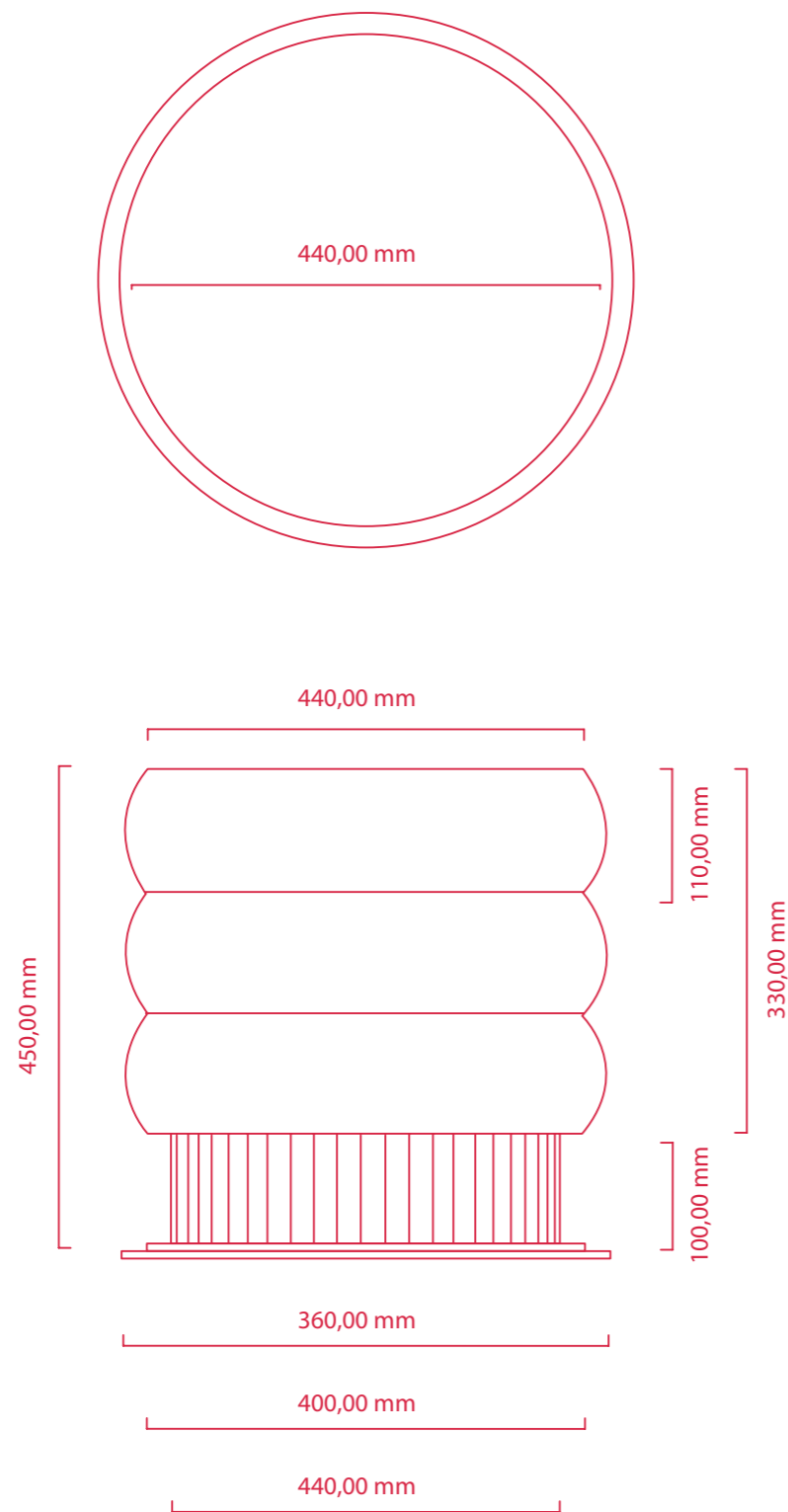
For indoor use only.

**POMPA**



**POMPA POUF  
BY HOUTIQUE**





## POMPA POUF

Designed by Houtique.  
Made in Spain.

Pouf with wood structure and velvet fabric  
4 modules connected by wooden sleepers, each  
one Formed by 2 fiber-board discs of 16 mm,  
joined by wooden tufts.

Upholstery Velvet 100% polyester with backing.  
345 gr/m. 50000 Martindale cycles.  
TEAD foam with fibre-covered.

Dimensions:  
Height: 45 Cm  
Diameter: 44 Cm

For indoor use only.

**BASE**



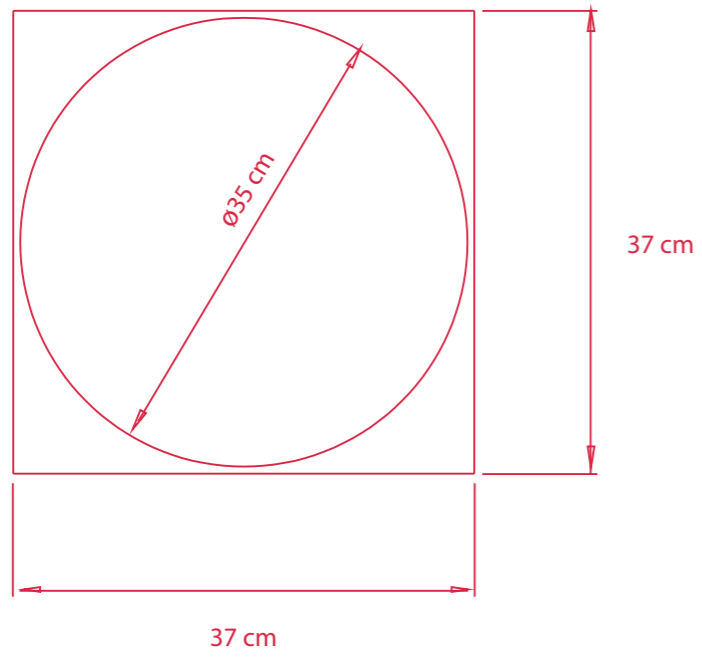
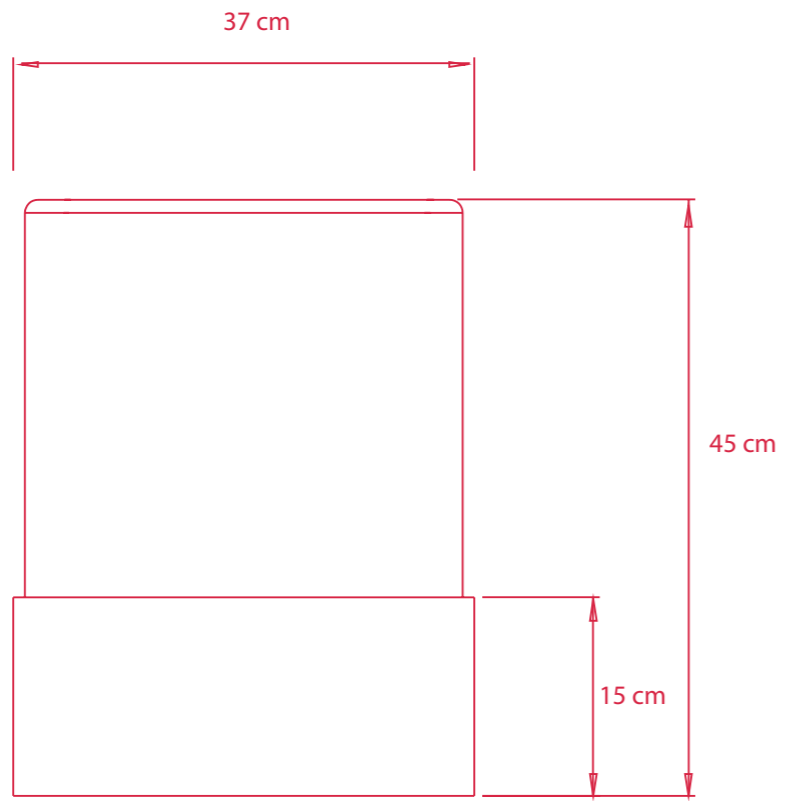
**BASE  
BY HOUTIQUE**



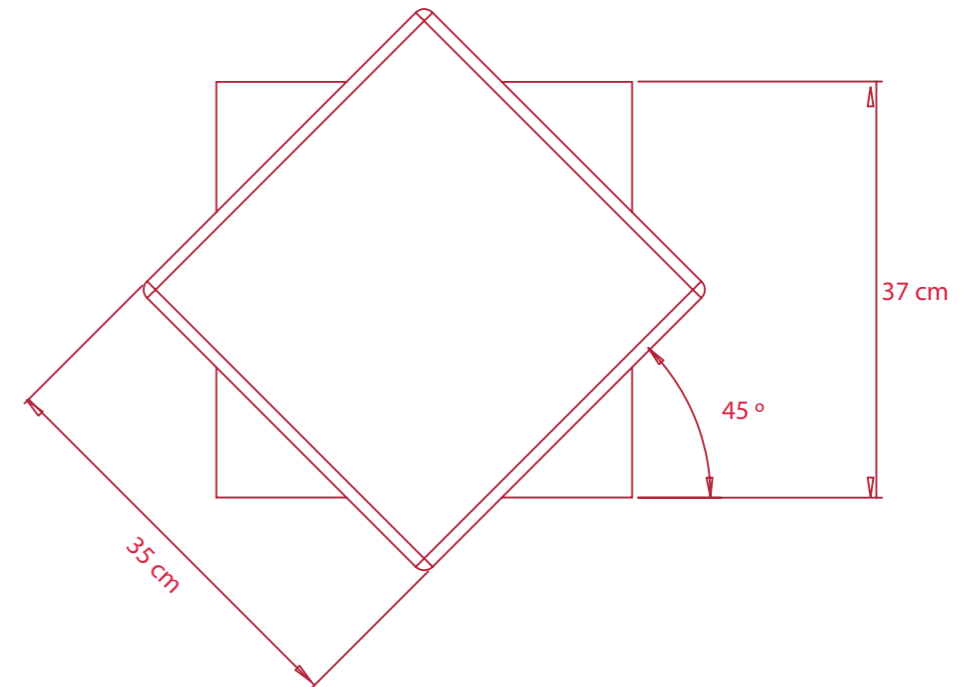
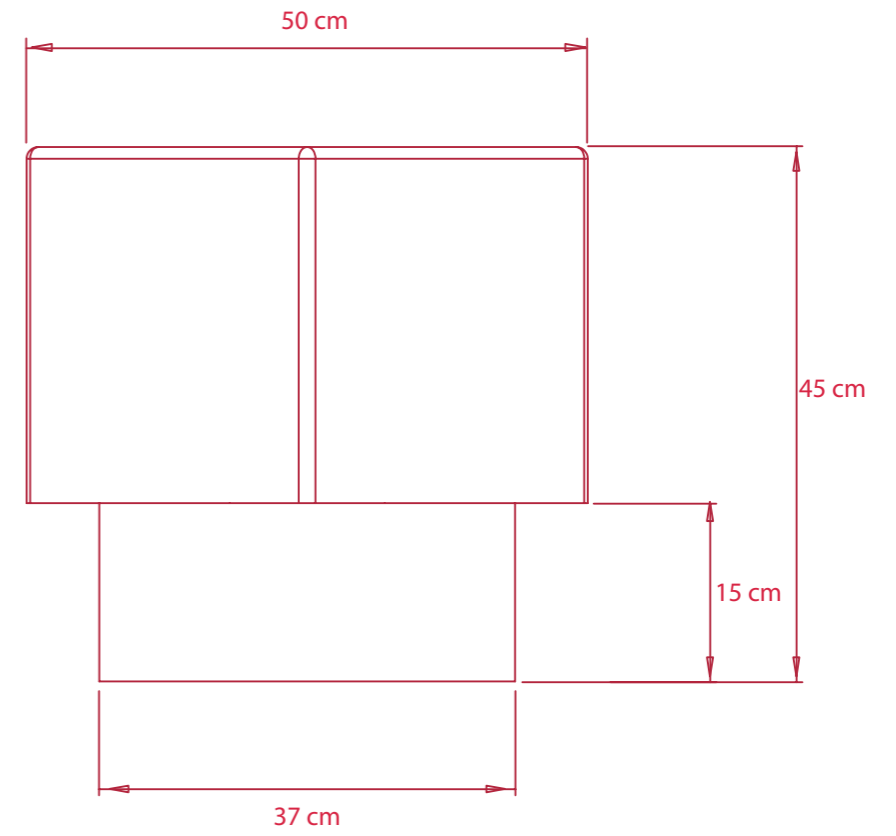




# CILINDER BASE POUF



# SQUARE BASE POUF

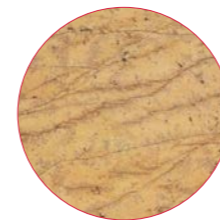


## BASE POUF

Designed by Houtique.  
Made in Spain.

Marble base available in  
two different textures:  
Smooth and grooved.

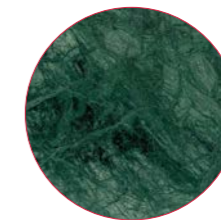
Option in four natural stones:  
Triana Yellow / Travertine White  
Guatemala Green / Alicante Red



Triana Yellow



Travertine White



Guatemala Green



Alicante Red

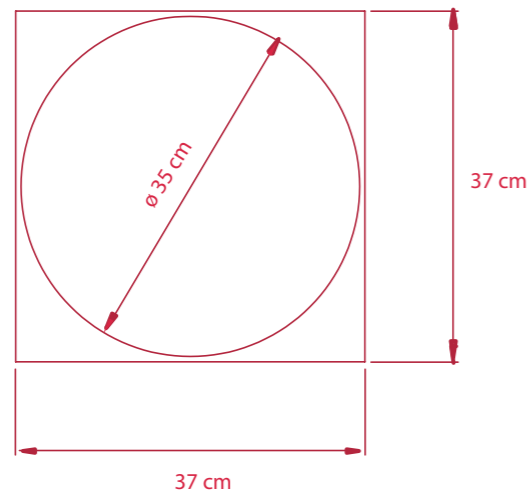
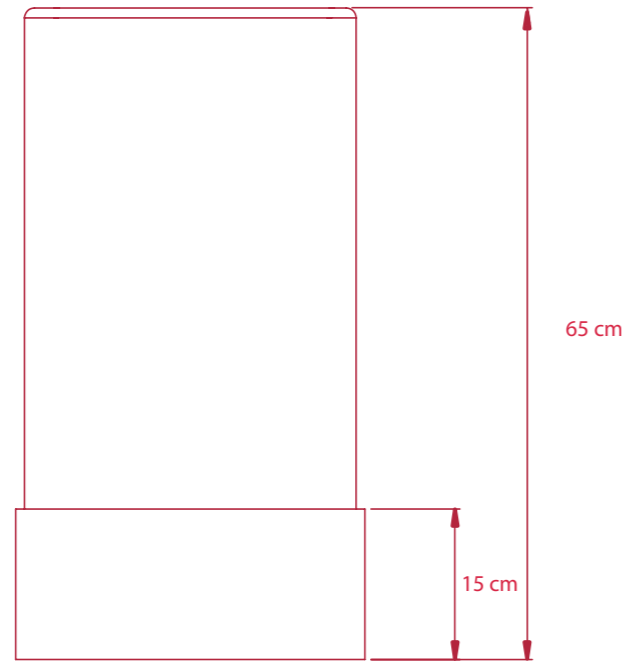
Upholstered in Houclette fabric  
80,000 Martindale

Interior use

4 metal tube legs (black).

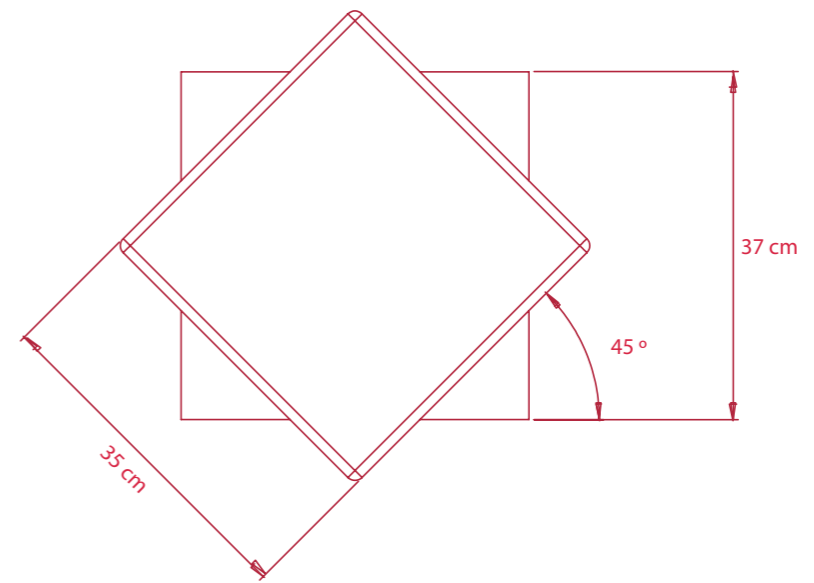
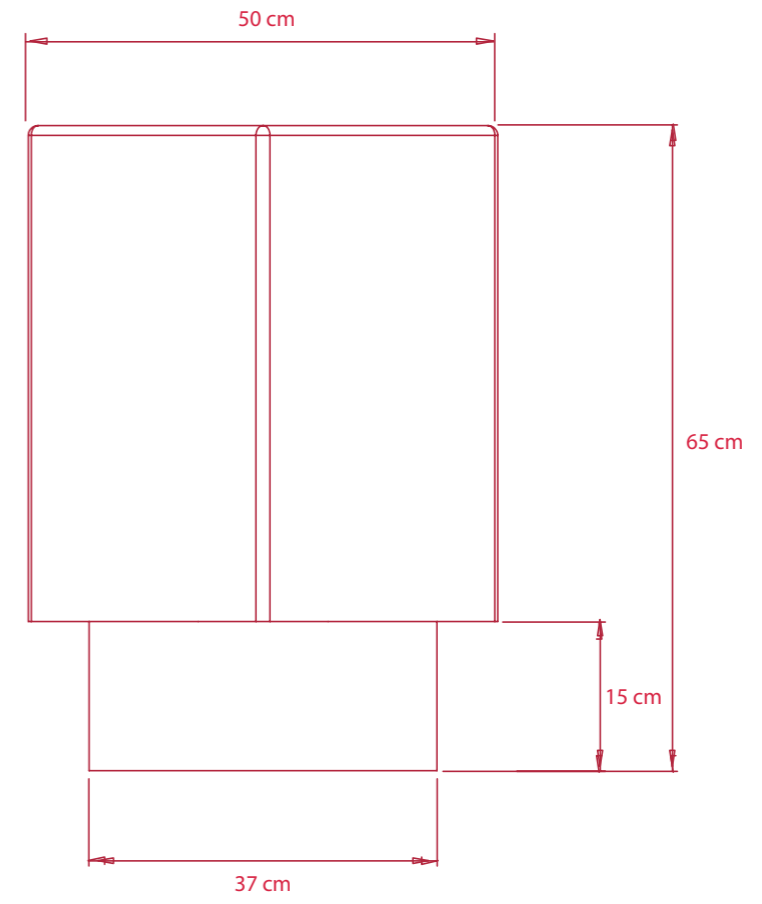


# CILINDER BASE KITCHEN



090

# SQUARE BASE KITCHEN



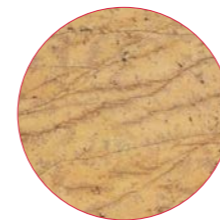
091

## BASE KITCHEN

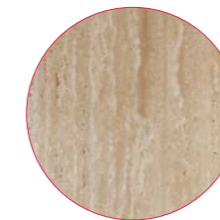
Designed by Houtique.  
Made in Spain.

Marble base available in  
two different textures:  
Smooth and grooved.

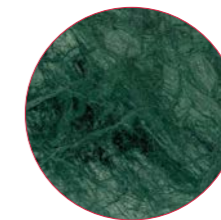
Option in four natural stones:  
Triana Yellow / Travertine White  
Guatemala Green / Alicante Red



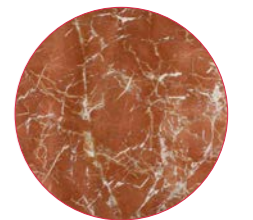
Triana Yellow



Travertine White



Guatemala Green



Alicante Red

Upholstered in Houclette fabric  
80,000 Martindale

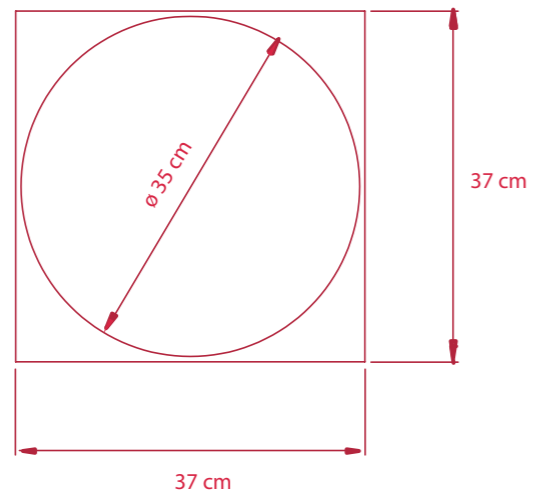
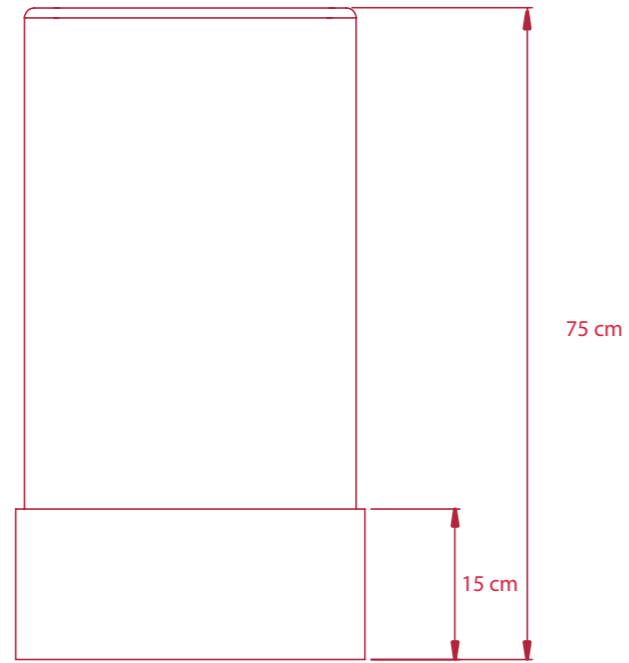
Interior use.

4 metal tube legs (black).

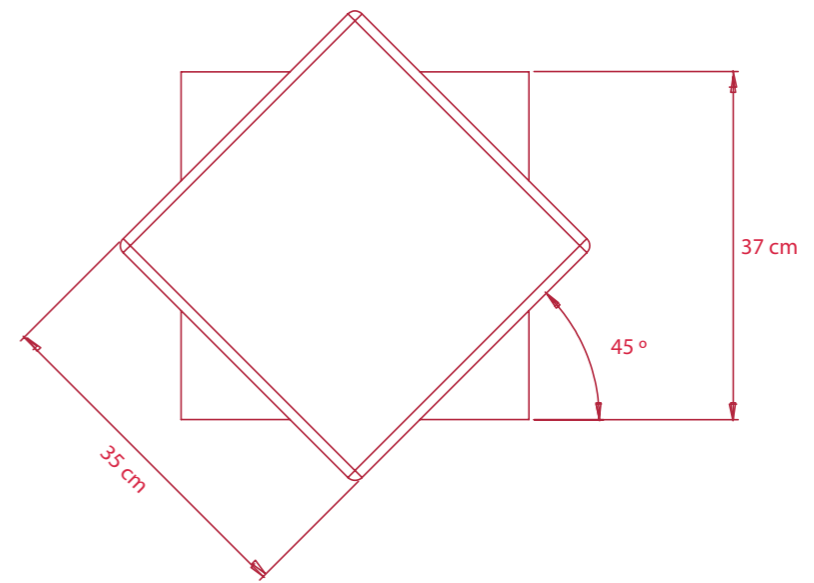
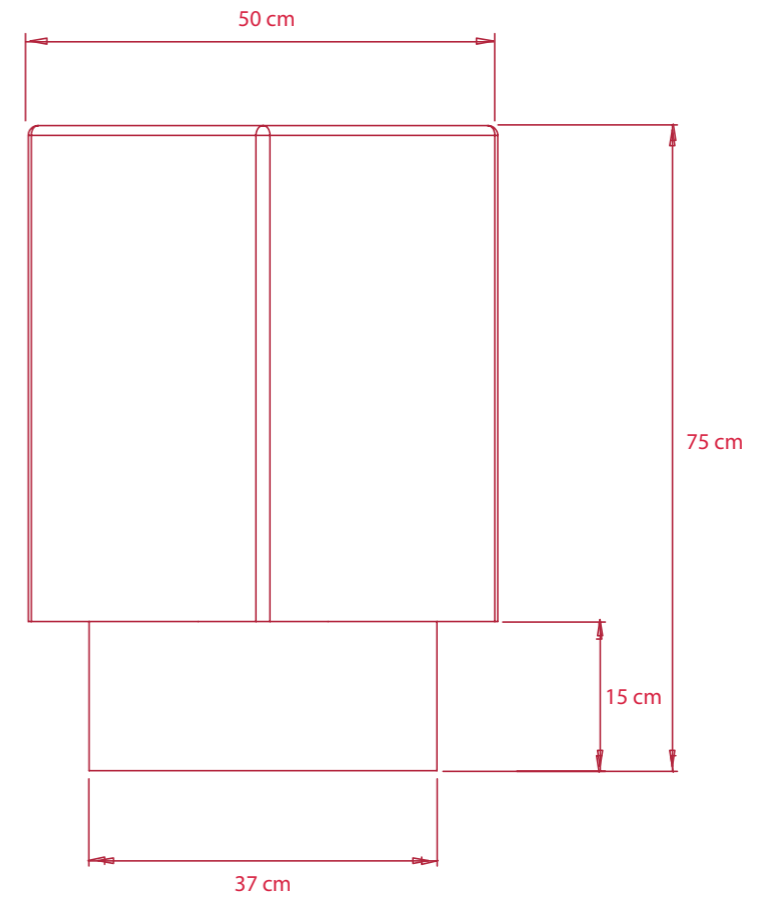




# CILINDER BASE STOOL



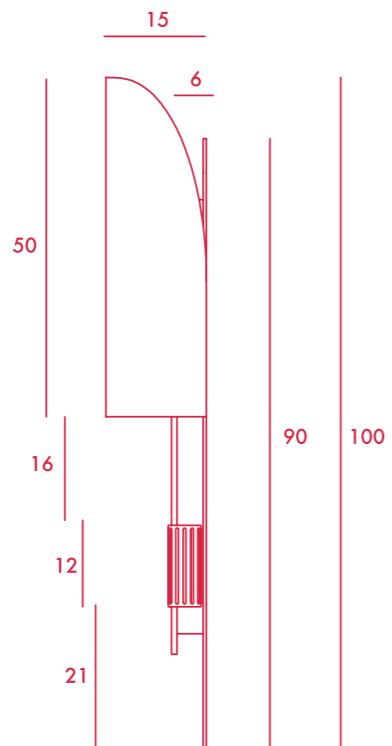
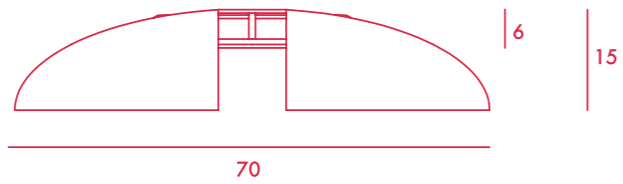
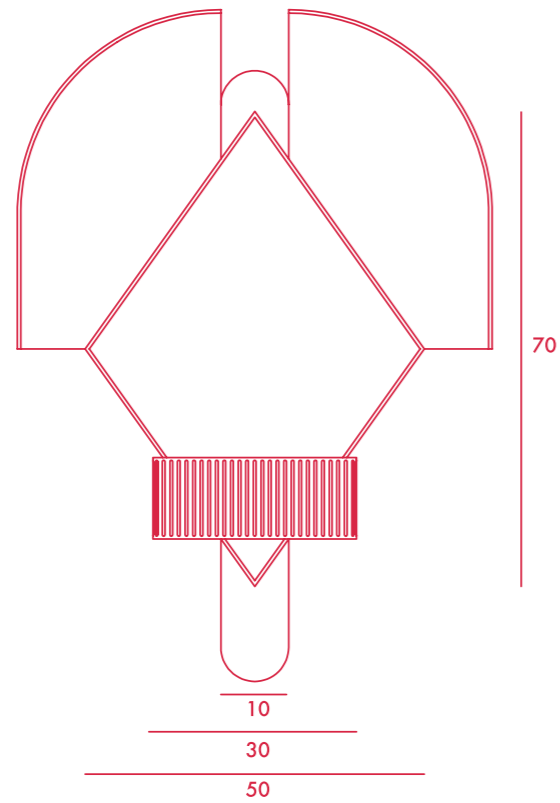
# SQUARE BASE STOOL



# BONNET

BONNET MIRROW  
BY ELENA SALMISTRARO





## BONNET MIRROW

Designed by Elena Salmistraro.  
Made in Spain.

Mirror made of minerals and  
high strength resin.  
Bevelled mirror.

24 K copper / Gold metallic back piece /  
black color powder coated (paint)  
According to model

For indoor use only.

HOUTIQUE.