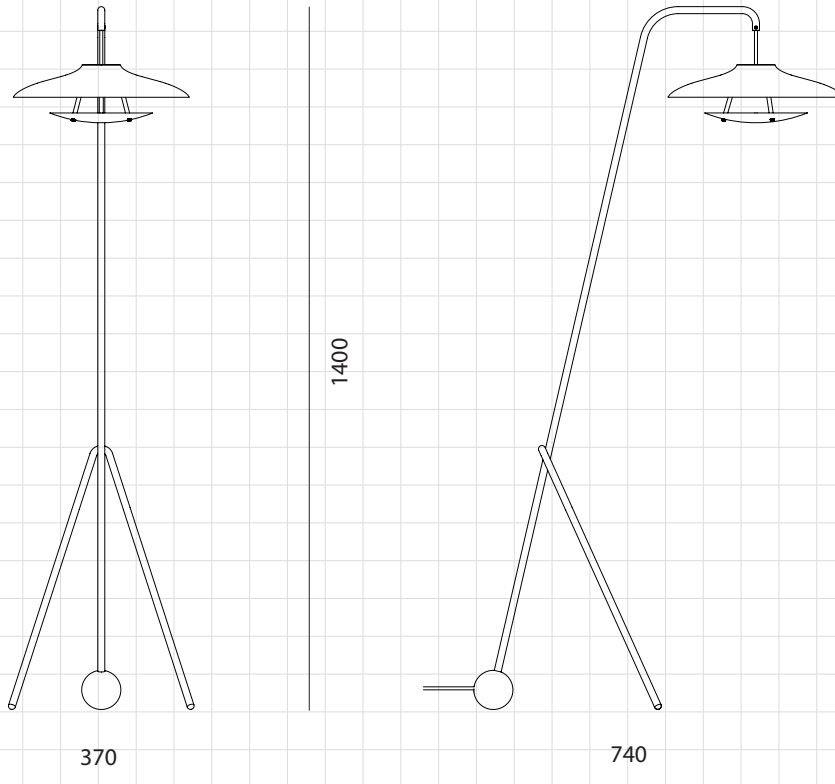


**HARO**  
BY SPACE COPENHAGEN

**Haro Floor Lamp**



**CODE**  
**DIMENSIONS**

HA-F110  
W370 x D740 x H1400mm

**NET WEIGHT**  
**ENVIRONMENT**  
**MATERIALS**

5.75 kg  
Indoor  
Powder coated steel shade, brass plated stainless steel structure  
\*Please refer to website or contact your local representative for complete material swatches.

**SHIPPING**

<b>Package</b>	Assembled		
<b>Package Qty</b>	1 pcs/box		
<b>Packaging</b>	<b>Measurement (mm)</b>	<b>Volume (cbm)</b>	<b>Gross Weight (kg)</b>
<b>FCL/LCL/AIR</b>	W1680 x D510 x H470	0.40	11.02