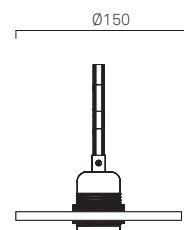
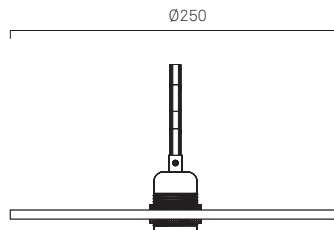
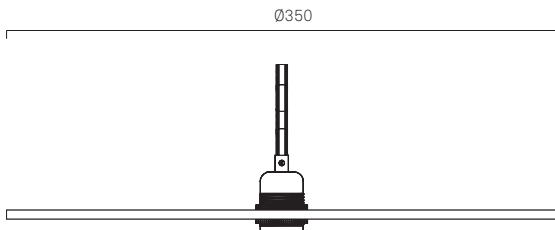


GEOMETRIC SHADE: CIRCLE



Shade

Design	Frama
Year	2015
Typology	Lampshade
Collection	Permanent Lighting
Origin	Denmark
Certifications	CE-Certified
Material	Brass
Finish	Clear wet lacquered
Note	Available as a set with E27 pendant or separately Recommended bulbs: Atelier Globe 80, Atelier Drop, Atelier Cylinder

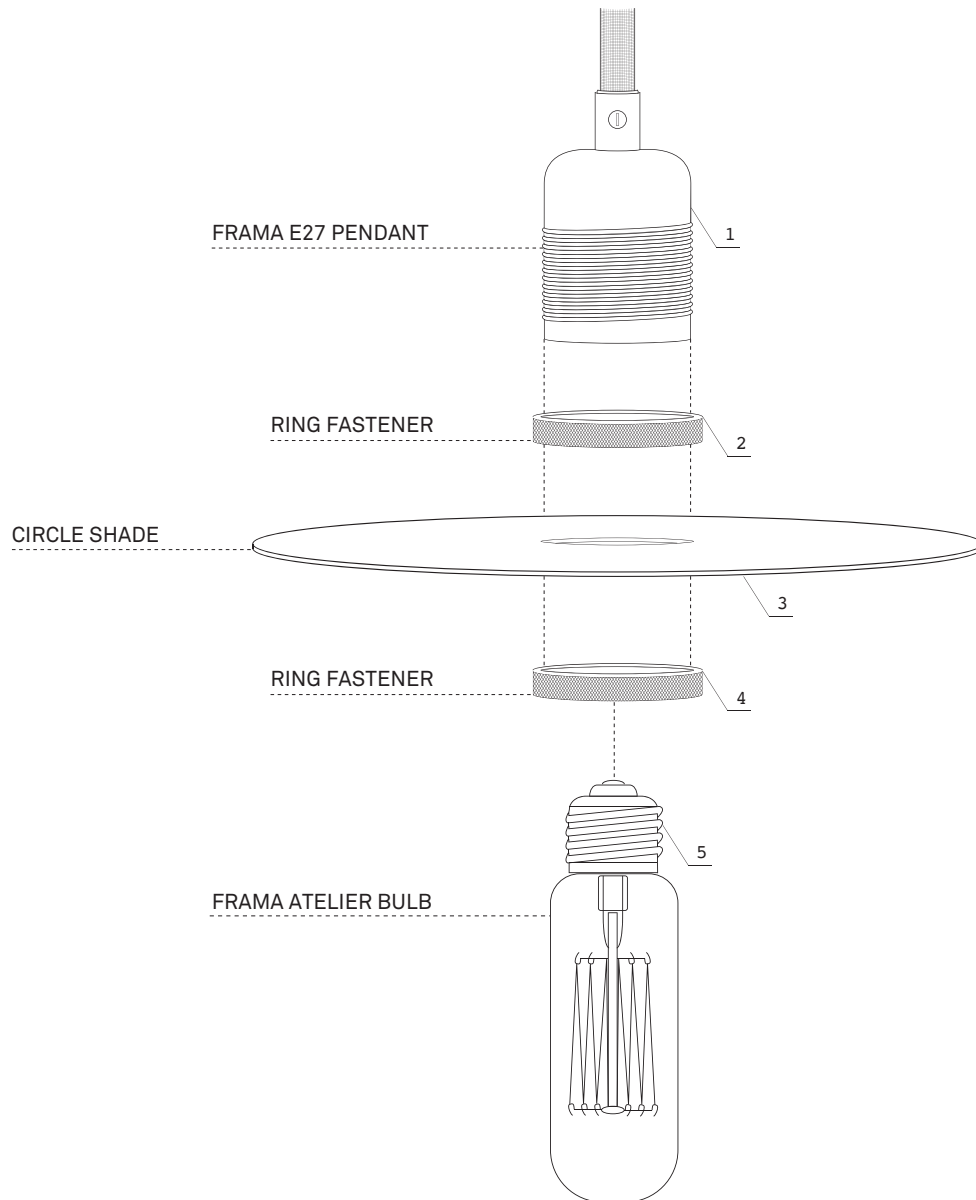
Pendant

Design	Frama
Year	2011
Typology	Pendant lamp
Collection	Permanent Lighting
Origin	PRC
Material	Various
Cord	3000 mm textile cord
Socket	E27
Watts	Max 60 W
Voltage	220/240
Certifications: UL/EU Energy/BSCI	CE CERTIFIED
Note	Recommended bulbs: Atelier series or diamond lights See Item No. on separate Pendant Specification Sheet

Product	Item No.	EAN code
Circle Shade Brass (S)	2819	5712828112814
Circle Shade Brass (M)	2822	5712828002825
Circle Shade Brass (L)	2825	5712828012824

GEOMETRIC SHADE COLLECTION : CIRCLE

Origin: Produced in Denmark
Dimensions: Ø 400, Ø 250, Ø 150
Brass ring included, E27 fixture & bulbs not included



FRAMA

GEOMETRIC SHADES ASSEMBLY & MAINTENANCE

Individually cast to fit the Frama E27 pendants with the addition of a fitted ring to hold everything elegantly in place, these shades act as an addition to the Frama E27 pendant.

CONTENTS:

In this box you will find:

- 1 Geometric Shade
- 2 Fitted rings for Frama E27 Pendant

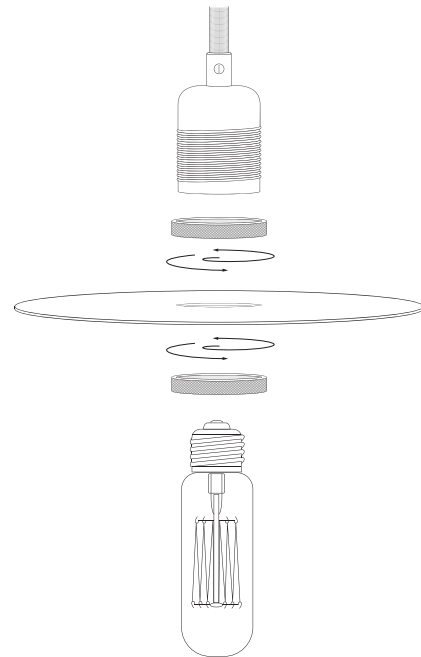
ASSEMBLY:

1. Start by screwing the top ring on the Frama E27 Pendant (sold separately from shade)
2. Starting from the bottom of the pendant, place the shade against the top ring, screwing the bottom ring into place on the underside of the shade.
3. The rings should “sandwich” the Geometric Shade now. Tighten the rings so the Geometric Shade is secure.
4. Hang the light fixture where desired.

MAINTENANCE:

Geometric Shades are treated for easy maintenance. For regular cleaning, dust shade regularly and wipe with a clean damp cloth.

Due to the thicker coating, the painted E27 Pendants may not be compatible with Geometric Shades. We recommend using the electroplated metal E27 pendants to ensure a smooth fit with the rings and Geometric Shades.



MAINTENANCE OF GEOMETRIC SHADES

Some of the metals in the Frama collection are left untreated to allow for a natural patina to develop over time. See below to keep these beautiful signs of aging, or polish them away. All collection pieces are for indoor use.

CLEANING & POLISHING BRASS & COPPER:

Brass: Wash the brass with soapy water. To get rid of dirt or oil, mix a mild detergent with warm water. Dip a soft cloth into the soapy water, and wipe the piece down with the cloth. To polish brass, apply brass polish to a cloth, and rub it into the brass. Then use a clean, dry cloth while rubbing the brass to create shine.

Copper: Squeeze a lemon and sprinkle salt over the copper, and rub to remove any tarnishing. Rinse the copper, and dry with a soft, dry cloth.

CLEANING GLASS:

Glass: Dust regularly and wipe clean with a soft damp cloth.

CLEANING POWDER COATED STEEL/ALUMINUM:

To clean powder coated furniture, carefully remove any loose deposits with a wet sponge. Use a soft brush (non abrasive) or cloth, and a mild household detergent solution to remove dust, salt and other deposits. Rinse off with clean fresh water. Then use a clean, soft cloth to dry the piece.

TEXTILE CORDS:

Avoid contact with liquid and cleaning soap. Use a brush or cloth to remove dirt from the textile cord.

Avoid direct sunlight and sharp items.

Do not cut the textile cords by yourself, let a licensed electrician perform length adjustments.

MOUNTING:

2. Connect the ceiling output to the terminal block. The blue wire is fasten on the opposite side from the blue wire on the terminal block. Fix the wire by tighten the screw. Use a small screwdriver.
3. Connect the brown wire in the same way.
4. Hang the pendant and adjust the ceiling cup by tighten the cord grip in it's right position

FRAMA

Org. St. Pauls Apotek - Fredericiagade 57 - Copenhagen - Denmark