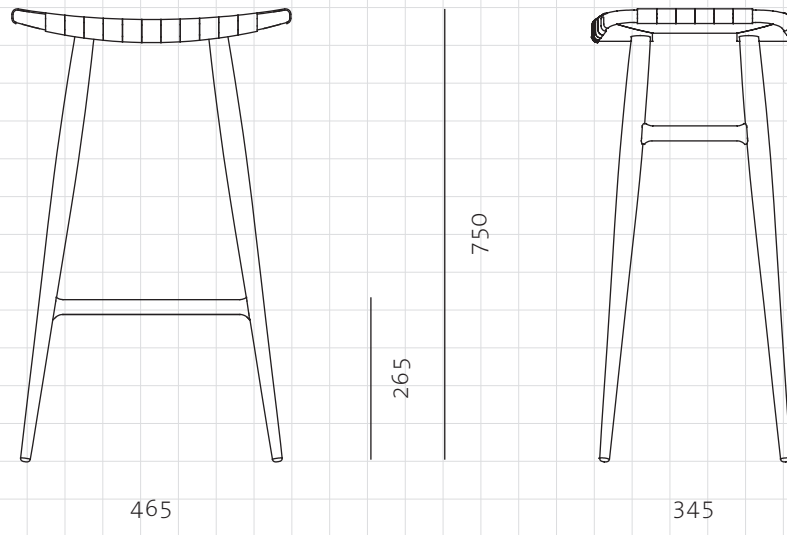


Freja Bar Stool SH750 Leather Stripe Seat



CODE
DIMENSIONS

FE-S320-LS
W465 x D345 x H750mm
Seating height: 735mm

NET WEIGHT
ENVIRONMENT
MATERIALS

3.6 kg
Indoor
Solid wood frame, leather stripe seat
*Please refer to website or contact your local representative for complete material swatches.

SHIPPING

| | | | |
|--------------------|-------------------------|---------------------|--------------------------|
| Package | Assembled | | |
| Package Qty | 1 pcs/box | | |
| Packaging | Measurement (mm) | Volume (cbm) | Gross Weight (kg) |
| FCL | W530 x D410 x H835 | 0.18 | 7.85 |
| LCL/AIR | W570 x D450 x H925 | 0.24 | 10.83 |