



Limited edition
FILIGREE

PIANO

Boca do Lobo presents the ultimate recreation of a vintage piano tailored to give rise to a unique piece, embellished by one of the oldest jewellery making techniques known, the Filigree technique.

The filigree is made from brass cords, gilded in 18k gold. It is an age old and detailed jewellery expression in which skilled artisans painstakingly solder tiny beads and twisted threads to create striking artistic motifs, suggesting often an exquisite and intricate lace-like patterns.

A masterpiece conceived in our workshops by special request.

Product features: Grand Piano in black lacquer, with detailed handcrafted filigree jewellery technique in gilded gold brass.

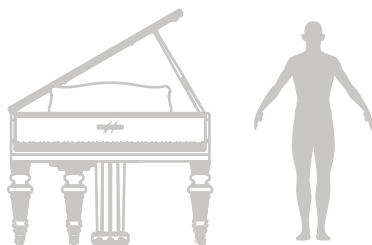
Arts and Techniques: Filigree jewellery technique, hammering and polishing, lacquering.

Materials and Finishes: Wood, lacquering, brass.

Customization: Custom sizes and colors are available with an upcharge.

Clean and Care: Dry cloth.

TECHNICAL INFO



DIMENSIONS

Width: 146 cm (58 in.)

Depth: 180 cm (71 in.)

Height: 101 cm (40 in.)

 - box

 ----

 ----

EXPLORE MORE



. WEBSITE .



. CATALOGS .




. FINISHES .

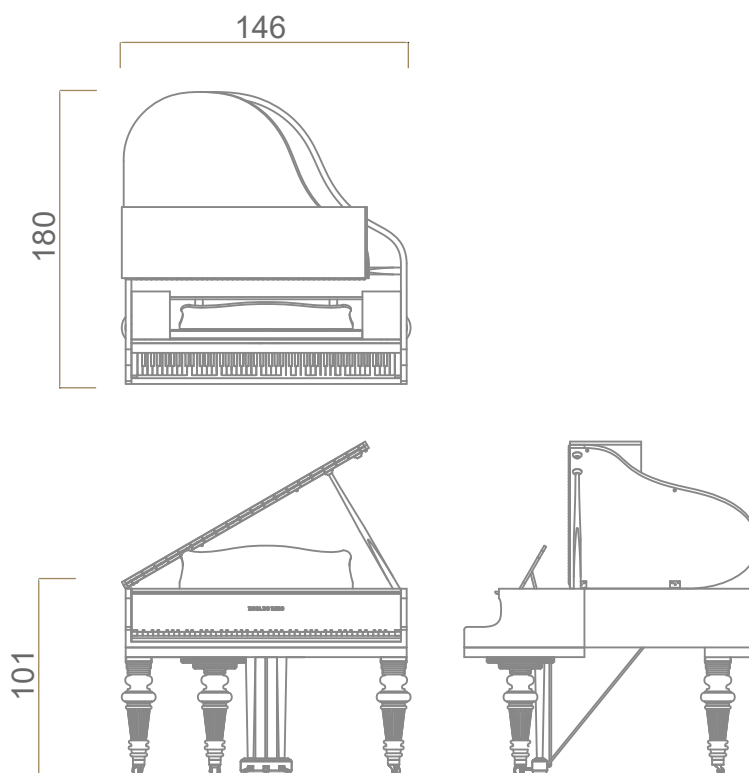


. PRESS EDITORIAL .



. VIDEOS .

 +351 910 936 335
 +351 224 887 170
 info@bocadolobo.com



Limited edition
FILIGREE

PIANO

MATERIALS & FINISHES

STANDARD



POLISHED BRASS



FILIGREE



BLACK LACQUERED WOOD

PRODUCT OPTIONS

Custom colors and finishes are available with an upcharge.
Please contact info@bocadolobo.com