



ESCRITORIO

nomon
JEWELRY FOR HOME

Desk

Escritorio modular, formado por un sobre y dos patas de 70 cm, donde a partir de un eje se instalan baldas a izquierda y derecha, alternando baldas fijas a pared y libres.

Modular desk, formed by a desk-top, two legs of 70cm and a central axis in which you can install alternately shelves fixed to the wall or floating shelves to the right or to the left.

MATERIALES

MATERIALS

Nogal natural macizo
Chapado nogal natural
Chapado en fresno teñido negro

*Natural solid walnut
Natural walnut veneered top
Black stained ash veneered top*

*La opción en chapado madera no incluye lapicero.
*Desks with veneered tops don't include pencil pot

OPCIONES MADERA

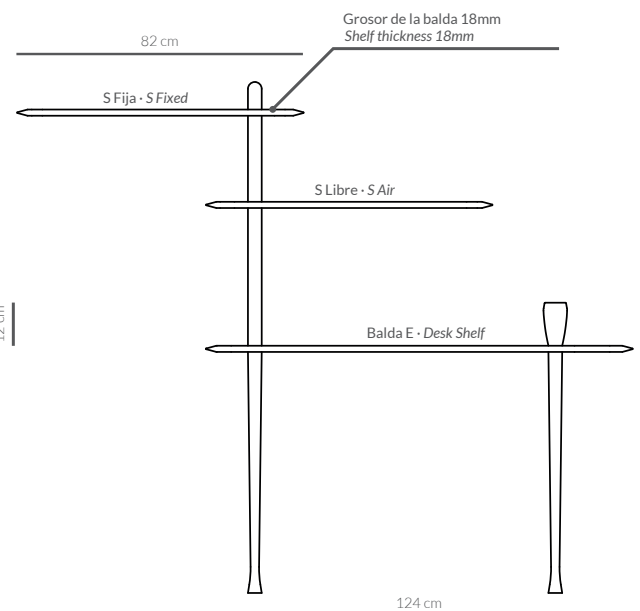
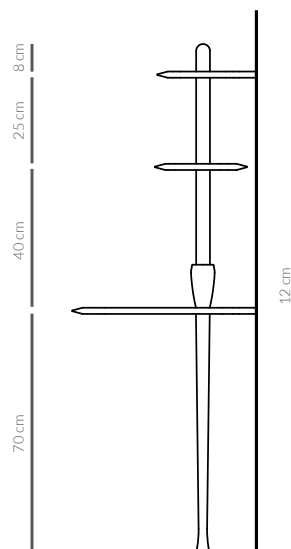
WOOD OPTIONS



Nogal
Walnut



Fresno teñido negro
Black ash



PACKAGING

Balda E / E shelf

Peso: 7kg
Dimensiones (cm): 58 x 132 x 7
Peso volumetrico: 10,7kg
Weight: 7kg
Dimensions (cm): 58 x 138 x 7
Volumetric weight: 10,7kg

Balda S / S shelf

Peso: 3kg
Dimensiones (cm): 35 x 90 x 7
Peso volumetrico: 4,4kg
Weight: 3kg
Dimensions (cm): 35 x 90 x 7
Volumetric weight: 4,4kg

