



ELLA

ELLA

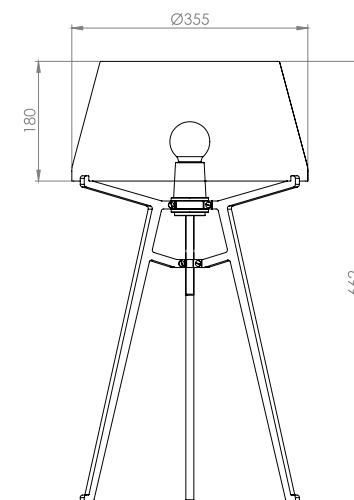
Design by Anton de Groof 2016

Material steel & hand blown glass
Description the tripod stand is made of coated steel and holds a hand blown-glass shade
Body colors black or white
Glass colors transparent or neutral grey
Total weight 5,7 kg
Volt 220 V - 240 V
Max Watt 60 Watt
Socket E27

ella black



ella white



	ella black	ella white
○ transparent	1407	1409
● neutral grey	1406	1408