



PRIVATE
COLLECTION

DIAMOND

WATCH WINDER

Valuable watches are like diamonds. Lapidated like these precious gems, Diamond watch winder was sculpted from the finest materials in order to offer the perfect ambience to the most valued collector watches while providing for the best care the sensitive mechanisms of automatic time pieces require.

Product features: Wooden structure watch winder made in gold leaf.

Arts and Techniques: Joinery and Application of golden leaf.

Materials and Finishes: Wood, gold leaf.

Product Options:

Customization:

Observations for mounting:

Clean and Care:

TECHNICAL INFO

DIMENSIONS

Width/Length: 26 cm (10,2 in.)

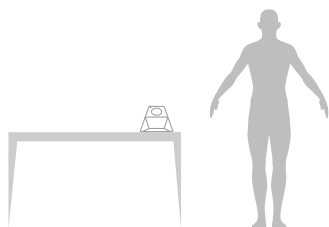
Depth: 25 cm (9,8 in.)

Height: 20 cm (7,9 in.)

 1 box

 1 (2,2lbs)

 1,00



EXPLORE MORE



. WEBSITE .



. CATALOGS .





. FINISHES .

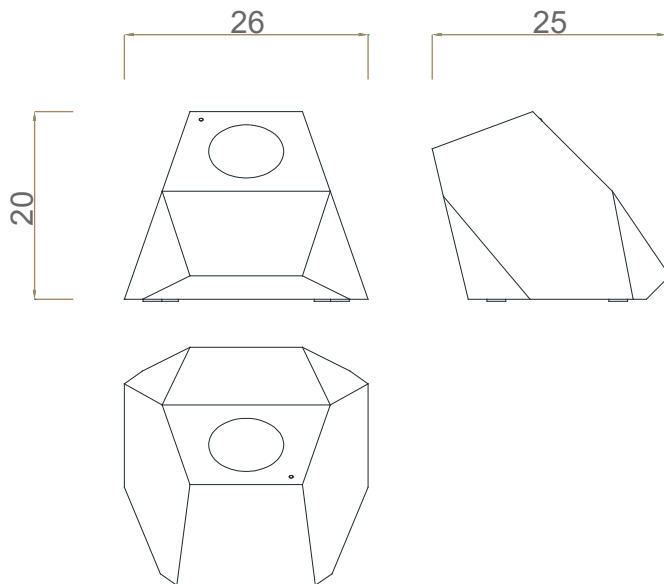


. PRESS EDITORIAL .



. VIDEOS .

 +351 910 936 335
 +351 224 887 170
 info@bocadolobo.com



PRIVATE
COLLECTION

DIAMOND

WATCH WINDER

MATERIALS & FINISHES

STANDARD



BLACK LACQUER
W. GLOSS

PRODUCT OPTIONS



WHITE LACQUER
W. GLOSS



GOLD LEAF



SILVER LEAF



COPPER LEAF

Custom colors and finishes are available with an upcharge.
Please contact info@bocadolobo.com