

*Limited edition*

## DIAMOND CHOCOLATE

SIDEBOARD

We love to create new contemporary furniture which stirs emotion in our admirers. This project conveys our mission to interpret in an exquisite way the modern consumer's desire for exclusive décor products, all the while maintaining the balance between the timeless values of decoration and utmost quality with an ever-growing modern vision.

**Product features:** Faceted sideboard totally manually produced. Contains two doors, two drawers and a shelf. The interior is finished in golden leaf. Legs are manually carved lined with golden leaf. The sideboard is made from wood finished with a luxurious shade of translucent brown with high gloss varnish.

**Arts and Techniques:** Joinery, Carving, Varnishing and Application of Golden and Silver Leaf.

**Materials and Finishes:** Wood, Golden and Silver leaf finished with a luxurious shade of translucent brown, High Gloss Varnish.

**Product Options:** Limited Edition, Singular Products.

**Customization:** Custom sizes and colors are available with an upcharge.

**Observations for mounting:** Pads on the base to protect the support area.

**Clean and Care:** Dry cloth.

### TECHNICAL INFO

#### DIMENSIONS

Width: 180cm (70,9 in.)

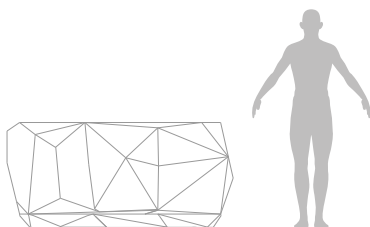
Depth: 60cm (23,6 in.)

Height: 83cm (32,7 in.)

 1 box

 180 (396,8lbs)

 1,61



### EXPLORE MORE



. WEBSITE .



. CATALOGS .






. FINISHES .

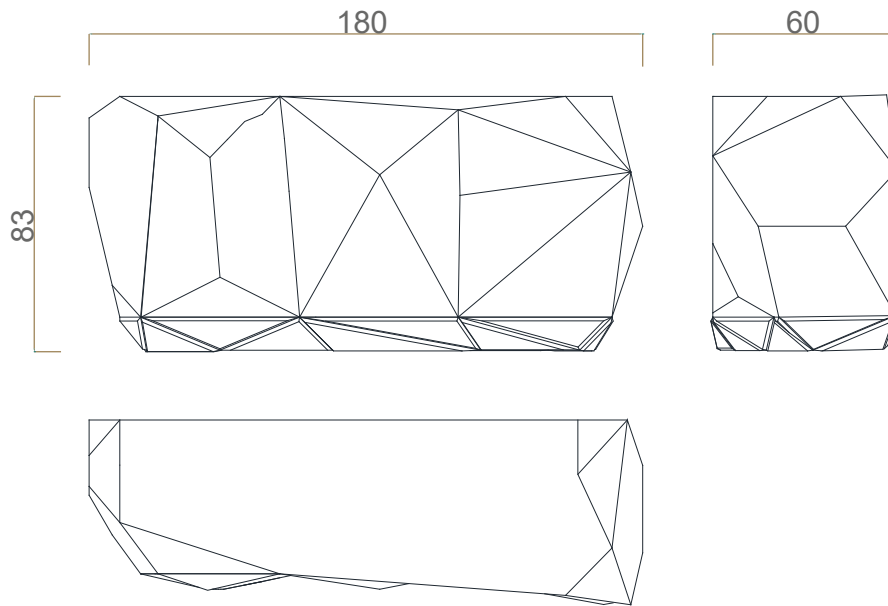


. PRESS EDITORIAL .



. VIDEOS .

 +351 910 936 335  
 +351 224 887 170  
 info@bocadolobo.com



*Limited edition*

## DIAMOND CHOCOLATE

SIDEBOARD

---

### MATERIALS & FINISHES

---

STANDARD



CHOCOLATE



GOLD LEAF

Custom colors and finishes are available with an upcharge.  
Please contact [info@bocadolobo.com](mailto:info@bocadolobo.com)