

MARCUS | SUSPENSION

With a modern design, Marcus suspension has a delicate aftermath for a well-lit home. A customizable piece, this modern lighting design fits in any modern style home decor, suited for the most exquisite rooms. A clean cut look with a timeless aesthetic, this modern suspension lamp is the suited one for a contemporary style decor as well as a modern lobby hotel design.

MATERIALS

BODY: Brass

STANDARD FINISHES*

BODY: Nickel Plated and Black Matte



Nickel Plated and Black Matte

WEIGHT

Approx. 15 kg | 33 lbs

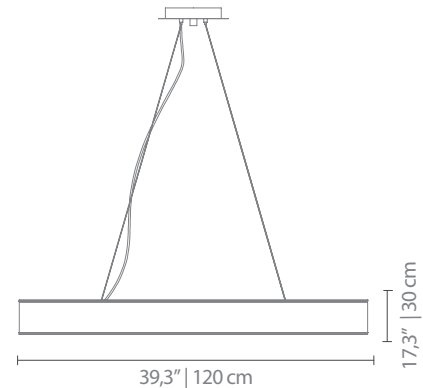
BULBS

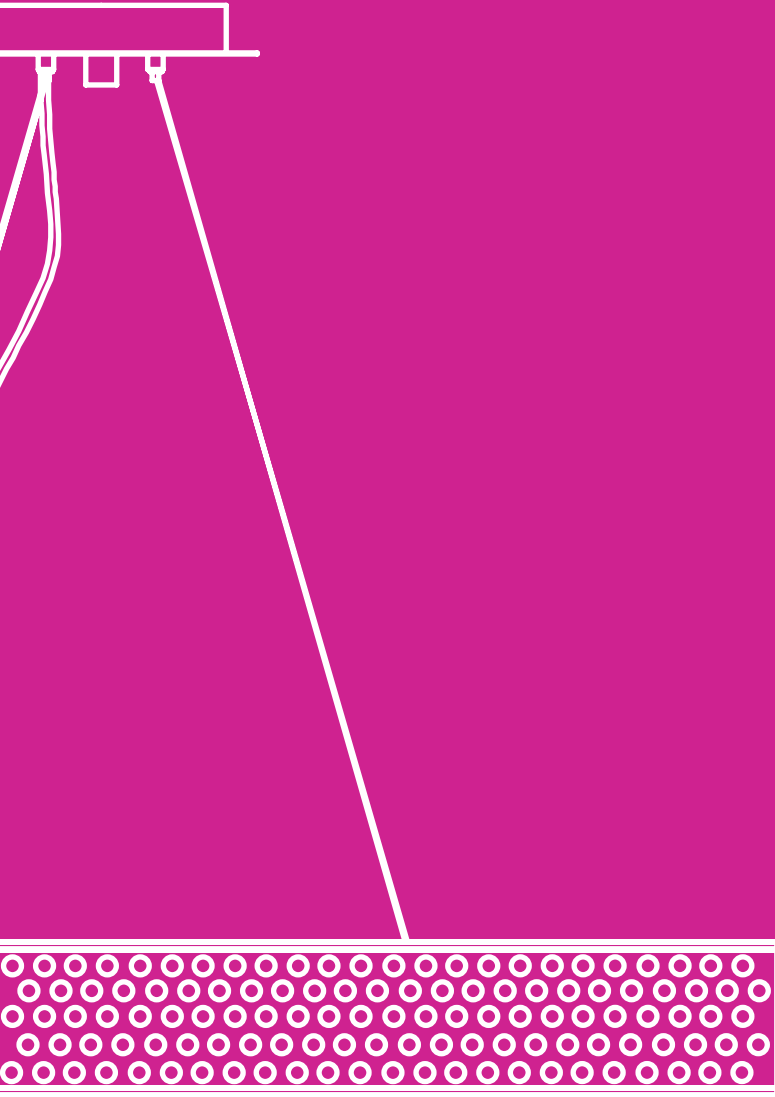
12 x G9 LED Bulbs 4W (included)
(bulbs not included for North America)

DIMENSIONS

HEIGHT: 11,8" | 30 cm

LENGTH: 47,2" | 120 cm





MARCUS | SUSPENSION

PACKAGE

(Plywood Box)

WIDTH: 27,5" | 70 cm

HEIGHT: 23,6" | 60 cm

DEPTH: 43,3" | 110 cm

PACKAGE VOLUME: 0,46 m³

WEIGHT: Approx. 51kg | 112,4lbs

BULBS

12 x G9 LED Bulbs 4W (included)

(bulbs not included for North America)

BULB STANDARD

LIGHT TECHNOLOGY: LED

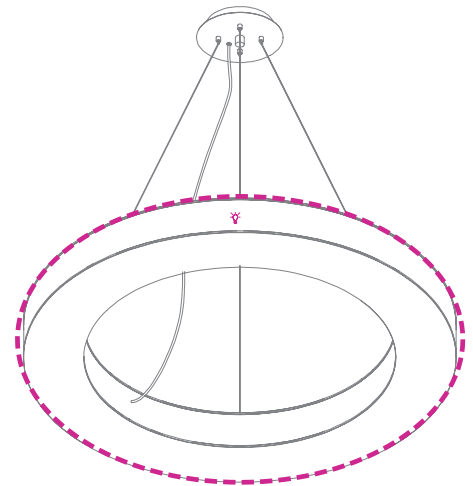
POWER: 4W

LUMENS: 360LM

COLOUR TEMPERATURE: 3000K

SHADE

DESCRIPTION



SHADES

1 unit

HEIGHT: 11,8" | 30 cm

DIAMETER: 47,2" | 120 cm

Shade with LED Bulbs 

CANOPY

DESCRIPTION

