

DIANA | TABLE

Diana Table Lamp is an inspiration of the greatest classic designs of industrial design with our Mid Century influence and modern taste. Can fit in multiple minimalist, industrial or Mid-Century room environments. It is a handmade lamp built with materials such as brass and aluminum. Brass was used on the body, whilst aluminum was chosen for the shade. The aluminum shade is lacquered a glossy red on the outside and matte white on the inside, while for the body a nickel-plated finish was chosen. However, both these colors and finishes can be customized according to your needs. This small lamp is easily the perfect reading light, having a movable and adjustable shade, that casts light to where it is needed. It best fits more minimalist or industrial environments. The perfect study table lamp.



MATERIALS

BODY: Brass

SHADE: Aluminium

WEIGHT

Approx. 1.5 kg | 3.3 lbs

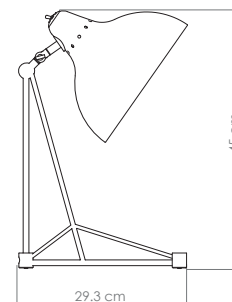
BULBS

1 x E27 Bulb, (included) max. 40W per bulb.
(E26 for USA not included)

DIMENSIONS

HEIGHT: 17.7" | 45 cm

WIDTH: 11.5" | 29.3 cm



ALSO AVAILABLE IN CATALOG 2020

DIANA | SUSPENSION P.36; DIANA | FLOOR P.92; COLTRANE | TABLE P.136;
DIANA | WALL P.157;

For more information, contact our team.
INFO@DELIGHTFULL.EU | WWW.DELIGHTFULL.EU

DIANA | TABLE

PACKAGE

(Cardboard Box)

WIDTH: 14.9" | 38 cm

HEIGHT: 14.9" | 38 cm

DEPTH: 22.8" | 58 cm

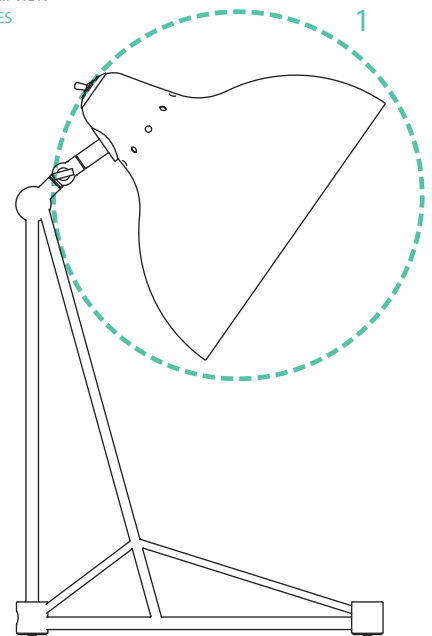
Bulbs

1 x E27 Bulb, (included) max. 40W per bulb.
(E26 for USA not included)

SHADE

DESCRIPTION

SHADES

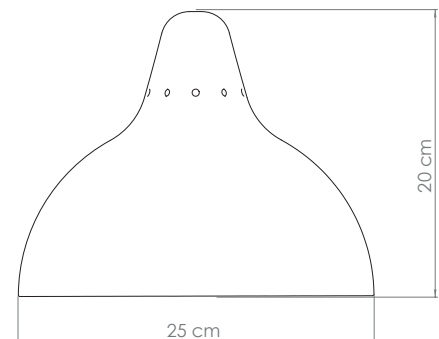


SHADES

Nº1 - 1 unit

HEIGHT: 7.8" | 20 cm

DIAMETER: 9.8" | 25 cm



Shade with Bulbs 

For more information, contact our team.
INFO@DELIGHTFULL.EU | WWW.DELIGHTFULL.EU