

DICE 2295

STORAGE FURNITURE



lyon beton

Contact
bonjour@lyon-beton.com

● DICE 2295 ● STORAGE FURNITURE

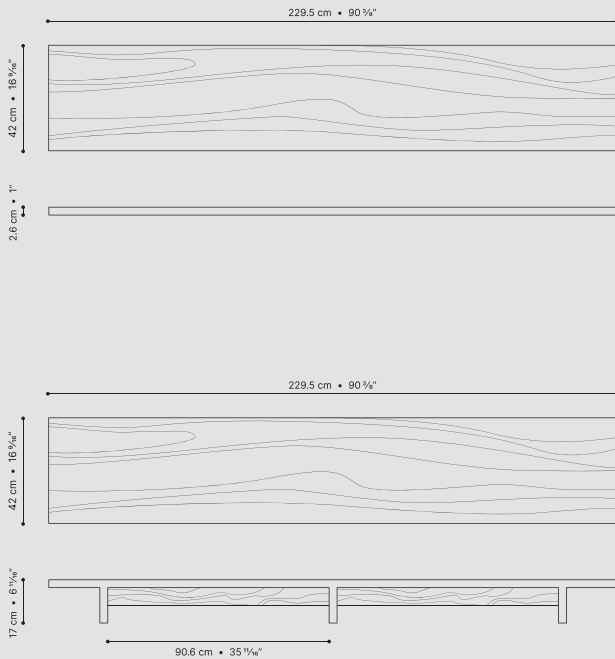


DESCRIPTION

Our designer Alexandre Dubreuil expands the possibilities with his modular concrete cube storage system, DICE. With the addition of a base and natural oak veneer shelves, these modules transform into a furniture centerpiece inspired by Charlotte Perriand's iconic cabinetry.

DESIGNER


Alexandre Dubreuil's global experience, from the design of industrial objects to interior architecture for permanent spaces or events, leads him to reconsider the interactions between people, spaces and objects.



| | | |
|---------------------|--------------|---|
| SKU | wooden tray: | DC-104 |
| | wooden base: | DC-103 |
| PRODUCT SIZE | wooden tray: | 229.5 × 42 × 2.6 cm 90 3/8" × 16 9/16" × 1" |
| | wooden base: | 229.5 × 42 × 17 cm 90 3/8" × 16 9/16" × 6 11/16" |
| WEIGHT | wooden tray: | 15.9 kg / 35.05 lbs |
| | wooden base: | 22 kg / 48.5 lbs |

MATERIAL natural oak

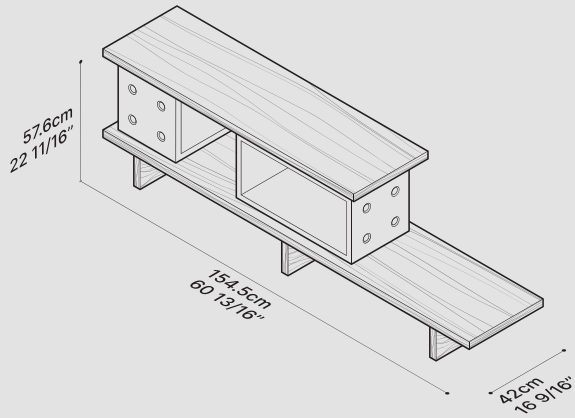
FINISHING rubio monocoat oil

COLOR  oak veneer

USE indoor use only

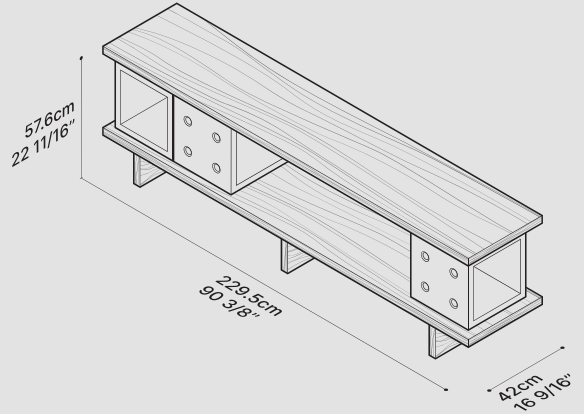
CLEAN & CARE do not use abrasive materials

● DICE 2295 ● STORAGE FURNITURE



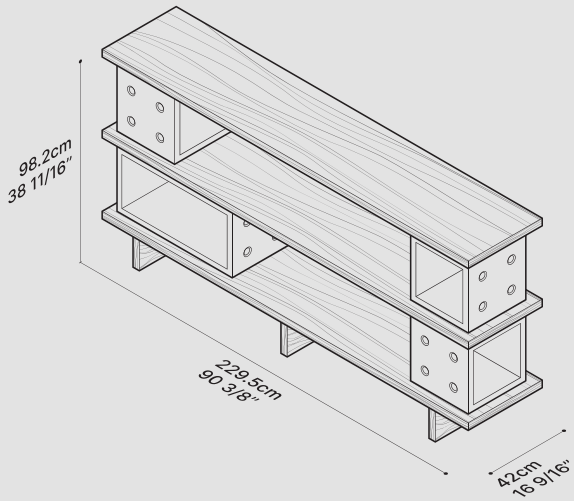
ASYMMETRICAL LOWBOARD

REF.DC-044



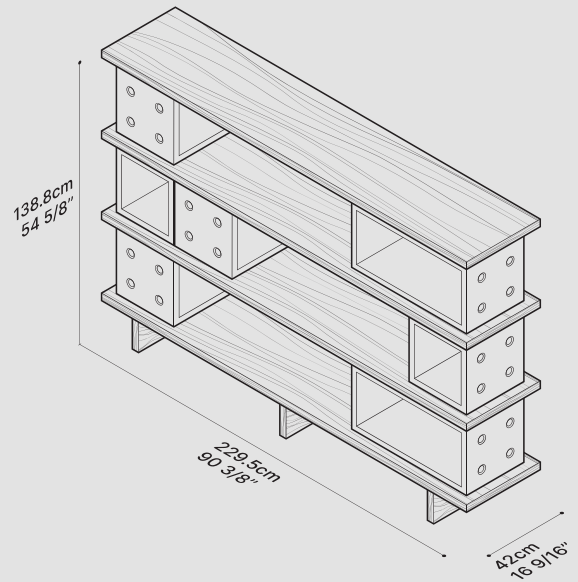
LOWBOARD

REF.DC-045



SIDEBOARD

REF.DC-046



BOOKCASE

REF.DC-047