

# DICE 1545

STORAGE FURNITURE



lyon beton

Contact  
[bonjour@lyon-beton.com](mailto:bonjour@lyon-beton.com)

● DICE 1545 ● STORAGE FURNITURE

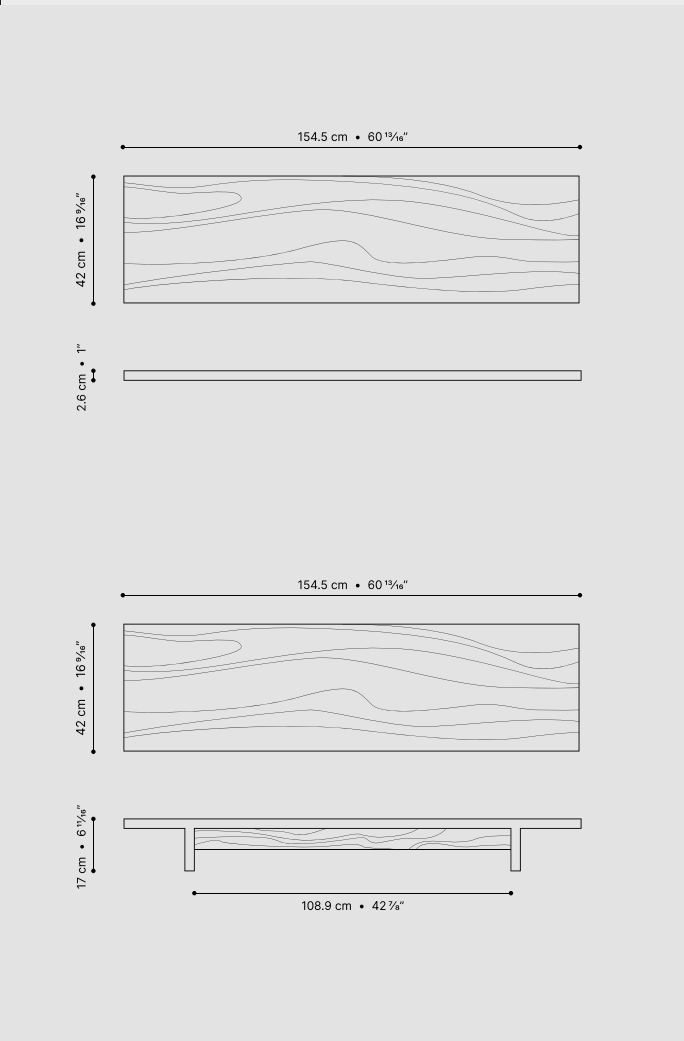


**DESCRIPTION**

Our designer Alexandre Dubreuil expands the possibilities with his modular concrete cube storage system, DICE. With the addition of a base and natural oak veneer shelves, these modules transform into a furniture centerpiece inspired by Charlotte Perriand's iconic cabinetry.

**DESIGNER**

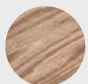
Alexandre Dubreuil's global experience, from the design of industrial objects to interior architecture for permanent spaces or events, leads him to reconsider the interactions between people, spaces and objects.



<b>SKU</b>	wooden tray:	DC-102
	wooden base:	DC-101
<b>PRODUCT SIZE</b>	wooden tray:	154.5 × 42 × 2.6 cm 60 13/16" × 16 9/16" × 1"
	wooden base:	154.5 × 42 × 17 cm 60 13/16" × 16 9/16" × 6 11/16"
<b>WEIGHT</b>	wooden tray:	10.6 kg / 23.37 lbs
	wooden base:	13.6 kg / 29.98 lbs

**MATERIAL** natural oak

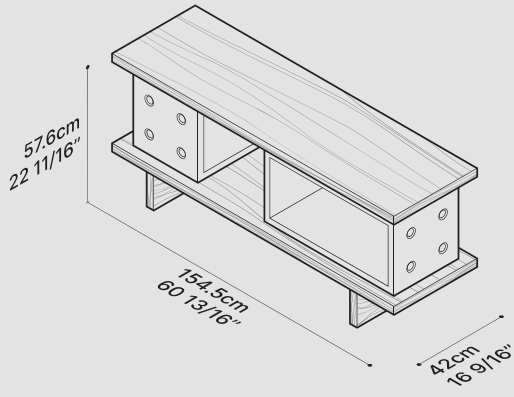
**FINISHING** rubio monocoat oil

**COLOR**  oak veneer

**USE** indoor use only

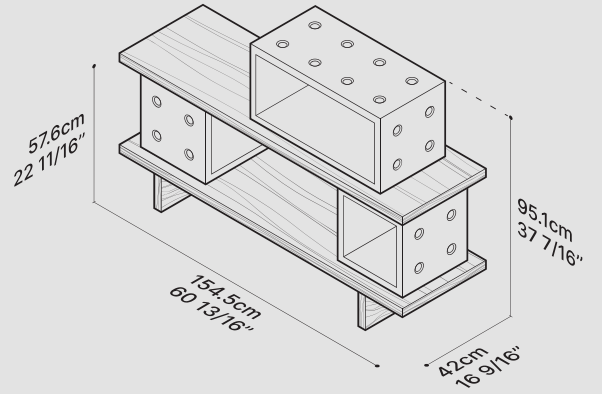
**CLEAN & CARE** do not use abrasive materials

● DICE 1545 ● STORAGE FURNITURE



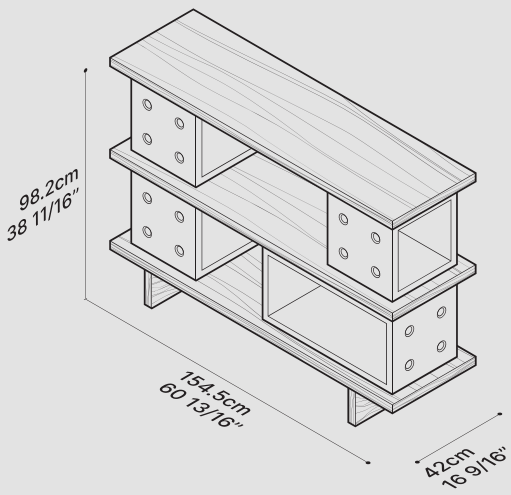
LOWBOARD

REF. DC-040



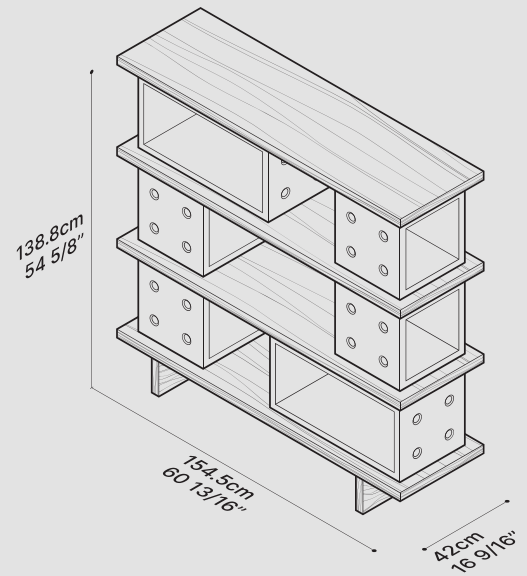
ASYMMETRICAL SIDEBOARD

REF. DC-041



SIDEBOARD

REF. DC-042



BOOKCASE

REF. DC-043