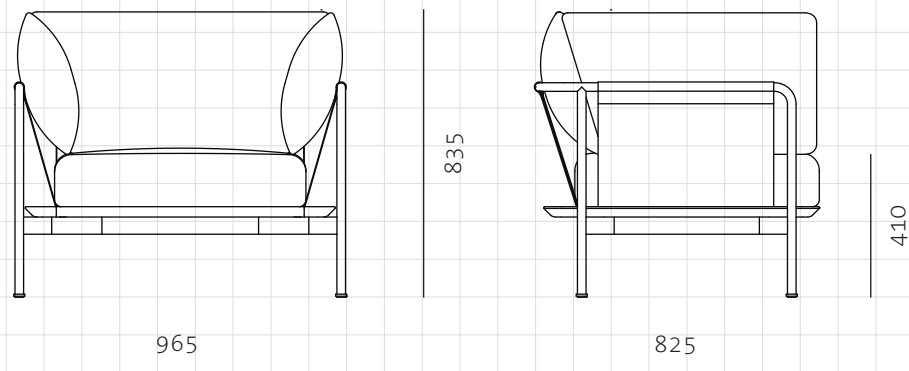


Crawford Lounge Chair 2.0



CODE

CR-S11-R2

DIMENSIONS

W965 x D825 x H835mm

NET WEIGHT

Seating height: 410mm

ENVIRONMENT

36.0 kg

MATERIALS

Indoor

Wood veneer base, Steel black powder coat matt, Upholstery

*Please refer to website or contact your local representative for complete material swatches.

SHIPPING

Package	Assembled		
Package Qty	1 pcs/box		
Packaging	Measurement (mm)	Volume (cbm)	Gross Weight (kg)
FCL	W1050 x D910 x H725	0.69	43.26
LCL/AIR	W1090 x D950 x H815	0.84	55.29