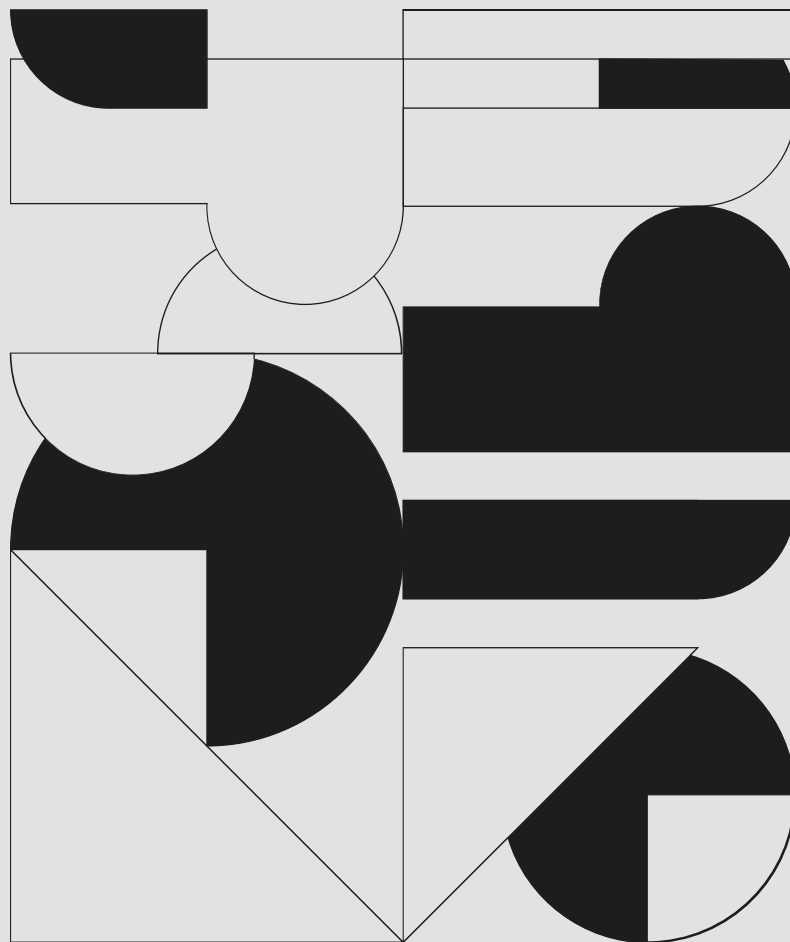


LYONBETON

CATALOG



EDITION

2023

NOTES



VENDOR CONTACT



KEY



OUTDOOR USE

Can be used indoors or outdoors



COVERED OUTDOOR USE

Can be used outdoors if protected from rain and sunlight.
In the winter months, cover your furniture with a waterproof, UV-resistant polyester cover.

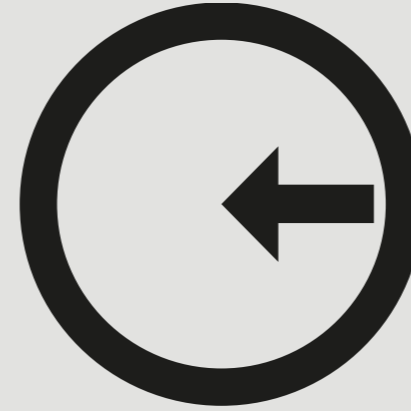


INDOOR USE ONLY



Molding material: a different approach to design

Unlike more traditional approaches, designing furniture using molded materials invites a fundamentally different creative process. The building blocks change. Gone are the mass-produced panels, and with them the limited scope that comes from working with prefab components. Form is transformed, creativity becomes boundless. It's a dizzying feeling. We work with concrete, a notoriously tricky material that imposes its own constraints. But within those constraints is our creative terrain, the space in which we're free to imagine, and to play. We've brought along some bold designers who get our approach and its potential. We've been at it for 10 years, and we're showing no signs of stopping.



Unprecedented design, with a hint of déjà vu

Our raw concrete might be "crude" in the literal sense, but that doesn't stop us from putting out products that are bold, elegant and totally original.

While we draw inspiration from the urban environment around us, our influences run deep. We are fascinated by the Bauhaus school and other design movements that explore how the combination of geometric shapes can be a philosophy of life, such as the De Stijl school, Art Deco, Brutalism and the more recent Memphis Group.

Among the figures who inspire us are Jean Prouvé, Frank Lloyd Wright, Le Corbusier, Charlotte Perriand and Raymond Loewy. These masters, most of whom come from a background in industrial design, have all contributed to the originality of Lyon béton's creations.



10100 ● ROUND DONUT



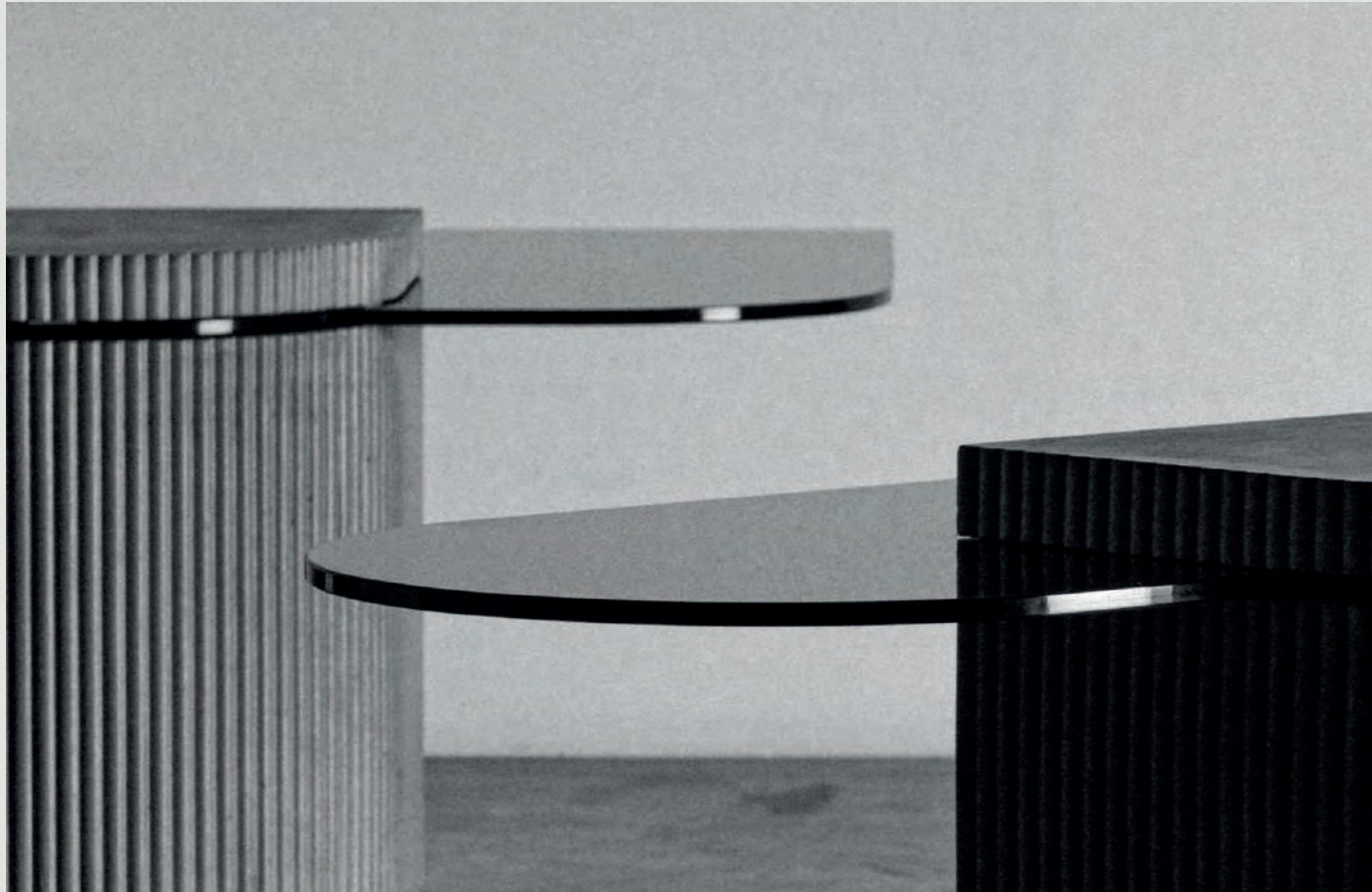
10100 ● ROUND DONUT



D-09900 ● BAK SINK

D-09900 ● BAK SINK



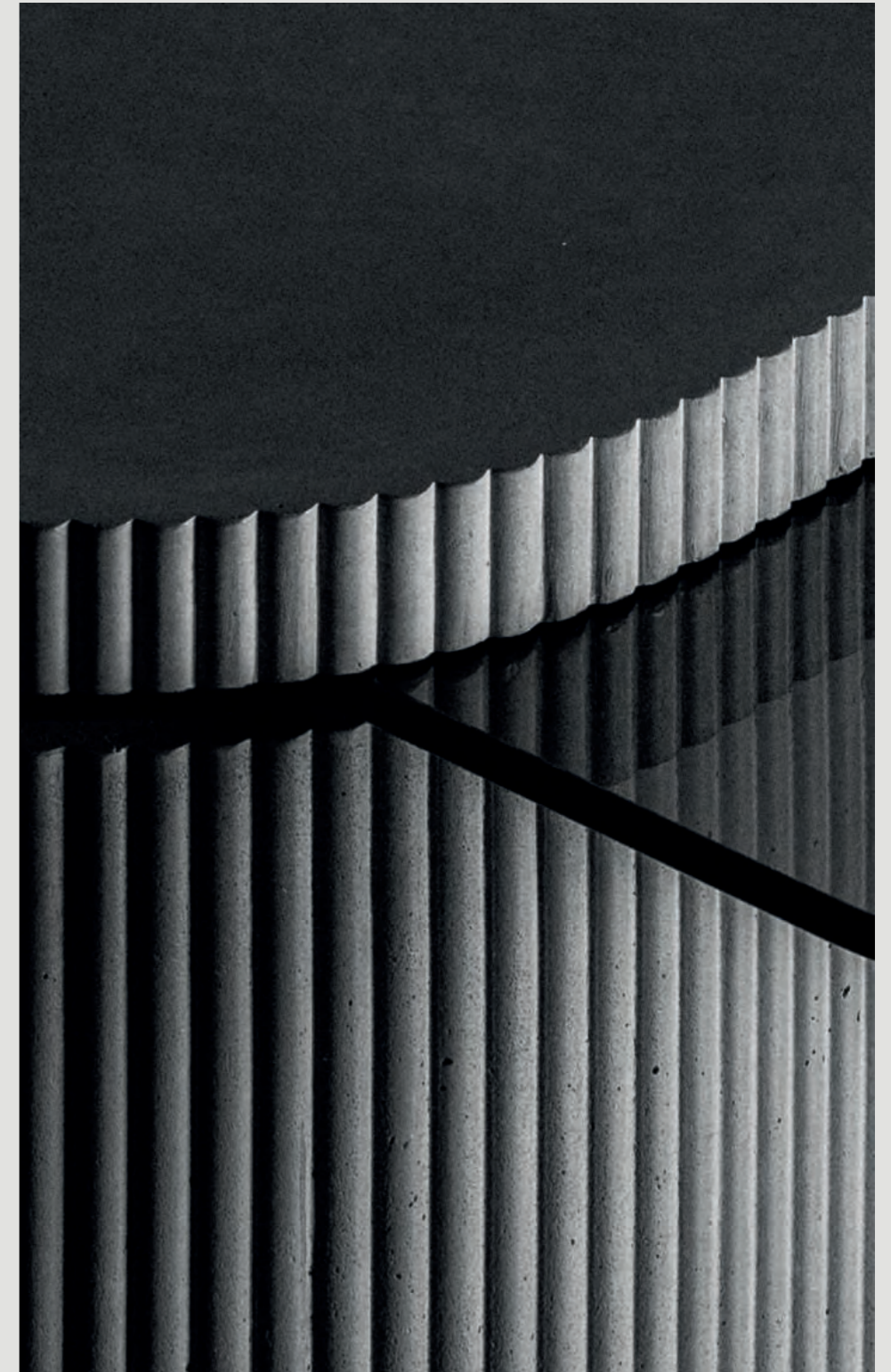


10133 & 10135 ● STRUT PILL & SQUARE

A sense of responsibility

We stand strongly against the trend toward disposable home furnishings. From design to construction, everything we do is done to make our products last. If you take care of these pieces, they will be in your life for a long time. And since we don't follow trends, our creations never go out of fashion; you might even call them "timeless," not that we would ever be so presumptuous.

We strive to limit our environmental impact at all levels: design, construction, packaging, shipping. We've set out to do better, and we know there's always room to improve.



10133 ● STRUT PILL



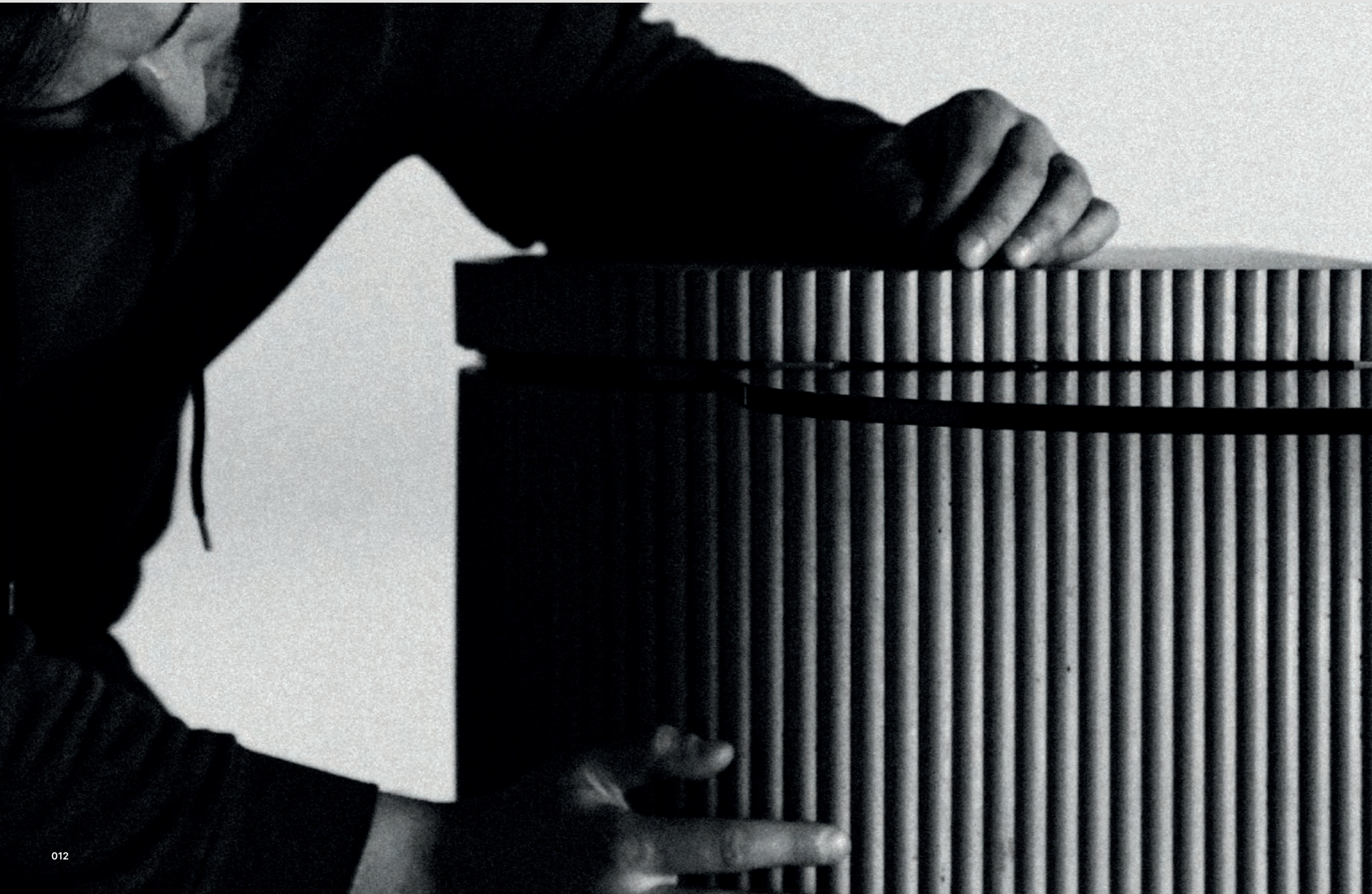
A good part of our history is tied to spaces like these. While other designers have shunned them, we've taken them on.

DB-09104 ● TOILET PAPER HOLDER - L



Industrial handcraft

We could have been artisans. We have a lot of respect for those whose work is tailor-made. But what really gets us going is producing our creations at scale. Seeing a concept go from blueprint to reality excites us. We love the challenge of turning a prototype into an entire manufacturing process.





Overview

DC-047 ● DICE 2295 BOOKCASE



018

TABLES

● dining tables ● coffee tables ● end tables ● tv stands ● bistro tables

054

SEATS

● chairs ● counter stools & barstools ● armchairs ● other stools

078

STORAGE

● modules ● shelves

108

ACCESSORIES

● magazine racks ● clocks ● bookends ● vases ● planters ● desk organizers ● lamps ● decorations ● sinks

138

INDEX

TABLE ● noun.

A piece of furniture that serves above all to foster a sense of community.
Homo erectus had the hearth, modern man has the table. Sometimes more than one.



TABLES

DINING TABLES ● P021

COFFEE TABLES ● P027

TV STANDS ● P040

END TABLES ● P043

BISTRO TABLES ● P049



01

DINING TABLES


SHARP OBLONG

SKU SHRP-001

designer Bertrand Jayr

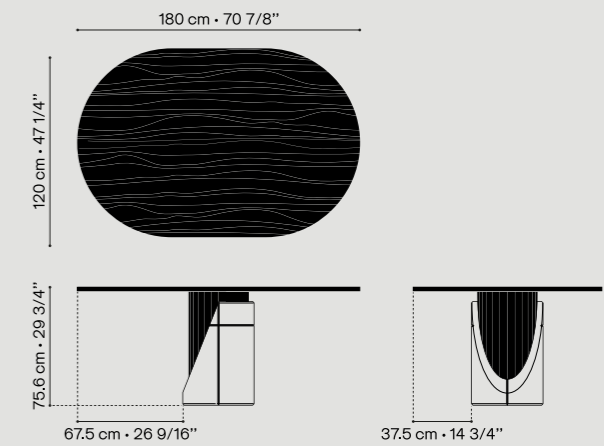
dimensions 180 × 120 × 75.6 cm (70.87 × 47.24 × 29.76 in)

net weight 118kg (260.15 lbs)


use 

materials, finish	barrel	steel, black epoxy finish
	top	particle board with oak veneer
	body	concrete

With the Sharp dining table, designer Bertrand Jayr deconstructs the symbiosis between concrete and metal. The reversible concrete ballast protects and reveals a black metal shaft with delicate facets. The oak veneer top is tinted with a deep matte black oil. The oblong version of 180 cm long by 120 cm wide can comfortably accommodate 6 to 8 people.



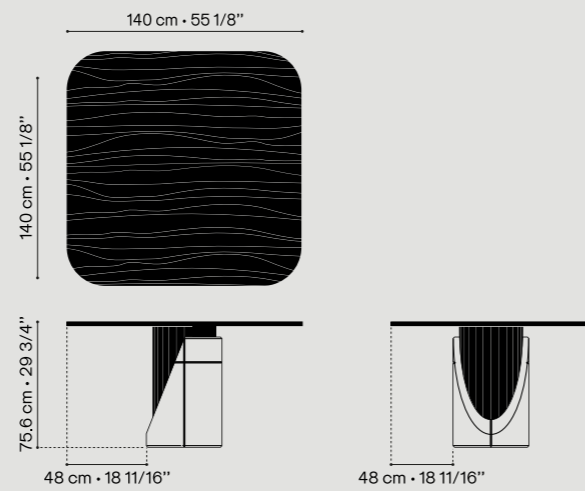
SHARP SQUARE

SKU	SHRP-002
dimensions	140 × 140 × 75.6 cm (55.12 × 55.12 × 29.76 in)
net weight	118 kg (260.15 lbs)
usage	

designer Bertrand Jayr

With the Sharp dining table, designer Bertrand Jayr deconstructs the symbiosis between concrete and metal. The reversible concrete ballast protects and reveals a black metal shaft with delicate facets. The oak veneer tabletop is tinted with a deep matte black oil. The square version of 140 cm can easily accommodate 6 guests.

materials, finish	barrel	steel, black epoxy finish
	top	particle board with oak veneer
	body	concrete




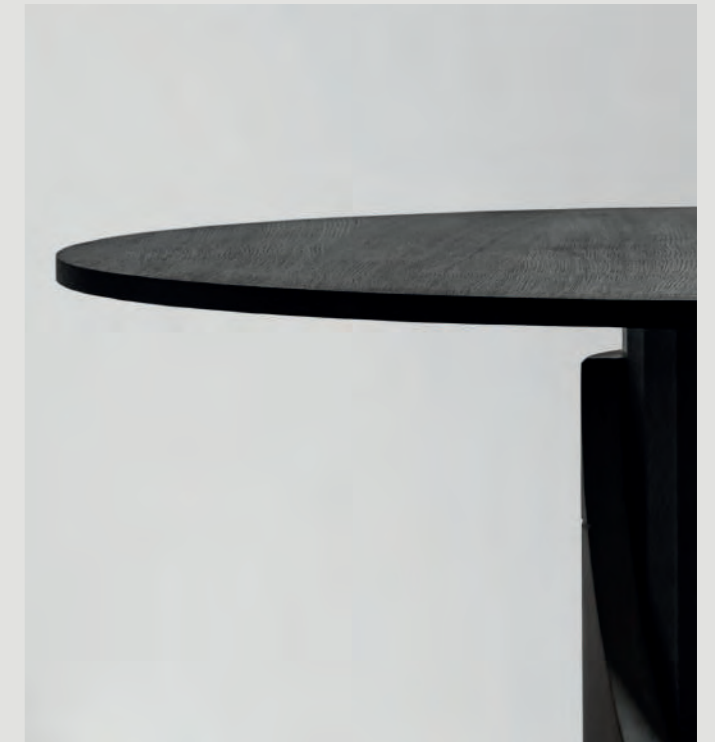
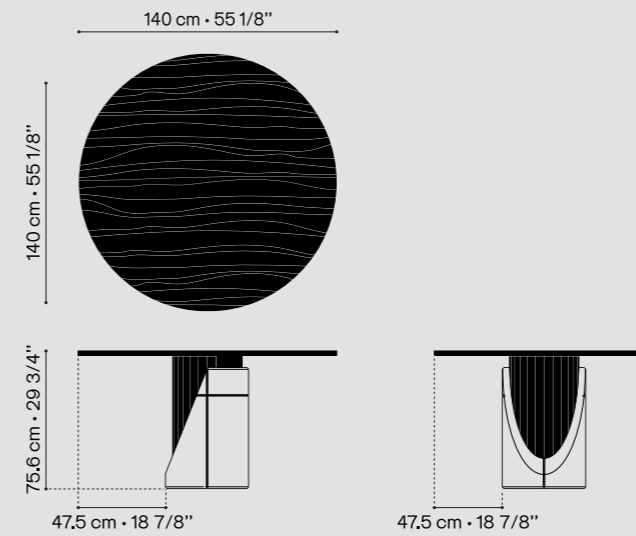
SHARP ROUND

SKU	SHRP-003
-----	----------

designer Bertrand Jayr

With the Sharp dining table, designer Bertrand Jayr deconstructs the symbiosis between concrete and metal. The reversible concrete ballast protects and reveals a black metal shaft with delicate facets. The oak veneer tabletop is tinted with a deep matte black oil. The round version of 140 cm in diameter can comfortably accommodate 6 guests.

dimensions	140 × 140 × 75.6 cm (55.12 × 55.12 × 29.76 in)	
net weight	108.5 kg (239.20 lbs)	
usage		
materials, finish	barrel	steel, black epoxy finish
	top	particle board with oak veneer
	body	concrete





10133 & 10135 ● STRUT COFFEE TABLE

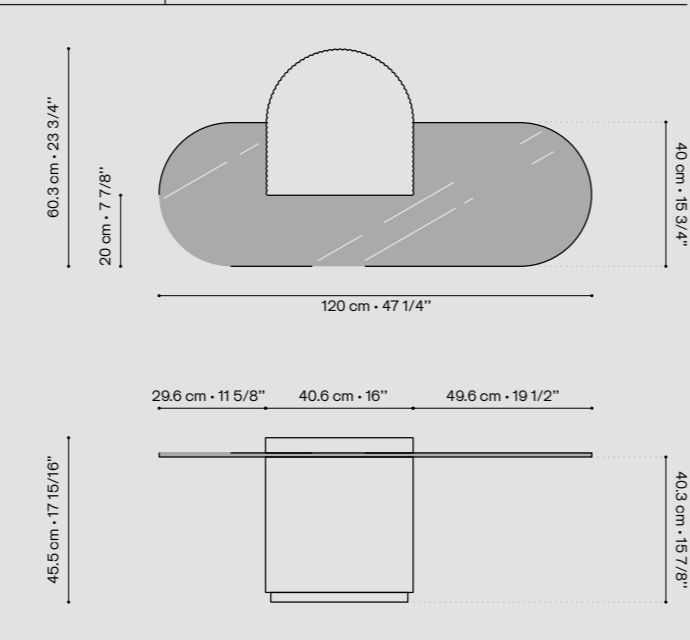


COFFEE TABLES

STRUT PILL

SKU	10133
dimensions	120 × 60 × 45 cm (47.24 × 23.62 × 17.72 in)
net weight	54kg (119.05 lbs)
designer	Bertrand Jayr
use	

materials, finish	base	concrete
	top	dark gray tempered glass

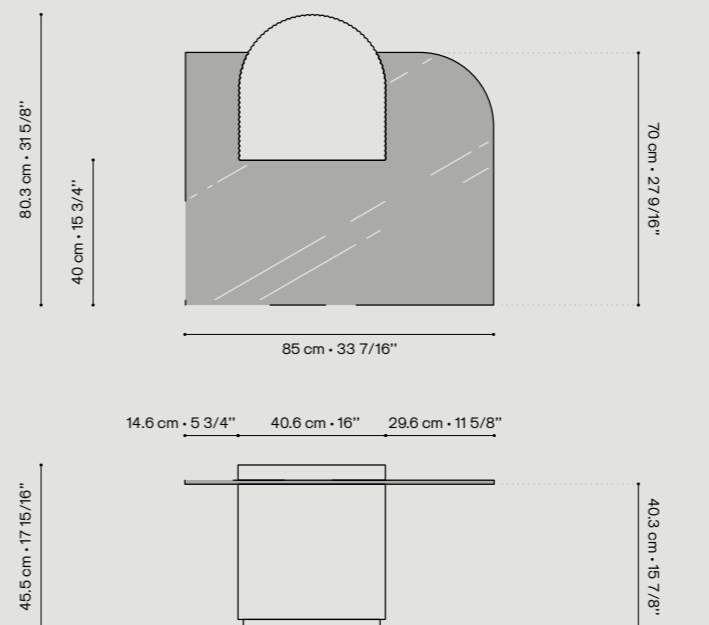


Lyon Béton and designer Bertrand Jayr have teamed up once more to bring you this sensuous, multi-use table. A hybrid of a coffee table and a gueridon, Strut features a two-tiered, two-medium tabletop that invites you to arrange your decorative items and other objets d'art like actors in a miniature theater. The pedestal's fluting brings added texture to the concrete. Let it catch the light and cast shadows. Run your hand along the pedestal's curved sides and you'll hear it purr beneath your fingers. This version, which features an oblong tabletop, creates a playful sense of disequilibrium offset by the sturdy concrete pedestal. The glass tabletop is reversible, the better to adapt to your living room.



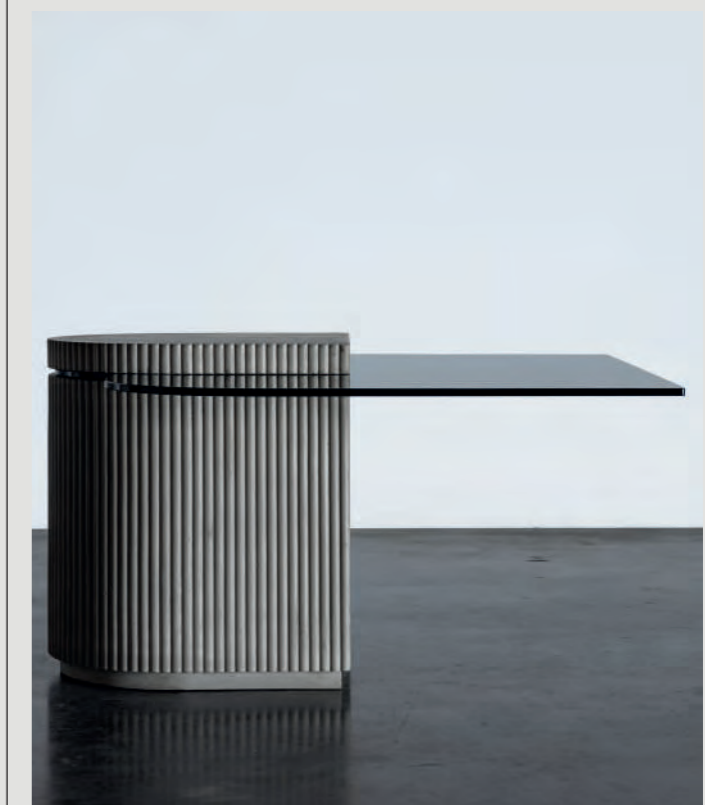
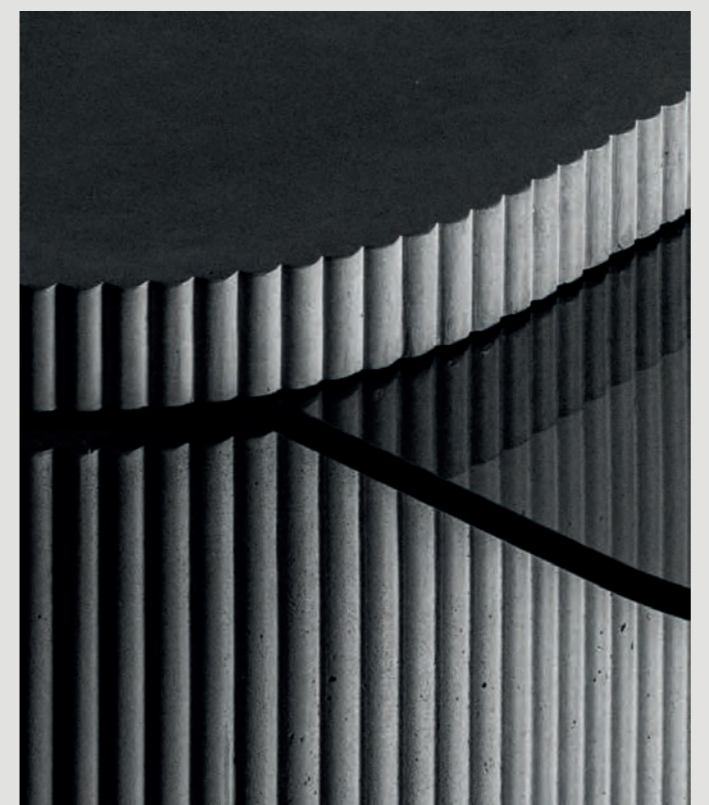
STRUT SQUARE

SKU	10135
-----	-------



dimensions	85 × 80 × 45 cm (33.46 × 31.5 × 17.72 in)	
net weight	58kg (127.87 lbs)	
use		
materials, finish	base	concrete
	top	dark gray tempered glass


Lyon Béton and designer Bertrand Jayr have teamed up once more to bring you the multi-use table Strut. A hybrid of a gueridon and a coffee table, Strut features a glass tabletop mounted to a concrete pedestal, creating a stage for showstopping decorative items and other objets d'art. The pedestal's fluting brings added texture to the concrete. Let it catch the light and cast shadows. The tinted glass tabletop performs its own role in this play of contrasts. The quarter-squircle tabletop (square with one rounded corner) can be reversed, helping your table fit into many different kinds of interiors. Place it on its own in a small living room or combine it with other low coffee tables.



CURB

dimensions 125 × 56.2 × 37.5 cm (49.21 × 22.15 × 14.76 in)

net weight 38kg (110.89 lbs)

use 

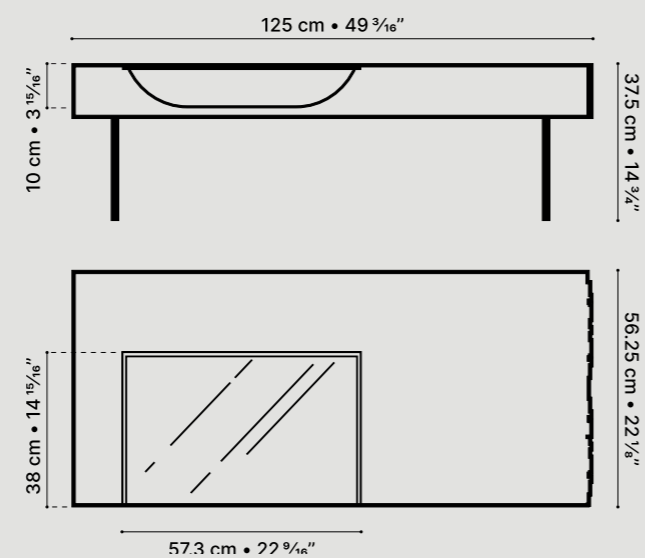
materials, finish	top	concrete
	frame	steel, black epoxy finish
	glass top	dark gray tempered glass

SKU 10103

designer Bertrand Jayr



Our Curb coffee table is a complex and harmonious mix of different time periods and styles. The bas-relief frieze recalls the detailing of early 20th century Art Deco buildings, with a motif inspired by the designs of the Bauhaus school.



The recess topped with smoked glass is an homage to the 1970s, but the table's overall style is undeniably contemporary, drawing on modern cityscapes for inspiration. The concrete block tabletop floats 25 cm above the floor on four thin metal cylinders that provide heavy-duty support.

TWIST

SKU S-09260-PE-011

dimensions 136 × 80 × 44 cm (53.54 × 31.5 × 17.32 in)

net weight 48kg (106.40 lbs)

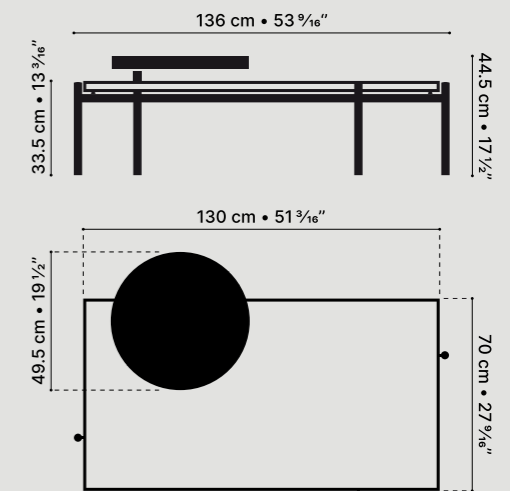
designer Alexandre Dubreuil

use



materials, finish	top	concrete
	frame	steel, black epoxy finish

Alexandre Dubreuil designed this coffee table featuring a concrete top and black-lacquered metal base. The additional perforated sheet-metal tray table rotates 360° and makes an ideal surface for a cocktail, TV dinner, tablet or laptop ...
You'll wonder how you ever lived without it.





PERSPECTIVE 1000x1000

dimensions 100 × 100 × 30 cm (39.37 × 39.37 × 11.81 in)

use



materials,
finish

top concrete

frame steel, black matte finish

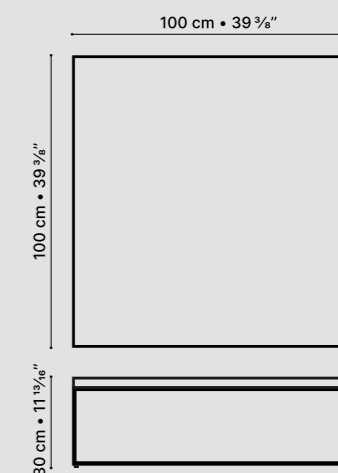
SKU

10124


net weight

48kg (104.06 lbs)

A design classic, reimagined with a concrete top and extra care in every detail. Clean lines and balanced proportions throughout. Shown here in an XL format, with a square-meter tabletop.

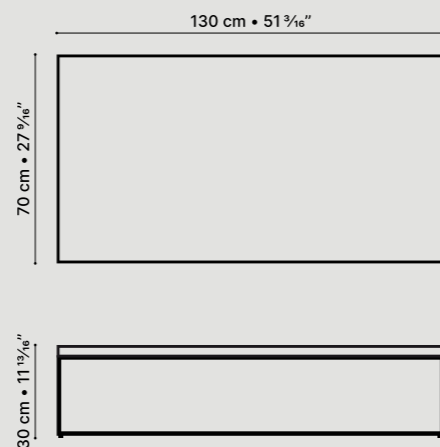


PERSPECTIVE 1300x700

materials, finish	top	concrete	use 
	frame	steel, black matte finish	


All of the table frames in our perspective collection are welded. They are then coated in a matte finish that lets both the metal's patina and the magnificent welding work shine through. A small, elegant gap has been left between the concrete tabletop and the frame.

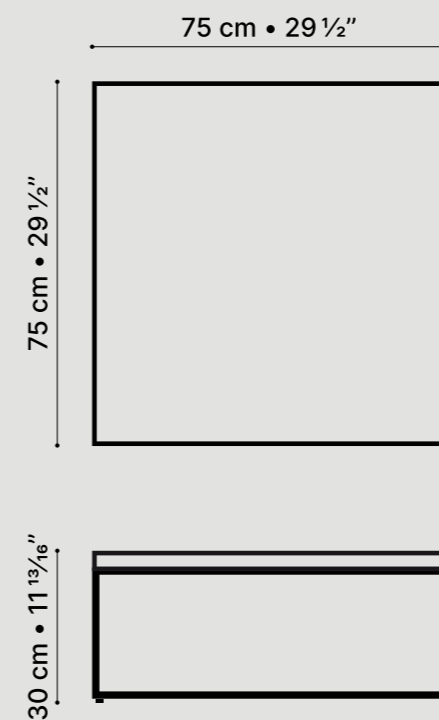
SKU	10125
dimensions	130 × 70 × 30 cm (51.18 × 27.56 × 11.81 in)
net weight	48kg (105.82 lbs)



PERSPECTIVE 750x750

SKU	10123
materials, finish	top: concrete frame: steel, black matte finish

dimensions	75 × 75 × 30 cm (29.53 × 29.53 × 11.81 in)
net weight	32kg (68.56 lbs)
use	



We usually recommend the square-meter XL version of this graceful coffee table. But the 75-cm version is just as poised and balanced. Narrow living room? No problem. We've got you covered.




MONOBLOC RECTANGULAR

SKU **D-09545**

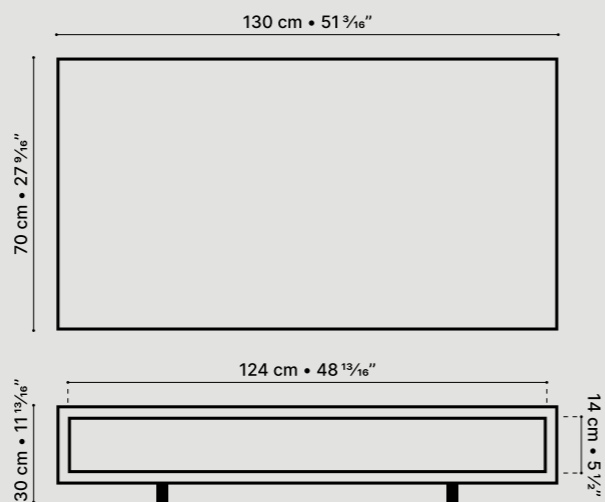
net weight **64kg (141.10 lbs)**

Monobloc is our most minimalist collection. This coffee table is made from a single concrete block that distills our whole approach to raw material. Underneath, you'll find a generous storage space, as well as a set of caster roller wheels for easy movement.

dimensions **130 × 70 × 25 cm (51.18 × 27.56 × 9.84 in)**


use 

materials	top	concrete
	stand	powder coated steel



MONOBLOC

dimensions 150 × 45 × 31 cm (59.06 × 17.72 × 12.2 in)

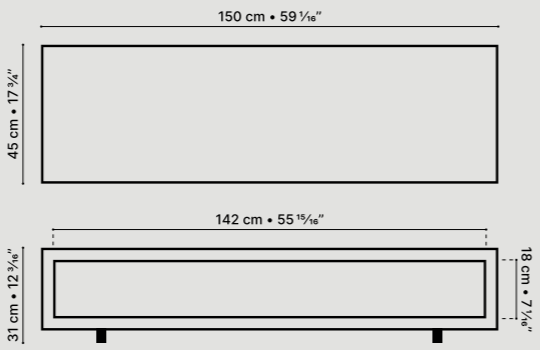
use 

materials, finish	top	concrete
	feet	steel, matte finish

SKU D-09546


net weight 50kg (110.23 lbs)

The minimalist TV stand par excellence. One piece of concrete cast in a single block. An understated and elegant design, with plenty of headroom underneath for your video and audio devices.




MONOBLOC ON WHEELS

dimensions 150 × 45 × 31 cm (59.06 × 17.72 × 12.20 in)


use 

materials	top	concrete
	wheels	polyurethane

SKU D-09543

net weight 64 kg (110 lbs)

The Concrete Monobloc TV Bench designed by Lyon Béton rolls beautifully on the ground and is specially designed to accommodate your flat screen TV. Characterized by its clean lines, its straightforward geometric configuration, its simplistic qualities, use of concrete as the primary medium, the bench takes on a comprehensive raw and modern design. The hollow central compartment visually lightens the piece and also provide a fully functional storage space for your books, any of your routers or other objects. The Concrete Monobloc TV Bench is entirely functional because of its easy transportation capabilities with the help of the swiveling castors. Enhance your living arrangement.






03

END TABLES

CURB

SKU

10129

dimensions 30 × 30.9 × 47.7 cm (11.81 × 14.13 × 18.8 in)

net weight 15kg (32.19 lbs)

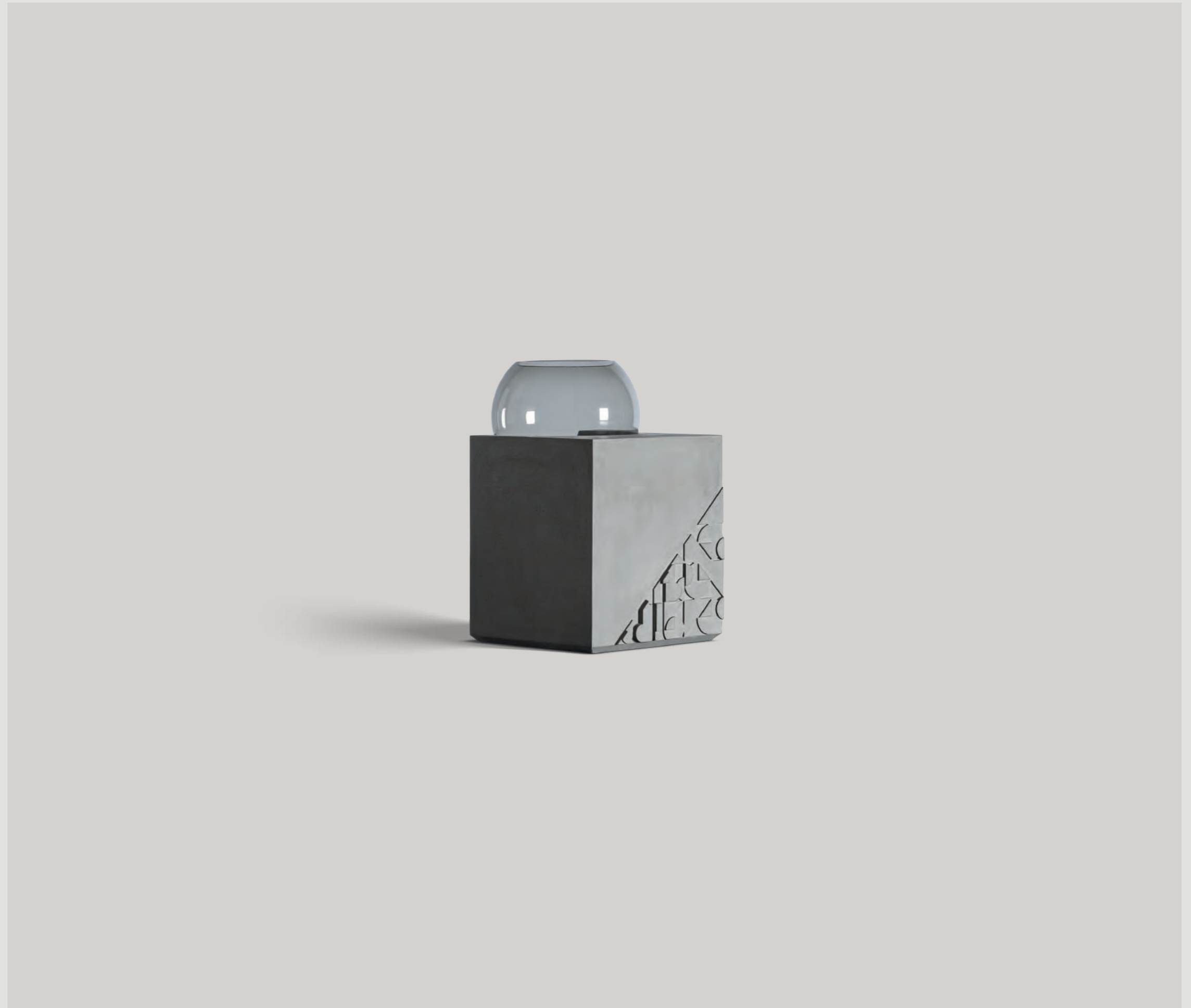
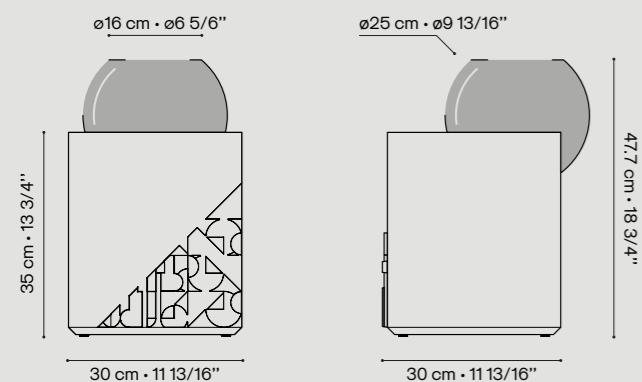
use



materials, finish	base	concrete
	globe	hand-blown glass

designer Bertrand Jayr

This concrete cube makes for the perfect side table or end table, thanks to its deliberately compact size, which allows it to slide in and out of all kinds of spaces. The cube cradles a sphere-shaped, artisanal blown-glass bowl. At first glance, this feature comes as a surprise. Take another look, and you'll see that designer Bertrand Jayr is extending an open invitation to make this glass bowl your own. The wheels of your imagination start to turn. This hybrid piece of furniture becomes more than a simple side table. Terrarium? Vase? Candy dish? Yes, that's a good start. You'll find a thousand other uses when you make this table a part of your daily routine.




TWIST

SKU D-09400-PE-014

dimensions 45 × 45 × 61 cm (17.72 × 24.02 × 24.02 in)

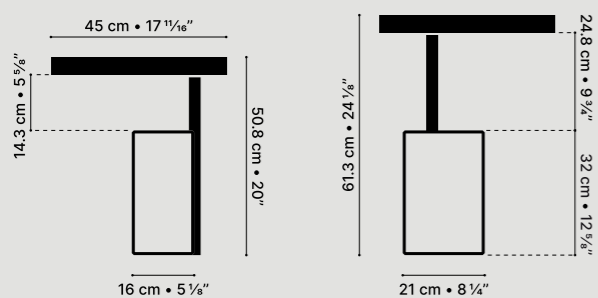
net weight 16kg (35.27 lbs)

use 

materials, finish	base	concrete
	top	steel, black epoxy finish


designer Alexandre Dubreuil

The ideal companion for any couch or armchair. The elegant perforated-metal tray rotates a full 120° atop a base of raw concrete. This end table makes a perfect surface for a TV dinner, magazine or tablet. A gentle nudge and it moves right out of your way.



PERSPECTIVE

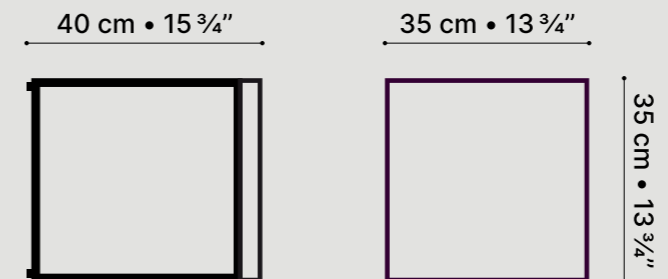
SKU 10122

use 

dimensions 35 × 35 × 40 cm (13.78 × 13.78 × 15.75 in)

net weight 10kg (21.27 lbs)

materials, finish	top	concrete
	frame	steel, black matte finish



Airy and refined, our Perspective end table, crafted from metal and concrete, goes perfectly anywhere in your home, whether in the living room next to your couch or as a nightstand in a bedroom.



04


BISTRO TABLES

DONUT

SKU 10100

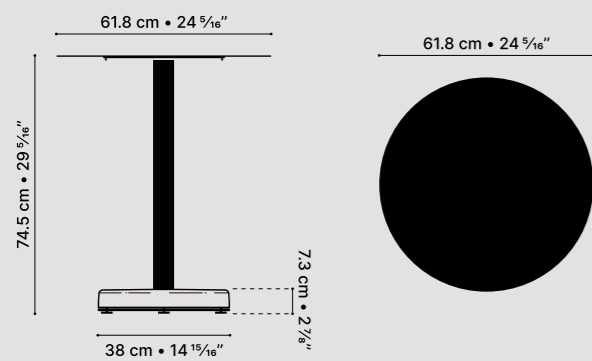
dimensions $\varnothing 62 \times 74.5 \text{ cm}$ ($\varnothing 24.3 \times 29.3 \text{ in}$)

net weight 19kg (42 lbs)

use 

materials, finish	base	concrete
	table top	black powder coated aluminium fine-textured
	base	black powder coated aluminium soft touch

Our Donut collection pays homage to all the good times spent around a bistro table. Designed with cafés and restaurants in mind, these small dining tables will bring bistro vibes to your kitchen, balcony or patio.





DONUT CUTAWAY


SKU

10102

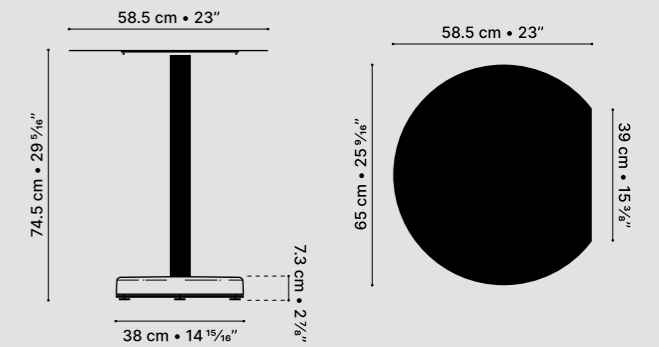
Shown here with a cutaway tabletop, this table can sit flush against a wall or balcony guardrail, helping you save precious space. Perfect for a solo coffee break, dinner date or tête-à-tête.

dimensions 65 × 58.5 × 74.5 cm (25.6 × 23.03 × 29.3 in)

net weight 19 kg (41.78 lbs)

use 

materials, finish	base	concrete
	table top	black powder coated aluminium fine-textured
	base	black powder coated aluminium soft touch




In this collection, our concrete serves as ballast. That doesn't mean we've hidden it away. On the contrary: we've enhanced the concrete base with a bas-relief frieze inspired by both Brutalism and Art Deco, giving this bistro table a striking personality all its own.



DONUT RECTANGULAR

dimensions 70 × 59 × 74.5 cm (27.56 × 23.23 × 29.33 in)

use 

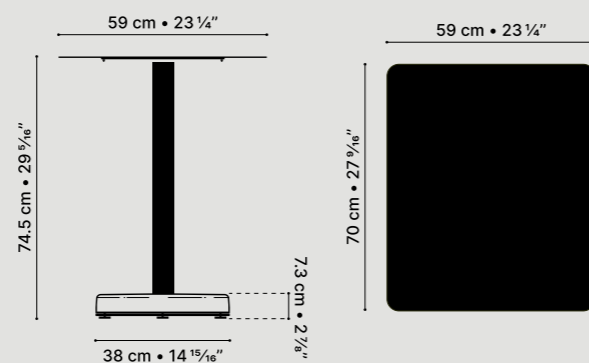
materials, finish	base	concrete
	table top	black powder coated aluminium fine-textured
	base	black powder coated aluminium soft touch

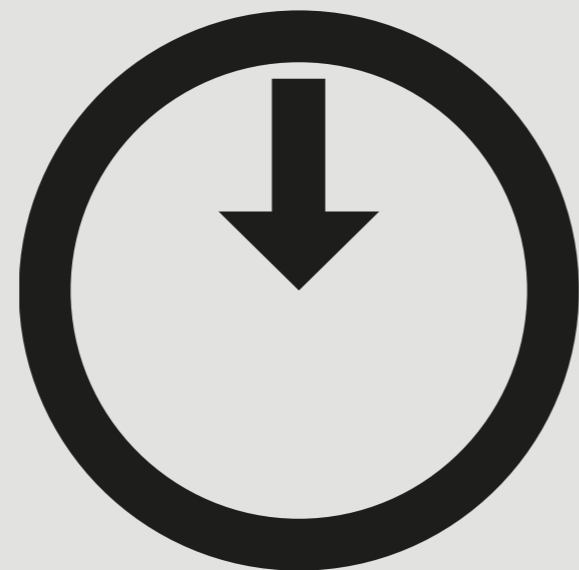
SKU 10101

net weight 20kg (44.42 lbs)



The pedestal is made of aluminum with a black matte epoxy finish.





CHAIRS • P059

COUNTER STOOLS & BARSTOOLS • P063

ARMCHAIRS • P069

OTHER STOOLS • P075

SEATS • noun.


A piece of furniture that should be comfortable, even when made out of concrete.
If you are not comfortable, check to make sure that you're not seated on the coffee table.

SEATS

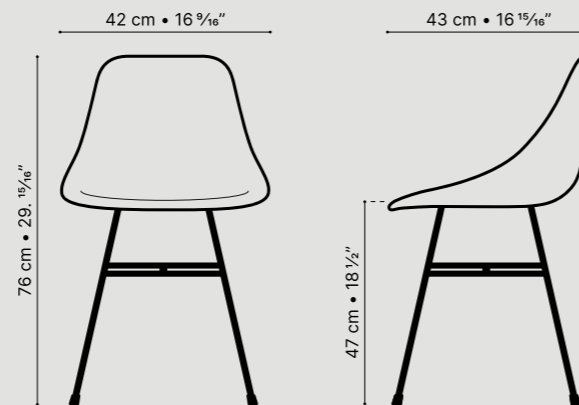


DL-09181-PL-004 ● HAUTEVILLE WITH PLYWOOD FEET

01
CHAIRS

<h1>HAUTEVILLE</h1>		SKU	DL-09229
		dimensions	46 × 45.5 × 77.5 cm (18.11 × 17.91 × 30.51 in)
		net weight	11kg (22.05 lbs)
materials, finish	seat	concrete	use 
	legs	rebar, polyurethane varnish	designer

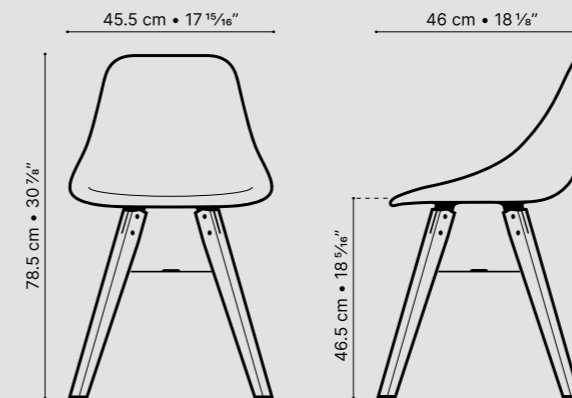
Made from concrete, fiberglass and rebar, this contemporary and undeniably comfortable chair is much more than the sum of its parts.




HAUTEVILLE PLYWOOD

SKU	DL-09181-PL-004
designer	Henri Lavallard Boget

This chair's wooden legs are made of heavy-duty birch plywood. The concrete seat cradles your body and sports a comfortable, "leathery" interior that is soft to the touch. But run your hand along the back and you'll find the rough traces of the Hauteville's Brutalist inspiration.



dimensions	46 × 45.5 × 78.5 cm (17.91 × 18.11 × 30.91 in)	
net weight	11kg (24.25 lbs)	
use		
materials, finish	seat	concrete
	legs	birch plywood






02

COUNTER STOOLS &
BARSTOOLS

HAUTEVILLE 670

dimensions 45 × 45.5 × 82 cm (17.72 × 17.91 × 32.28 in)

net weight 11kg (24.25 lbs)

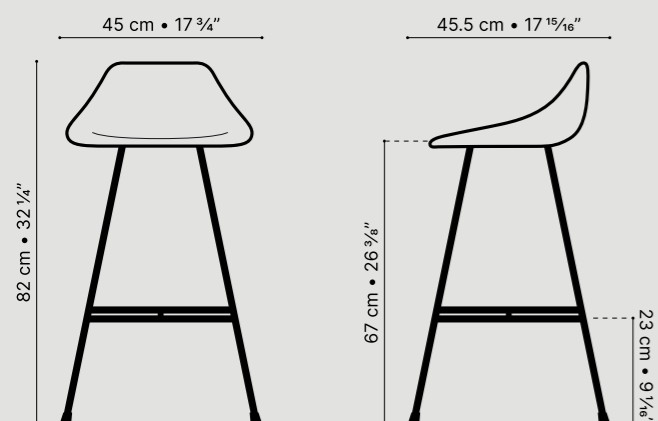
use 

SKU DL-09227

designer Henri Lavallard Boget


materials, finish	seat	concrete
	legs	rebar, polyurethane varnish

Like it or not, kitchen islands are in fashion. How do you make yours stand out? With striking counter stools. These ones happen to be really comfortable, too.



HAUTEVILLE 670 PLYWOOD

dimensions 45 × 45.5 × 77.5 cm (17.72 × 17.91 × 30.51 in)

use 

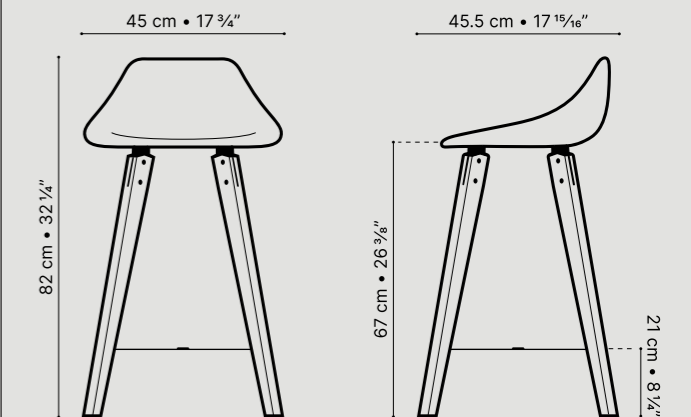
materials, finish	seat	concrete
	legs	birch plywood

SKU DL-09187-PL-007

net weight 8.5kg (18.74 lbs)

designer Henri Lavallard Boget

This version of our concrete Hauteville counter stool features wooden legs for a warmer look. No less comfortable than the rebar version, it's the kind of seat you'll want to hang out in all night long, putting the world to rights without hurting your back.



HAUTEVILLE 770

SKU

DL-09226

dimensions 44 × 43 × 93.5 cm (17.32 × 16.93 × 36.81 in)

net weight 12kg (26.46 lbs)

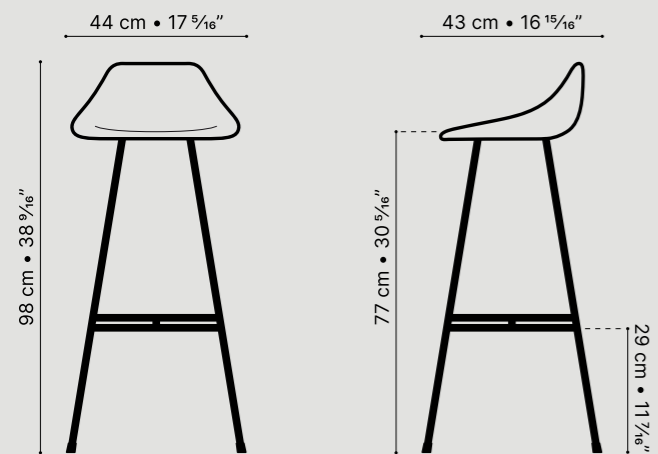
use



materials, finish	seat	concrete
	legs	rebar, polyurethane varnish

designer Henri Lavallard Boget

This concrete barstool designed by Henri Lavallard Boget sets a tone, establishes a mood. The curvature of the seat provides the kind of lumbar support that any barfly will appreciate. Monsieur Serge Gainsbourg would approve.






03

ARMCHAIRS

HAUTEVILLE

dimensions 64 × 71 × 72 cm (25.2 × 27.95 × 28.35 in)

net weight 20kg (44.09 lbs)

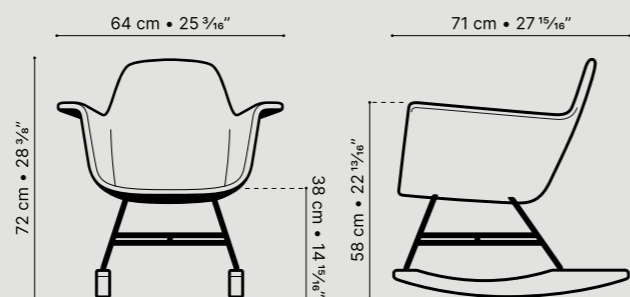
use 

SKU	DL-09190-PL-001
designer	Henri Lavallard Boget

materials, finish	seat	concrete
	base	rebar, birch plywood

Step up your living room's personality with this iconic piece, a concrete rocking chair that is at once stately and subtle.


Try it out for yourself. This chair is so comfortable that, once you've sat in it, you won't want to get up — unless you're topping up your brandy, that is.



HAUTEVILLE LOW ARMCHAIR

dimensions 64 × 59 × 65 cm (25.2 × 23.23 × 25.59 in)

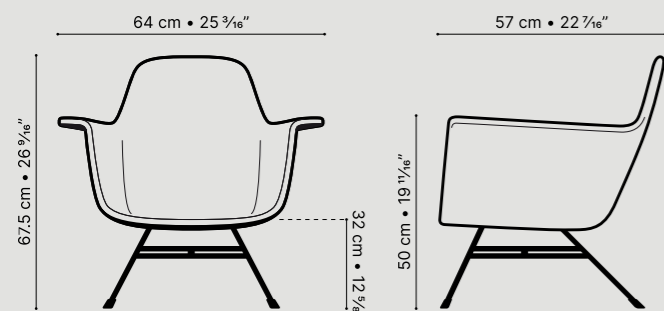
net weight 19kg (41.89 lbs)

use 

SKU	DL-09194
designer	Henri Lavallard Boget

materials, finish	seat	concrete
	legs	rebar, polyurethane varnish


This iconic armchair leaves an impression wherever it goes. Go on. Give it a try.



HAUTEVILLE HIGH ARMCHAIR

dimensions 64 × 57 × 85 cm (25.2 × 22.44 × 33.46 in)

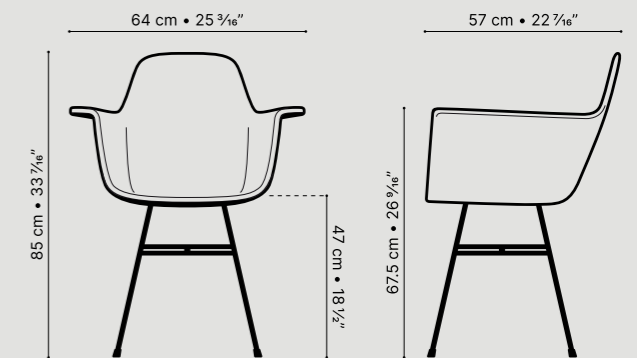
net weight 20kg (44.09 lbs)

use 

SKU	DL-09195
designer	Henri Lavallard Boget

materials, finish	seat	concrete
	legs	rebar, polyurethane varnish

This concrete armchair cradles your body for a comfortable and sturdy seat. Goes great at the head of your dining table, as a computer chair in a home office, as a spare chair in a bedroom, or in a doctor's office waiting room.





04


OTHER STOOLS

BRIDGE

SKU DL-09113

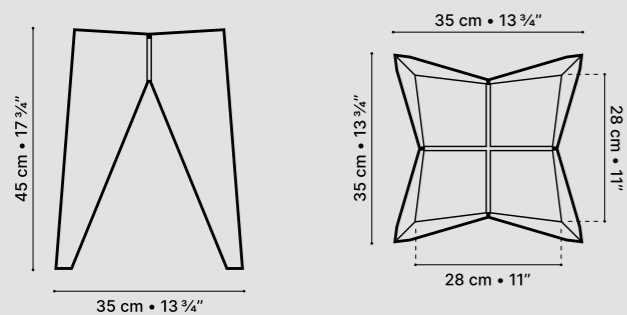
dimensions 35 × 35 × 45 cm (13.78 × 13.78 × 17.72 in)

net weight 13kg (28.66 lbs)

use 

materials	seat	concrete
-----------	------	----------

designer Henri Lavallard Boget, Julie Legros




EDGE

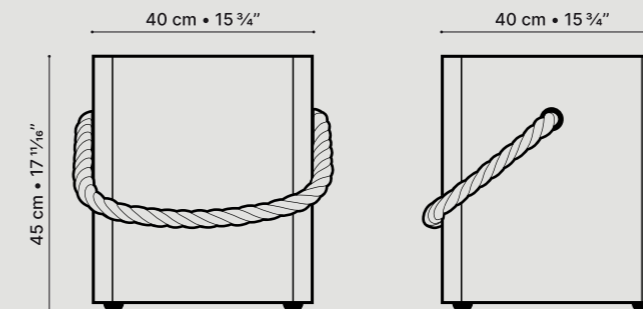
SKU DL-09035WR

dimensions 40 × 40 × 45 cm (15.75 × 15.75 × 17.72 in)

net weight 22kg (48.5 lbs)

use 

materials, finish	structure	concrete
	cord	jute

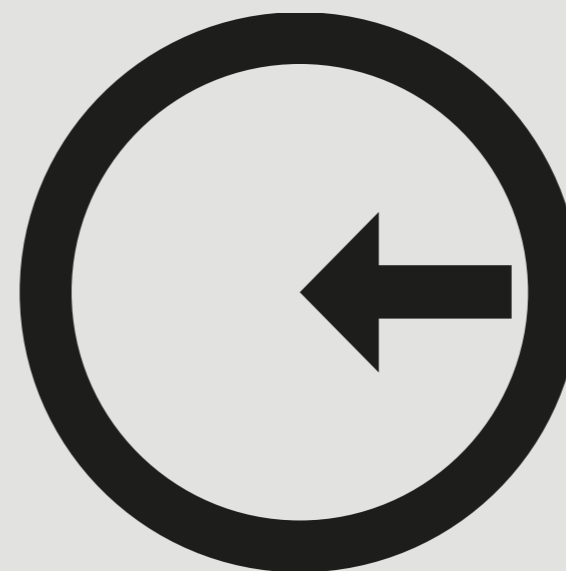


This rolling concrete stool is a must, both for its one-of-a-kind look and its practical features. The four swiveling rollers and natural jute pull cord allow for quick and easy movement.

STORAGE

MODULES • P081

SHELVES • P099



03

STORAGE ● noun.

Any kind of furnishing that lets you show off the objects that inspire you – and keep out of sight the ones that don't. If your storage solution looks good, all the better. So long, Billy.

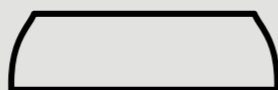
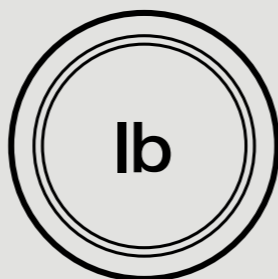
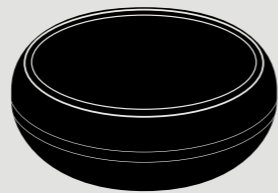


D-09173 ● DICE L



MODULES

DICE MODULAR STORAGE SYSTEM



When you have blocks lying around, you're going to want to stack them. It's a habit we all learn as kids. Here at Lyon Béton, we are big kids. When we see blocks, we stack. We just can't help ourselves.

“Coming up with an all-new concrete cubical storage system is a tall order for any designer, especially with the constraint that it be made entirely out of concrete. I immediately loved Lyon Béton’s proposal. I turned to architecture for inspiration: Tadao Ando’s work is a clear influence. The rest comes down to nice proportions and a bit of rubber.”

– Alexandre Dubreuil, designer of the Dice system.



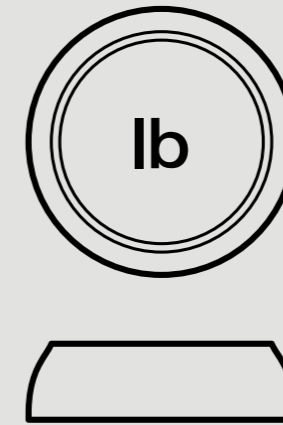
Dice isn't simply a piece of furniture. It's a system! Dice consists of two kinds of modules, a rectangle and a cube. They can be easily combined thanks to rubber connectors that let them stack like giant Lego bricks. The modules fall into place seamlessly while maintaining a 5 mm buffer between one another. Moreover, the rubber connectors help absorb pesky vibrations. Audiophiles rejoice.



It's no accident that these modules have an internal height of 32 cm (12"). We asked our designer to make something that would hold all the vinyl records we had lying around. The smaller module can hold around 100 LPs, and the larger one more than 200. NB: these work well for large-format books, too.

THE SYSTEM WITHIN THE SYSTEM

We took our modular storage system a step further and made it totally customizable. Thanks to a handy “half-connector,” the modules can be combined with shelving and other furnishings for a tailor-made storage system that’s both practical and pleasing to look at.



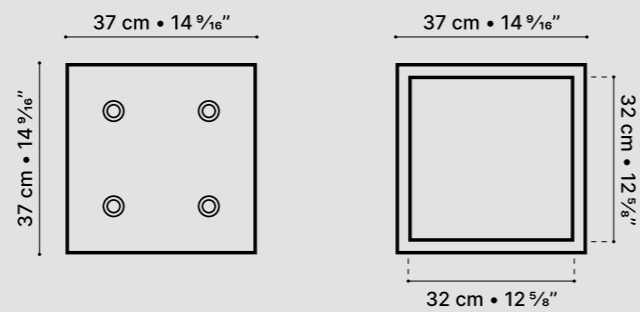
Try combining your Dice cubes with different kinds of planks (wood, marble, glass, metal, plexiglass ...). The possibilities are endless: makeshift desk, boutique shelves, bookcases, shelving for a bathroom or open kitchen ...



DICE M

SKU	D-09572				
dimensions	37 × 37 × 37 cm (14.57 × 14.57 × 14.57 in)				
net weight	17.5kg (39.68 lbs)				
materials, finish	<table border="1"> <tr> <td>cubicle</td> <td>concrete</td> </tr> <tr> <td>connectors</td> <td>rubber</td> </tr> </table>	cubicle	concrete	connectors	rubber
cubicle	concrete				
connectors	rubber				
use					
designer	Alexandre Dubreuil				


Concrete storage module that meets your storage needs (also makes a pretty great end table). Put several together to make ambitious custom home furnishings: shelves, coffee tables, counter spaces, room dividers.



DICE L

dimensions 37 × 37 × 74.5 cm (29.33 × 14.57 × 14.57 in)

net weight 25kg (55.12 lbs)

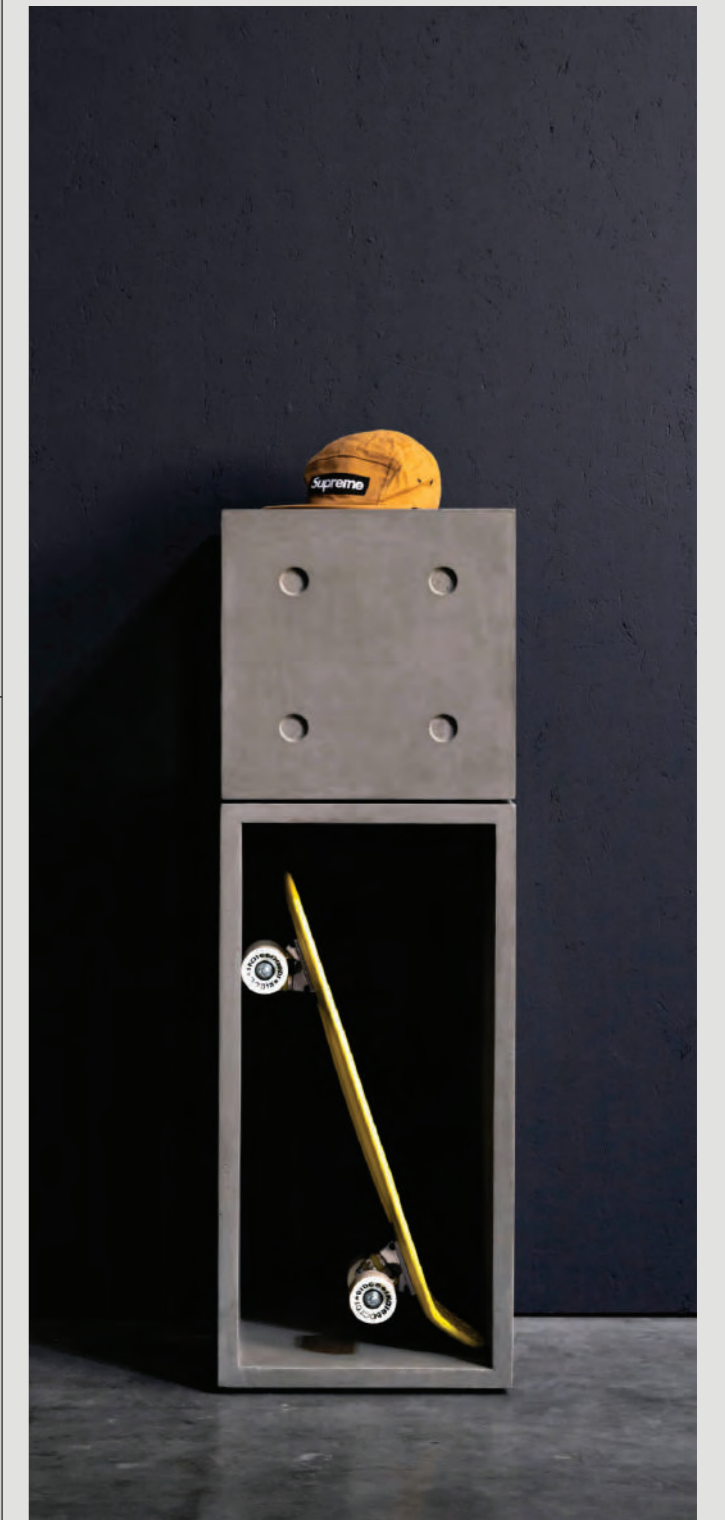
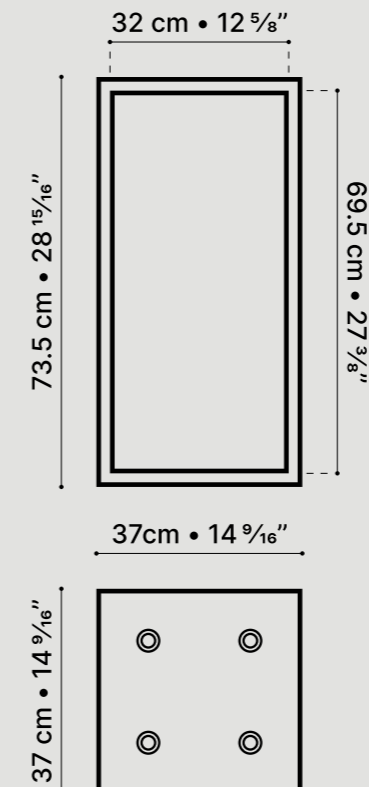
use 

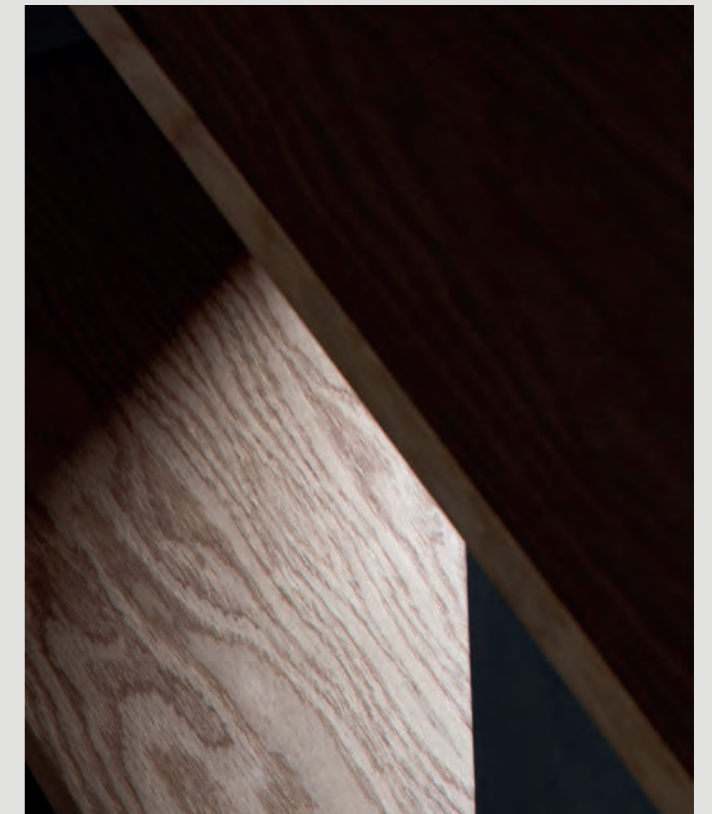
SKU D-09173

designer Alexandre Dubreuil

materials, finish	cubicle	concrete
	connectors	rubber

Concrete storage module that meets your storage needs (also makes a pretty great end table or coffee table). Thanks to our specially made rubber connectors, you can put several of these modules together to create ambitious custom furnishings: bookcases, sideboards, store shelving ... It's your turn to play.






Alexandre Dubreuil offers up his interpretation of Charlotte Perriand's iconic cabinetry.

The addition of a base ties the whole ensemble together. Rising up, the cubes become a centerpiece. Our designer came up with configurations that can serve as lowboards, TV stands, sideboards, shelving and bookcases. To transcend the "brutal" look and feel of the concrete, the shelves sport a natural oak veneer finish – the finishing touch in our homage to Charlotte Perriand.


EXTENSION

DICE 2295

<h1>DICE 2295 BOOKCASE</h1>	dimensions 229.5 × 42 × 138.8 cm	
	use 	
SKU DC-047	materials, finish	frame concrete
		boards particleboard with natural oak veneer
		connectors rubber
designer Alexandre Dubreuil		


Our DICE system, transformed here into a 2.3-meter-wide (7'6") bookcase, brings visual structure to any room. Place it against a wall like a classic bookshelf, or take advantage of its open design and use it as a modern room divider. The 42-cm-deep (16.5") shelves are ideal for displaying decorative items and large-format books. Music lovers can organize their LP collections and still have space left over to set up a top-notch amp and a pair of bookshelf speakers, such as the Baltics by Cabasse or the Planets by Elipson. The pairing of natural oak and concrete modules lends the whole ensemble a style reminiscent of Charlotte Perriand's iconic cabinetry. That's no accident.



<h1>DICE 2295 ASYMMETRICAL LOWBOARD</h1>	dimensions 229.5 × 42 × 57.6 cm	
	use 	
SKU DC-044	materials, finish	frame concrete
		boards particleboard with natural oak veneer
		connectors rubber
designer Alexandre Dubreuil		


This configuration plays with asymmetry to create different display levels. More possibilities for showcasing your decorative items and objets d'art. The pairing of concrete with natural oak lends this combination a wholly modern style. A true hybrid, this lowboard's lower end can hold an oversized vase or, with the help of a cushion, serve as a seat. Grab your headphones, and you've got a perfect listening station where you can enjoy your hi-fi sound system in peace.



<h1>DICE 2295 LOWBOARD</h1>	dimensions 229.5 × 42 × 57.6 cm	
	use 	
SKU DC-045	materials, finish	frame concrete
		boards particleboard with natural oak veneer
		connectors rubber
designer Alexandre Dubreuil		

A classic wide lowboard, as reimagined by our designer Alexandre Dubreuil, using his DICE modular storage system. Three architecture-inspired concrete modules paired with a base and a 2.3-meter-long (7'6") light oak veneer shelf, and this configuration becomes a true hybrid, ready to serve as everything from decorative bench to display shelf and hi-fi/TV stand.



<h1>DICE 2295 SIDEBOARD</h1>	dimensions 229.5 × 42 × 98.2 cm	
	use 	
SKU DC-046	materials, finish	frame concrete
		boards particleboard with natural oak veneer
		connectors rubber
designer Alexandre Dubreuil		

Designer Alexandre Dubreuil pushes the envelope with this extra-long sideboard. A magnificent solution for arranging your dishware, setting up your hi-fi or TV, or showing off your collection of objets d'art. Turn one or more of the concrete cubes to the side to create a cubby for unsightly electronic components. Moreover, when the sides of the cubes show, it brings extra "body" to the whole ensemble. The pairing of natural oak and concrete modules lends this configuration a timeless style inspired by Charlotte Perriand's iconic cabinetry. Use it as a buffet table, as a stand for a flat-screen TV, or even for your hi-fi sound system setup: stereo amp, bookcase speakers and turntable (with room for storing hundreds of LPs). Place it against a wall, behind a couch or in the middle of a room as a room divider. How will you help yours feel at home?




Modular system



1545

**EXTENSION
DICE**

DICE 1545 BOOKCASE

dimensions		154.5 × 42 × 138.8 cm	
use			
materials, finish	frame	concrete	
	boards	particleboard with natural oak veneer	
	connectors	rubber	


SKU **DC-043**

designer **Alexandre Dubreuil**

This shelf/bookcase is a new configuration of Alexandre Dubreuil's DICE concrete cubes, inspired by Charlotte Perriand's iconic cabinetry. The concrete modules, when combined with a natural oak veneer stand and assorted shelves, transform into a centerpiece. A warm, modern, yet understated bookcase. Perfect for displaying decorative items and, by turning one or more cubes to the side, stashing away unsightly ones.



DICE 1545 ASYMMETRICAL SIDEBOARD

dimensions		154.5 × 42 × 95.1 cm	
use			
materials, finish	frame	concrete	
	boards	particleboard with natural oak veneer	
	connectors	rubber	


SKU **DC-041**

designer **Alexandre Dubreuil**

This elegant asymmetrical sideboard leaves one of the modules exposed, creating extra space as well as more opportunities for visual and tactile encounters with our medium of choice: concrete. This is one of our favorite configurations. Use it as a credenza or as a stand for a hi-fi sound system (the perfect home for your stereo amplifier, turntable and LP collection).



DICE 1545 LOWBOARD

dimensions		154.5 × 42 × 57.6 cm	
use			
materials, finish	frame	concrete	
	boards	particleboard with natural oak veneer	
	connectors	rubber	


SKU **DC-040**

designer **Alexandre Dubreuil**

This elegant lowboard is perfect as a display shelf beneath a window or as a small stand for a hi-fi sound system. It features room for a stereo amplifier and turntable and storage space in the concrete modules for 300 vinyl records. Or put it to use as a TV stand (up to 65"). Turn one of the cubes to the side, and keep all the unsightly TV components pleasantly stashed away.



DICE 1545 SIDEBOARD

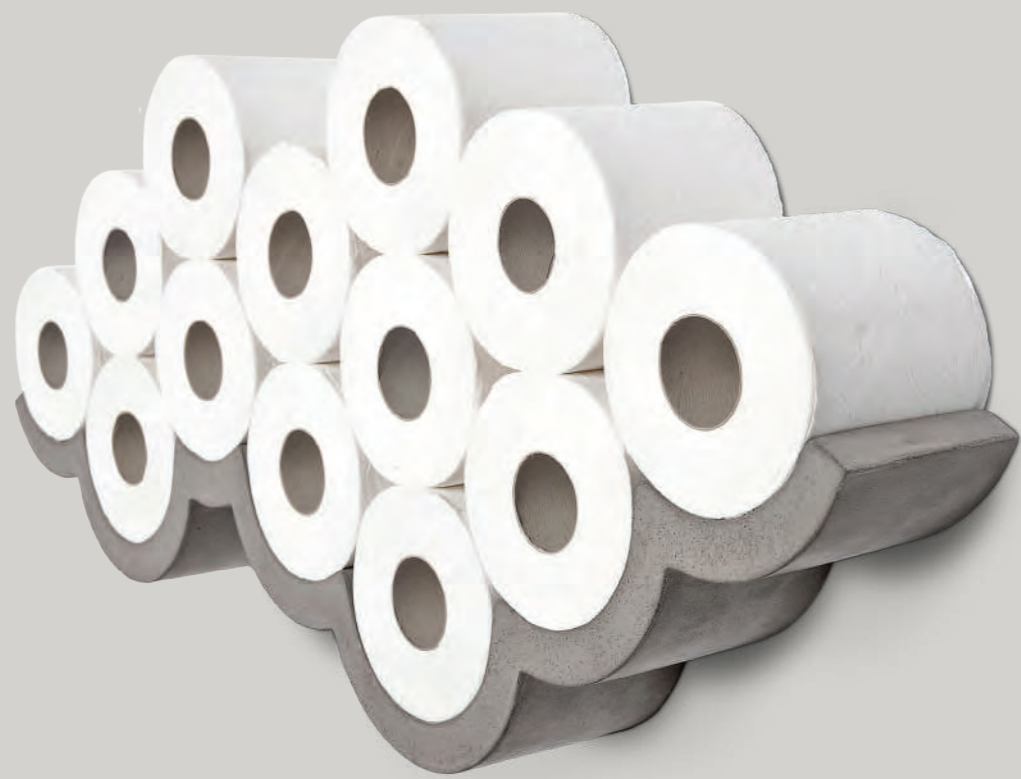
dimensions		154.5 × 42 × 98.2 cm	
use			
materials, finish	frame	concrete	
	boards	particleboard with natural oak veneer	
	connectors	rubber	

SKU **DC-042**

designer **Alexandre Dubreuil**

Alexandre Dubreuil's modular DICE storage system, shown here serving as a small sideboard. The pairing of concrete modules with natural oak veneer, inspired by Charlotte Perriand's iconic cabinetry, is a sure bet for an understated but warm effect. China cabinet, hi-fi stand, decorative credenza? The choice is yours.





02
SHELVES

CLOUD 745

SKU

DB-09104

designer

Bertrand Jayr

dimensions 74 × 10 × 17 cm (29.13 × 3.94 × 6.69 in)

use

materials,
finish

shelf

concrete

mounting system

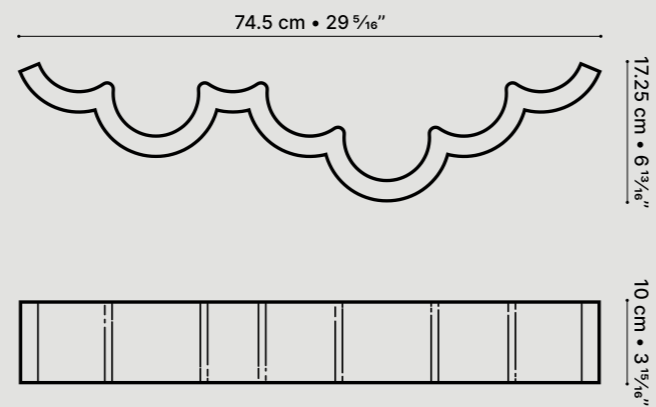
steel, epoxy finish

net weight

4kg (8.82 lbs)

Created by French artist and designer Bertrand Jayr, our CLOUD toilet paper shelf brings a little levity to the spaces that need it the most.

Don't hide your toilet paper, turn it into a work of art!



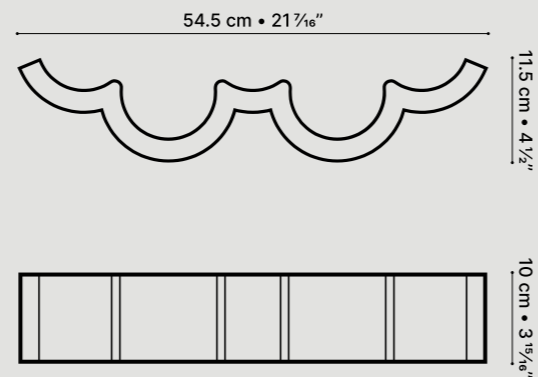
CLOUD 545

SKU DB-09120



dimensions	55 × 10 × 12 cm (21.65 × 3.94 × 4.72 in)	
net weight	3kg (4.53 lbs)	
use		
materials, finish	shelf	concrete
	mounting system	steel, epoxy finish
designer	Bertrand Jayr	

Small spaces deserve a little levity, too. Bertrand Jayr has designed a more compact version of his beloved toilet paper shelf, specially adapted to narrower washrooms. Don't hide your toilet paper, turn it into a work of art!



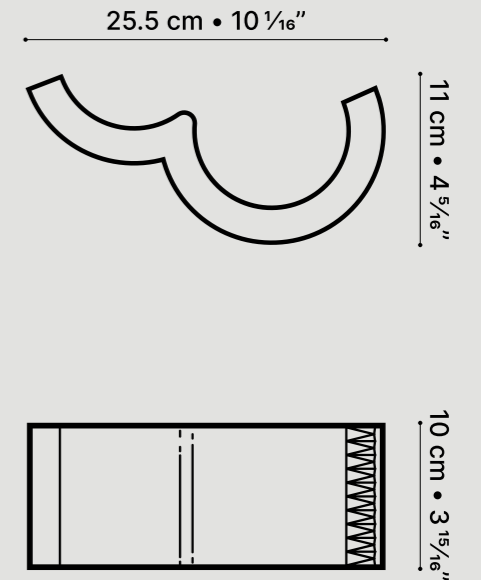
CLOUD DISPENSER

SKU DB-09170

materials, finish	dispenser	concrete
	mounting system	steel, epoxy finish

This toilet paper dispenser is the perfect companion to our beloved, cloud-shaped toilet paper shelves. With extra room for a spare roll.

dimensions	25.5 × 10 × 11 cm (10.04 × 3.94 × 4.33 in)	
net weight	1.4kg (3.09 lbs)	
use		
designer	Bertrand Jayr	




SLICED 300

SKU

D-09133

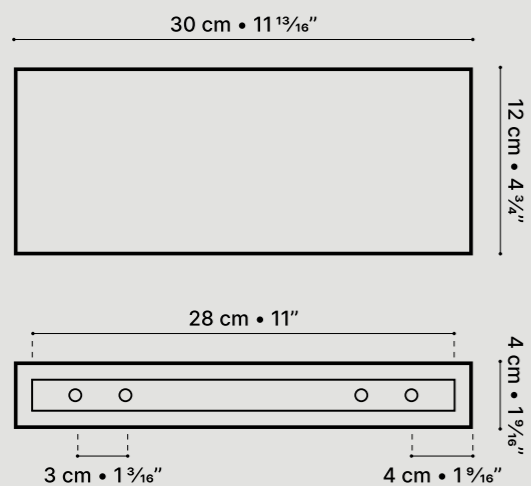
dimensions 30 × 12 × 4 cm (11.81 × 4.72 × 1.57 in)

net weight 2.5kg (5.51 lbs)

use 

materials, finish	shelf	concrete
	mounting system	steel, epoxy finish

With clean lines and the bold look of raw concrete, this little concrete shelf lets you show off your plants, artwork or whatever else you put on it. Can even serve as a nightstand or bookshelf.




SLICED 600

SKU

D-09153

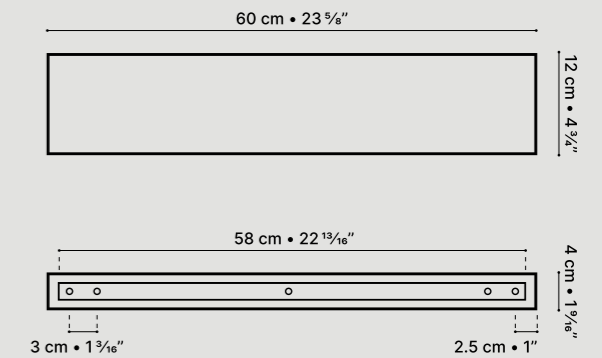
dimensions 60 × 12 × 4 cm (23.62 × 4.72 × 1.57 in)

use 

materials, finish	shelf	concrete
	mounting system	steel, epoxy finish

net weight 5kg (10.89 lbs)

Clean lines and the bold look of raw concrete. This concrete shelf is perfect for showcasing what inspires you. Can also be used in your kitchen as a spice rack or shelf for your olive oil collection.



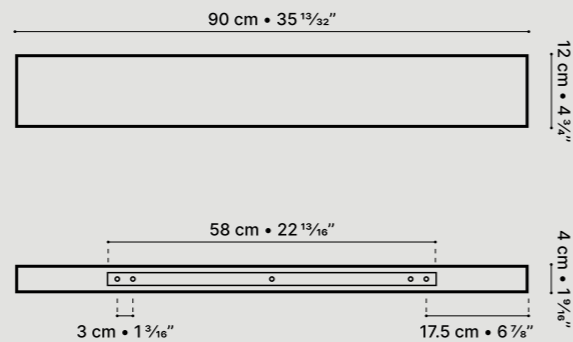
SLICED 900

dimensions	90 × 12 × 4 cm (35.43 × 4.72 × 1.57 in)
net weight	7.4kg (16.31 lbs)
use	

SKU	D-09154	
materials, finish	shelf	concrete
	mounting system	steel, epoxy finish



A simple block of raw concrete that mounts on your wall. This large concrete shelf is perfect for showing off what inspires you: prints, photographs, plants, vases, decorations ... Can also be used as a display shelf in a home furnishings store or fashion boutique.

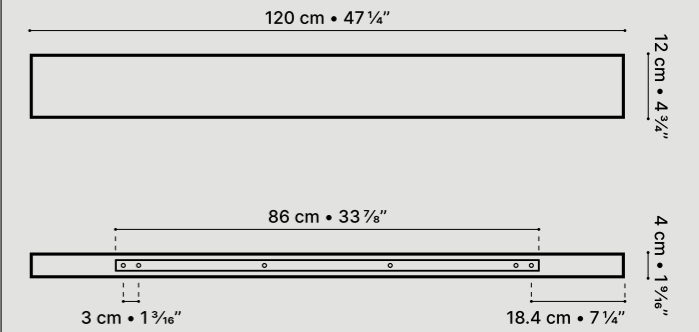


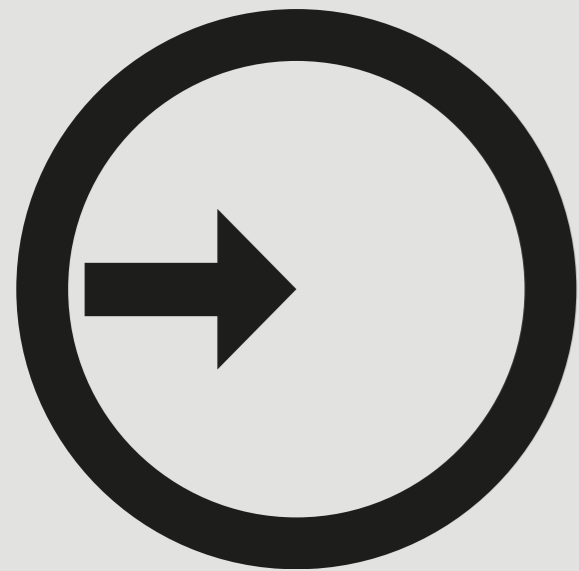
SLICED 1200

dimensions	120 × 12 × 4 cm (47.24 × 4.72 × 1.57 in)	
use		
materials, finish	shelf	concrete
	mounting system	steel, epoxy finish

SKU	D-09134	
net weight	11kg (24.25 lbs)	

Great for your collection of 100-year-old bonsais or rare cacti. Combine these concrete shelves to bring added visual rhythm to your wall decorations. Don't be shy.





ACCESSORIE ● noun.

Decorative element that helps your home stand out. When it's thoughtfully chosen, of course.

ACCESSORIES

- MAGAZINE RACKS ● P110
- CLOCKS ● P113
- BOOKENDS ● P114
- VASES ● P116
- PLANTERS ● P118
- DESK ORGANIZERS ● P122
- LAMPS ● P124
- DECORATION ● P126
- SINKS ● P129

04


DOC

SKU

DB-09107S

dimensions 35 × 20 × 29.5 cm (13.78 × 7.87 × 11.61 in)

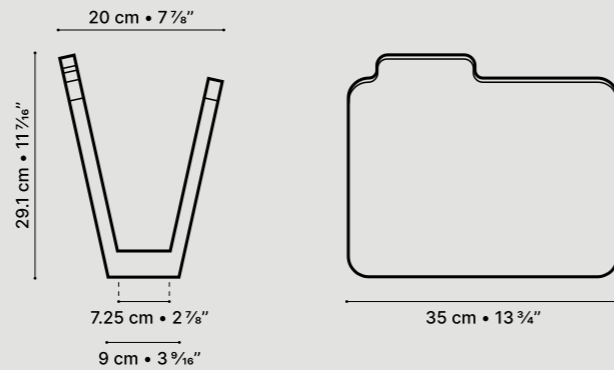
net weight 7kg (15.43 lbs)

use 

materials rack concrete

designer Bertrand Jayr

Reminiscent of a digital folder icon, the Doc concrete magazine rack, created by French artist and designer Bertrand Jayr, heralds the return of old media to our digital day-to-day. A contemporary-looking concept that will help you organize, sort and stock your magazines and other periodicals.




LIFE IN PROGRESS

SKU DB-09200

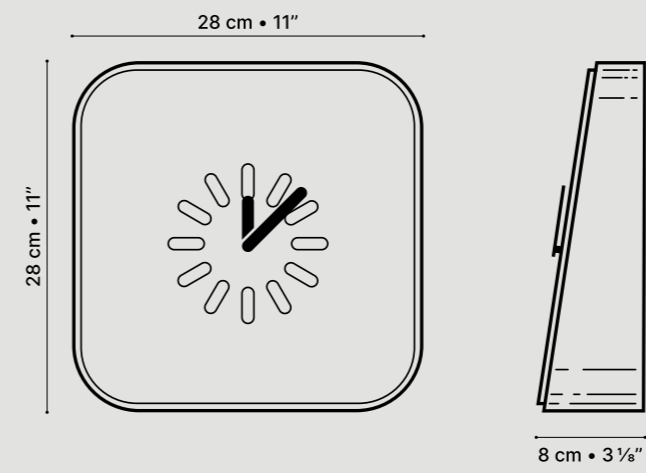
dimensions 28 × 28 × 8 cm (11.02 × 11.02 × 3.15 in)

net weight 3.3kg (7.28 lbs)

designer Bertrand Jayr

use 

materials, finish	casing	concrete
	caliber	seiko




Concrete clock for a wall or table.
 Our Life in Progress concrete clock, from designer Bertrand Jayr, can be hung from a wall or set on a surface, depending on your preference.
 The built-in mounting system allows for easy, invisible and seamless mounting.



GRAY MATTERS

dimensions 16 × 13.5 × 11 cm (6.3 × 5.31 × 4.33 in)

use 

materials bookends concrete

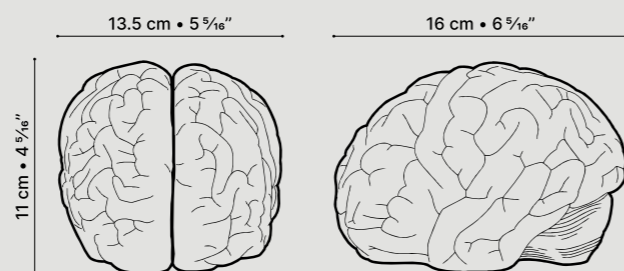
SKU DB-09108

net weight 2.2kg (4.85 lbs)

designer Bertrand Jayr



These concrete bookends boast a look and feel that's original, modern — and, well, smart.




One day, inspiration struck French artist and designer Bertrand Jayr. He realized that concrete is, by definition, “gray matter.” Thus, our Gray Matters bookends were born. Consisting of the two hemispheres of the human brain, these bookends represent the breadth of knowledge that our minds, and bookshelves, contain.

PIPELINE 425

SKU DB-09105S

dimensions 11 × 15.5 × 42 cm (6.1 × 4.33 × 16.73 in)

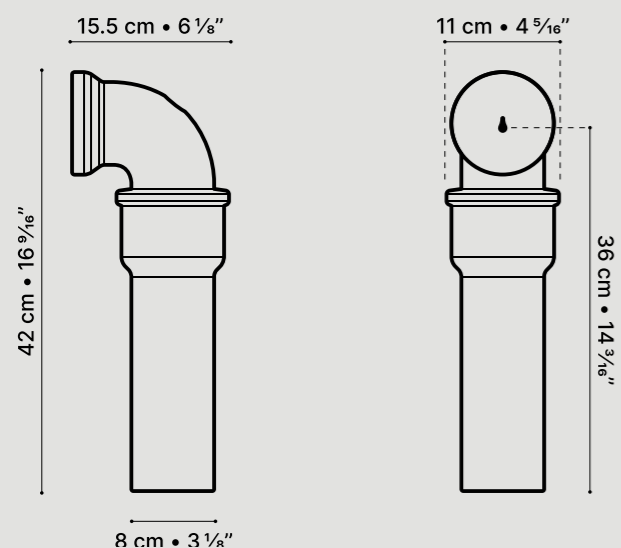
net weight 4.2kg (9.26 lbs)

use 

materials, finish	exterior	concrete
	reservoir	glass

designer Bertrand Jayr

Inspired by modern cityscapes, our Pipeline concrete vase, created by French artist and designer Bertrand Jayr, upends our notions about outdoor plumbing, fostering a dialogue between exterior and interior spaces.




PIPELINE 645

SKU DB-09105M

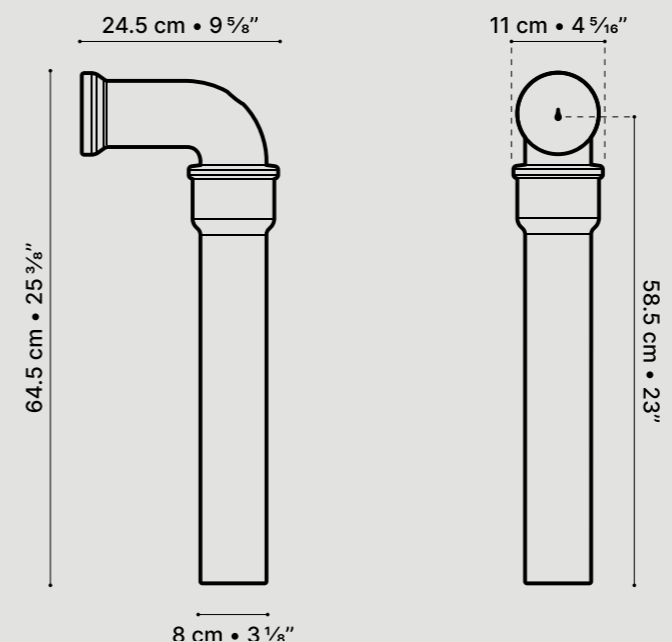
designer Bertrand Jayr

dimensions 11 × 24.5 × 64.5 cm (9.65 × 4.33 × 25.39 in)

net weight 7.2kg (15.87 lbs)


use 

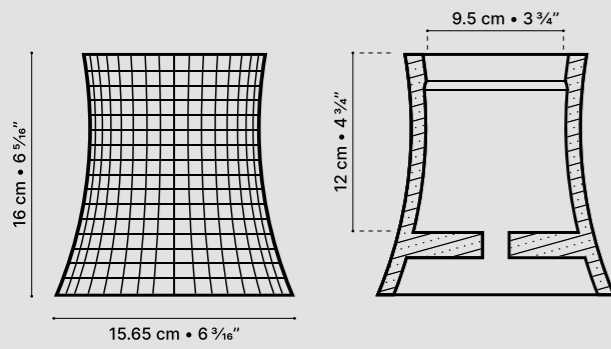
materials, finish	exterior	concrete
	reservoir	glass



A simple length of pipe, whimsically out of place. Stick a dried flower inside and the effect is almost poetic. If you prefer fresh flowers, you can keep them in water using the included test tube reservoir.

NUCLEAR PLANT 160

SKU	DB-09106.1
dimensions	15.6 × 15.6 × 16 cm (6.5 × 6.3 × 6.3 in)
net weight	1.3kg (2.87 lbs)
materials, finish	planter: concrete stopper: rubber
use	
designer	Bertrand Jayr




Directly inspired by nuclear powerplant cooling towers, the Nuclear Plant planter, created by French artist and designer Bertrand Jayr, is a masterstroke of artistic appropriation.

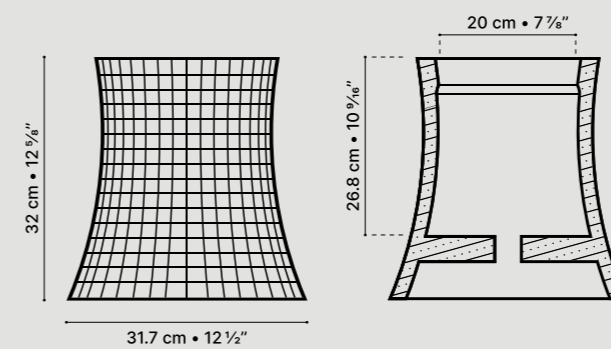


NUCLEAR PLANT 320

SKU	DB-09106.2
designer	Bertrand Jayr

dimensions	31.7 × 31.7 × 32 cm (12.48 × 12.6 × 12.6 in)	
net weight	5.2kg (11.46 lbs)	
use		
materials, finish	planter	concrete
	stopper	rubber

With this collection, Bertrand Jayr brings a whole new meaning to green energy transition. Mother nature reclaims what is hers.



NUCLEAR PLANT 460

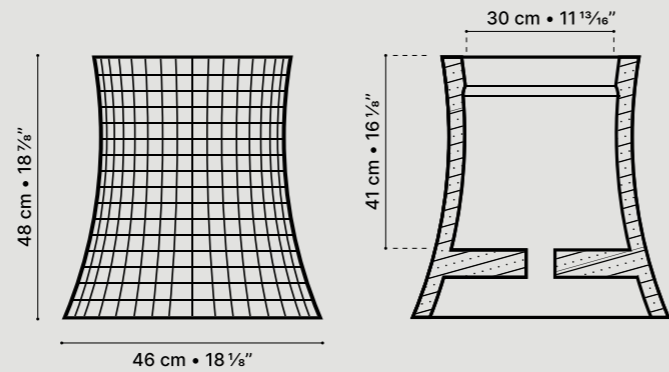
dimensions	46 × 46 × 48 cm (18.11 × 18.9 × 18.9 in)	
net weight	11kg (24.25 lbs)	
use	☀	
materials, finish	planter	concrete
	stopper	rubber

SKU DB-09106.3


designer Bertrand Jayr

Reappropriation is the name of the game. Don't need a new planter? Put this model in your entryway and voila, you've got an umbrella stand.

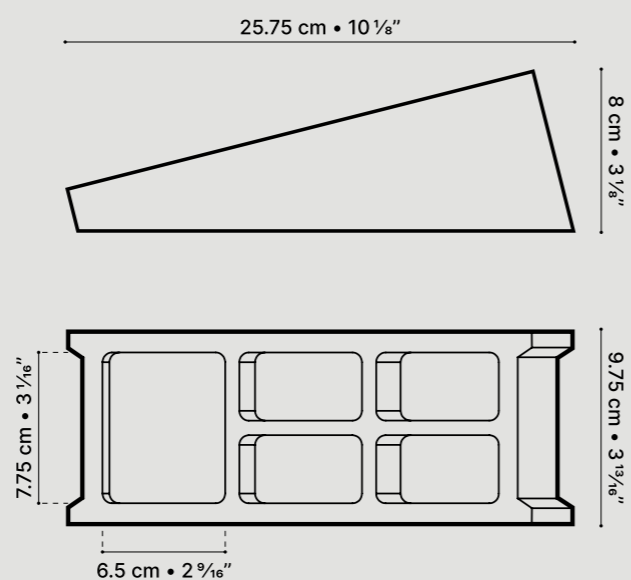
Meanwhile, the S version makes a great pen and pencil holder, and the M version can be put to use as an office wastebasket.



BLOCKWORK

SKU	D-09112
dimensions	25 × 10 × 8 cm (10.04 × 3.82 × 3.15 in)
net weight	1.2kg (2.65 lbs)
designer	Bertrand Jayr
use	
materials	body: concrete

Directly inspired by the everyday cinder block, this desk organizer features 5 multipurpose compartments that can be filled up however you like. Now get to work!



FLOOR LAMP

SKU

PLW-LT-001

dimensions 30 × 25 × 43 cm (15.16 × 10.63 × 17.72 in)

net weight 6.25kg (13.78 lbs)

use



materials, finish

fixture

concrete

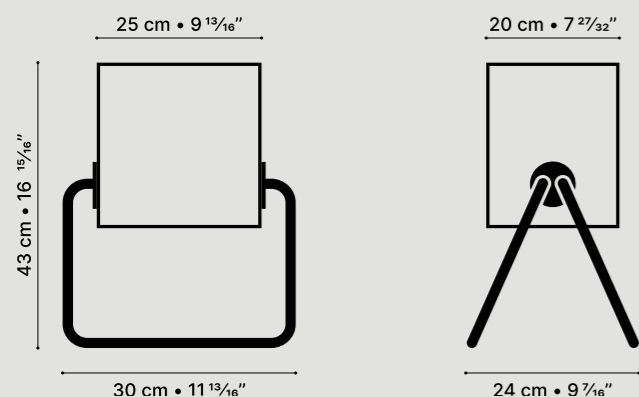
stand

steel, clear finish

An accent lamp inspired by an outdoor floodlight, for a look that's both industrial and elegant.

Two wing nuts inside the concrete fixture allow for easy adjustment of the stand.

This lamp comes with a power cable with a European Type C plug and is compatible with E27-230V light bulbs up to 100w. Light bulb not included.



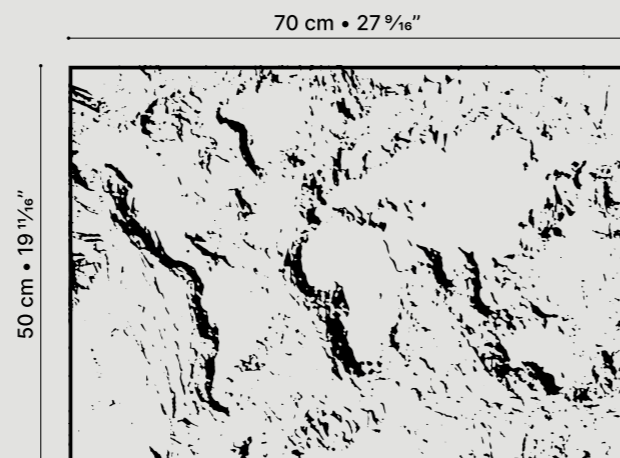
GRAY PLANET

dimensions	70 × 50 × 4 cm (27.56 × 19.69 × 1.57 in)		
net weight	10kg (22.05 lbs)		
use	☀		
materials	slab	concrete	

SKU	D-09950
-----	---------

designer	Bertrand Jayr
----------	---------------

Gray Planet is a work of art by artist and designer Bertrand Jayr. For this piece, Jayr broke out his sculpting tools and went to work with extraordinary precision. The result is a study in the boundaries between land and water, a record of the globe's coastlines before they change forever.



BAK

SKU

D-09900

dimensions 38 × 38 × 10 cm (14.96 × 3.94 × 3.94 in)

net weight 6kg (13.45 lbs)

materials,
finish

basin

concrete

stopper, adapter

chrome-plated steel

use



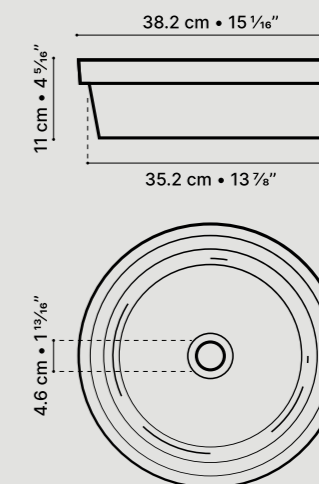
designer

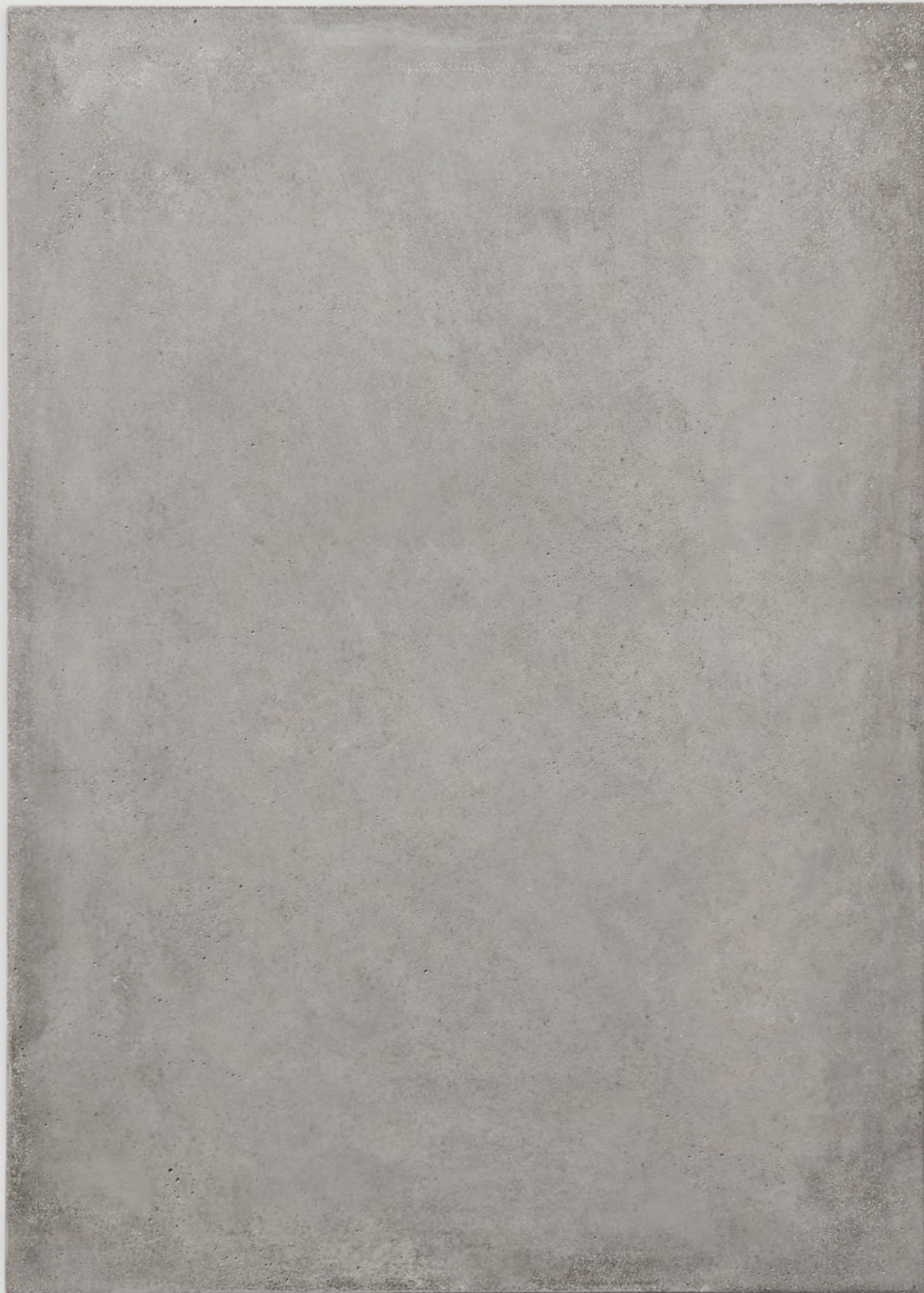
Martin Cuel

For this concrete sink, Martin Cuel came up with a simple design that pays homage to the humble flowerpot. Daily watering guaranteed!

More than a visual pun, this functional design makes our Bak sink unique: it's the first sink on the market that can be installed either as a drop-in or as a vessel!

Includes stopper and universal fitting.





FRAG

Watercolors go on paper.
Oils go on canvas.
Spray paint goes on FRAG.

Since its emergence in the early 1960s, urban art has been one of the most dynamic and beloved forms of popular art.

Sixty years later, Lyon Béton has set out to bring urban art from the street into the home. We created FRAG to give graffiti artists and street artists a whole new platform for their work.

JR ● JR-PARIS-2



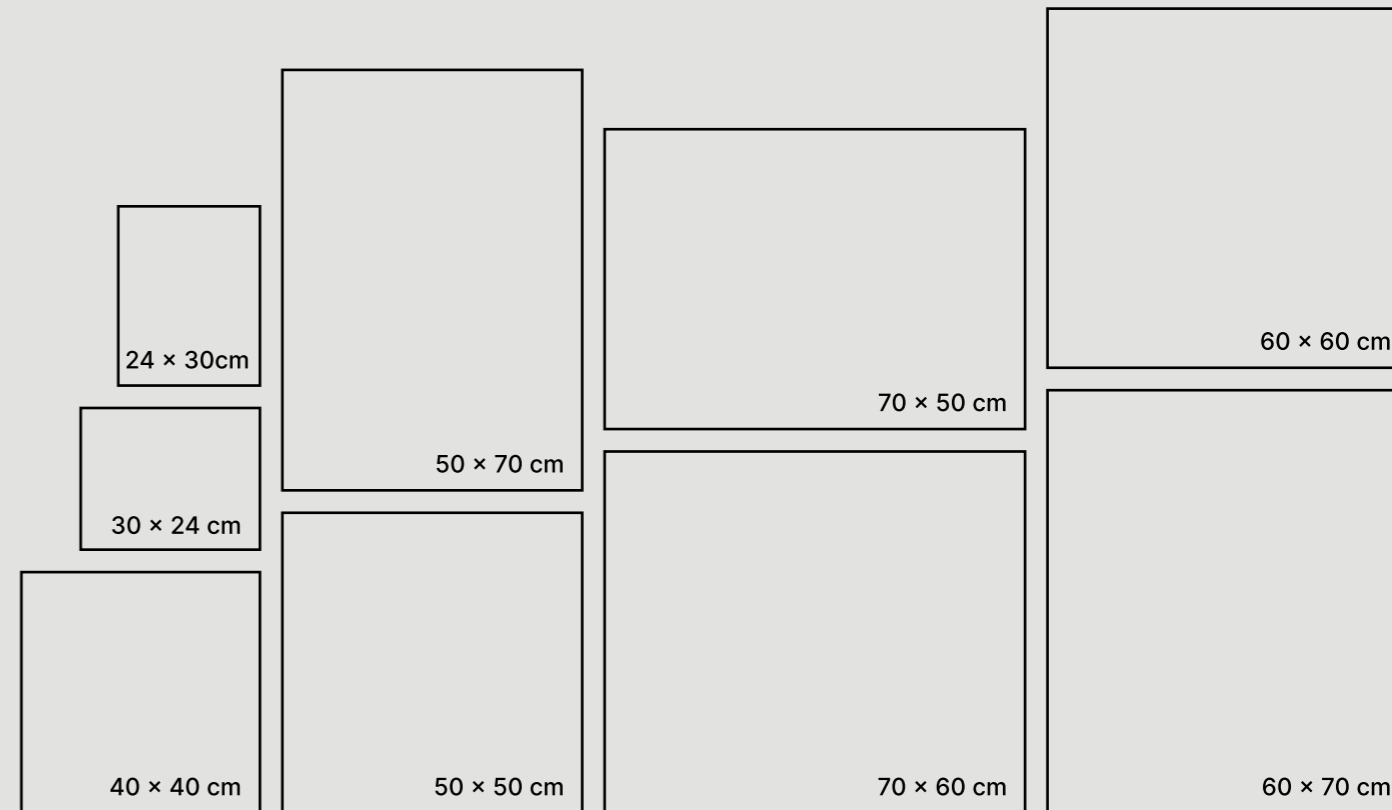


4 cm of raw concrete

FRAG is a 4-cm-thick slab of raw concrete, fiber-reinforced for lightness and durability. Each FRAG features a level surface that is gentle to the touch, while retaining all of the qualities that make raw concrete so unique — tiny bubbles, light cracks and that characteristic roughness.

A simple, invisible mounting system.

Each FRAG slab has a hollow back, just like a piece of stretched canvas. There, you'll find a clever mounting system that lets you easily hang your FRAG flush to the wall.



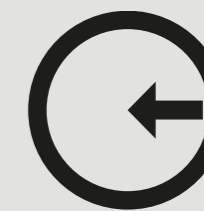
Dimensions inspired by the art world

FRAG comes in six sizes, from a small 24x30 cm format that can be set on a surface to a large 70x60 cm rectangle. All FRAGs can be mounted on the wall. Hang a few together to create a mural fresco.



LUCIE ALBON

The soft and poetic universe of this illustrator from Lyon was first revealed in her books and comics. But her characters quickly escaped in giant frescoes that embellish our cities. We managed to capture some of them on FRAG a few years ago. Lucie Albon is pleased to present us with a new collaboration on this concrete support that she loves with a series of 4 portraits of women.



ARTISTS WHO LIKE AND USE FRAG



GREGOS

@gregosart

Gregory Bouctot-Charneau, aka "Gregos," was born in Paris in 1972 and raised in the northern Parisian suburbs (Gonesse, Villiers le Bel).

He cut his teeth in the tagging and graffiti scenes of the late '80s, early '90s. After two years spent living in Athens, Greece, from 1995–1997, he expanded into sculpture and molding.



MISS TIC

@missticofficiel

A poet, visual artist and major figure in the world of street art, Miss.Tic has been stenciling her poetic pictorial universe on the walls of Paris since 1985. With its trademark images of women and incisive slogans, Miss.Tic's work speaks to issues of independence and freedom. Her unique aesthetic rests on a subtle mix of frivolity and gravitas, playfulness and provocation.



NASTY

@the_art_of_nasty

Originally from Paris, he started graffiti in 1988 at the age of 13. He joined the collective Artiste en Cavale in 1990. Nasty has an artistic career since his first exhibition at Magda Danisz in 1992 alongside JonOne and PSYCKOZE.



RNST

@rnst_art

RNST wages a war in portraits, which he creates using every and any kind of surface, both in the street and in the studio. To make his stencils, he uses not only salvaged objects but also leftover paper from his prints, collages and broadsides. In his relentless pursuit of society's pressure points, he dwells in a constant game of action/reaction.

A black and white photograph showing a close-up of a concrete surface. In the upper left, there is a dark, circular hole. Below it, the words "lyon beton" are stamped in a bold, sans-serif font. The concrete has a rough, textured appearance with some visible grain and minor imperfections. The lighting creates strong shadows, particularly under the letters of the stamp, emphasizing their three-dimensional quality. The background is dark and out of focus.

lyon beton

DINING TABLES

COFFEE TABLES

TV STANDS

P022	P024	P025	P028
SHARP OBLONG	SHARP SQUARE	SHARP ROUND	STRUT THE PILL
sku SHRP-001	sku SHRP-002	sku SHRP-003	sku 10133
barrel steel, black epoxy finish	barrel steel, black epoxy finish	barrel steel, black epoxy finish	top concrete
top particle board with oak veneer	top particle board with oak veneer	top particle board with oak veneer	top dark gray tempered glass
body concrete	body concrete	body concrete	
180 × 120 × 75.6 cm 70.87 × 47.24 × 29.76 in	140 × 140 × 75.6 cm 55.12 × 55.12 × 29.76 in	140 × 140 × 75.6 cm 55.12 × 55.12 × 29.76 in	120 × 60 × 45 cm 47.24 × 23.62 × 17.72 in
118kg 260.15 lbs	118kg 260.15 lbs	108kg 239.20 lbs	54kg 119.05 lbs

P036	P037	P038	P040
PERSPECTIVE 1300x700	PERSPECTIVE 750x750	MONOBLOC RECTANGULAR	MONOBLOC
sku 10125	sku 10123	sku D-09545	sku D-09546
top concrete	top concrete	top concrete	top concrete
frame steel, black matte finish	frame steel, black matte finish	feet steel, epoxy finish	feet steel, epoxy finish
130 × 70 × 30 cm 51.18 × 27.56 × 11.81 in	75 × 75 × 30 cm 29.53 × 29.53 × 11.81 in	130 × 70 × 25 cm 51.18 × 27.56 × 9.84 in	150 × 45 × 31 cm 59.06 × 17.72 × 12.2 in
48kg 105.82 lbs	31kg 68.56 lbs	64kg 141.10 lbs	64kg 110.23 lbs

END TABLES

P029	P030	P033	P035
STRUT THE SQUARE	CURB	TWIST	PERSPECTIVE 1000x1000
sku 10135	sku 10103	sku S-09260-PE-011	sku 10124
top concrete	top concrete	top concrete	top concrete
top dark gray tempered glass	frame steel, black epoxy finish	frame steel, black epoxy finish	frame steel, black matte finish
	glass top dark gray tempered glass		
85 × 80 × 45 cm 33.46 × 31.5 × 17.72 in	125 × 56.25 × 37.5 cm 49.21 × 22.15 × 14.76 in	136 × 80 × 44 cm 53.54 × 31.5 × 17.32 in	100 × 100 × 30 cm 39.37 × 39.37 × 11.81 in
58kg 127.87 lbs	38kg 110.89 lbs	48kg 106.40 lbs	47kg 104.06 lbs

P041	P044	P046	P047
MONOBLOC ON WHEELS	CURB	TWIST	PERSPECTIVE
sku D-09543	sku 10129	sku D-09400-PE-014	sku 10122
top concrete	base concrete	base concrete	top concrete
wheels polyurethane	globe hand-blown glass	top steel, black epoxy finish	frame steel, black matte finish
150 × 45 × 31 cm 59.06 × 17.72 × 12.2 in	30 × 30.9 × 47.7 cm 11.81 × 14.13 × 18.8 in	45 × 45 × 61 cm 17.72 × 24.02 × 24.02 in	35 × 35 × 40 cm 13.78 × 13.78 × 15.75 in
64kg 110.23 lbs	15kg 32.19 lbs	16kg 35.27 lbs	10kg 21.27 lbs




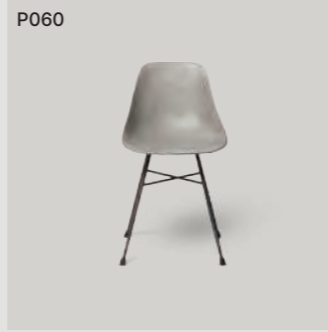




BISTRO TABLES







CHAIRS

ROCKING CHAIR

ARMCHAIRS



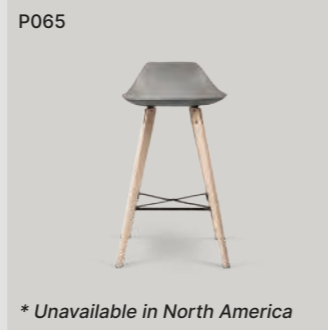
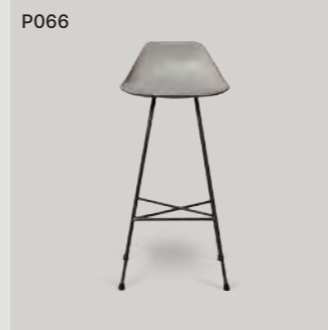



OTHER STOOLS

			
P050	P052	P054	P060
DONUT ROUND	DONUT CUTAWAY	DONUT RECTANGLE	HAUTEVILLE
sku 10100	sku 10102	sku 10101	sku DL-09229
base concrete	base concrete	base concrete	seat concrete
pedestal aluminum, black epoxy finish	pedestal aluminum, black epoxy finish	pedestal aluminum, black epoxy finish	legs rebar
			
61.8 × 61.8 × 74.5 cm 24.33 × 29.33 × 29.33 in	19kg 42.00 lbs	65 × 58.5 × 74.5 cm 25.59 × 23.03 × 29.33 in	19kg 41.78 lbs
70 × 59 × 74.5 cm 27.56 × 23.23 × 29.33 in	20kg 44.42 lbs	46 × 45.5 × 77.5 cm 18.11 × 17.91 × 30.51 in	11kg 22.05 lbs

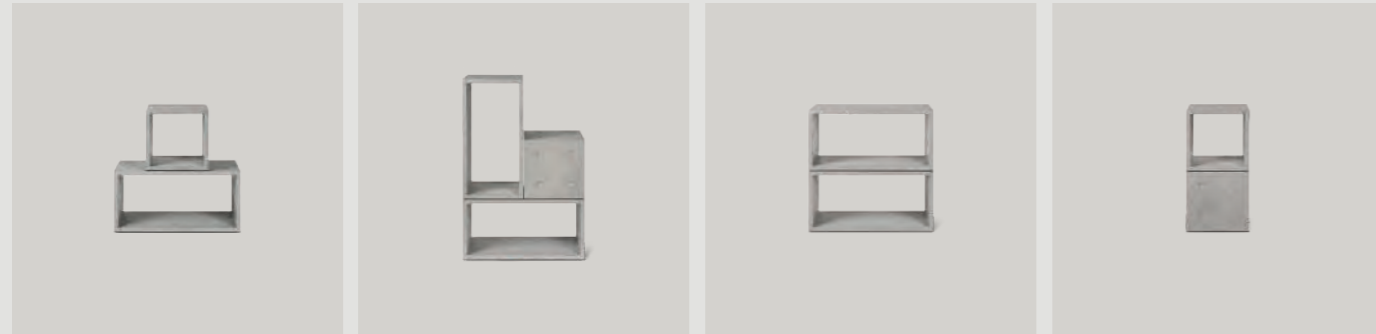
			
P070	P072	P073	P076
HAUTEVILLE	HAUTEVILLE LOW	HAUTEVILLE HIGHT	BRIDGE
sku DL-09190-PL-001	sku DL-09194	sku DL-09195	sku DL-09513
seat concrete	seat concrete	seat concrete	seat concrete
base rebar, birch plywood	feet rebar	feet rebar	rebar
			
64 × 71 × 72 cm 25.2 × 27.95 × 28.35 in	20kg 44.09 lbs	64 × 59 × 65 cm 25.2 × 23.23 × 25.59 in	19kg 41.89 lbs
64 × 57 × 85 cm 25.2 × 22.44 × 33.46 in	20kg 44.09 lbs	35 × 35 × 45 cm 13.78 × 13.78 × 17.72 in	13kg 28.66 lbs

COUNTER STOOLS & BARSTOOLS

MODULAR STORAGE SYSTEMS

			
P061	P064	P065	P066
HAUTEVILLE PLYWOOD	HAUTEVILLE	HAUTEVILLE 670 PLYWOOD	HAUTEVILLE 770
sku DL-09181-PL-004	sku DL-09227	sku DL-09187-PL-007	sku DL-09226
seat concrete	seat concrete	seat concrete	seat concrete
legs birch plywood	legs rebar	legs birch plywood	legs rebar
			
46 × 45.5 × 78.5 cm 17.91 × 18.11 × 30.91 in	11kg 24.25 lbs	45 × 45.5 × 82 cm 17.72 × 17.91 × 32.28 in	11kg 24.25 lbs
45 × 45.5 × 77.5 cm 17.72 × 17.91 × 32.28 in	8.5kg 18.74 lbs	44 × 43 × 93.5 cm 17.32 × 16.93 × 36.81 in	12kg 26.46 lbs





			
P077	P086	P089	
EDGE	DICE MEDIUM	DICE LARGE	
sku DL-09535WR	sku D-09572	sku D-09173	
seat concrete	cubicle concrete	cubicle concrete	
cord jute	connectors recycled rubber	connectors recycled rubber	
			
40 × 40 × 45 cm 15.75 × 15.75 × 17.72 in	22kg 48.50 lbs	37 × 37 × 37 cm 14.57 × 14.57 × 14.57 in	17.5kg 39.68 lbs
74.5 × 37 × 74.5 cm 29.33 × 14.57 × 14.57 in	25kg 55.12 lbs		



DICE COMBO 1M +1L		DICE COMBO 1M +2L		DICE COMBO 2L		DICE COMBO 2M	
sku	D-09202	sku	D-09203	sku	D-09204	sku	D-09205
cubicle	concrete	cubicle	béton	cubicle	concrete	cubicle	concrete
connectors	rubber	connectors	rubber	connectors	rubber	connectors	rubber
							
	42.5kg 93.70 lbs		67.5kg 148.81 lbs		50kg 110.23 lbs		35kg 77.16 lbs

DICE 2295 * Unavailable in North America



DICE 2295 BOOKCASE		DICE 2295 LOWBOARD		DICE 2295 ASYMMETRICAL LOWBOARD		DICE 2295 SIDEBOARD	
sku	DC-047	sku	DC-045	sku	DC-044	sku	DC-046
structure	béton	structure	béton	structure	béton	structure	béton
planches	panneau de particules avec placage chêne naturel	planches	panneau de particules avec placage chêne naturel	planches	panneau de particules avec placage chêne naturel	planches	panneau de particules avec placage chêne naturel
connecteurs	caoutchouc	connecteurs	caoutchouc	connecteurs	caoutchouc	connecteurs	caoutchouc
							
	229.5 × 42 × 138.8 cm		229.5 × 42 × 57.6 cm		229.5 × 42 × 57.6 cm		229.5 × 42 × 98.2 cm

DICE 1545 * Unavailable in North America









DICE COMBO 2M + 1L		DICE COMBO 2M + 2L		DICE COMBO 2M + 3L		DICE COMBO 3M + 3L	
sku	D-09206	sku	D-09207	sku	D-09208	sku	D-09209
cubicle	concrete	cubicle	concrete	cubicle	concrete	cubicle	concrete
connectors	rubber	connectors	rubber	connectors	rubber	connectors	rubber
							
	60kg 132.28 lbs		85kg 187.39 lbs		110kg 242.51 lbs		127.5kg 281.09 lbs




DICE 1545 BOOKCASE		DICE 1545 LOWBOARD		DICE 1545 ASYMMETRICAL SIDEBOARD		DICE 1545 SIDEBOARD	
sku	DC-043	sku	DC-040	sku	DC-041	sku	DC-042
structure	béton	structure	béton	structure	béton	structure	béton
planches	panneau de particules avec placage chêne naturel	planches	panneau de particules avec placage chêne naturel	planches	panneau de particules avec placage chêne naturel	planches	panneau de particules avec placage chêne naturel
connecteurs	caoutchouc	connecteurs	caoutchouc	connecteurs	caoutchouc	connecteurs	caoutchouc
							
	154.5 × 42 × 138.8 cm		154.5 × 42 × 57.6 cm		154.5 × 42 × 95.1 cm		154.5 × 42 × 98.2 cm

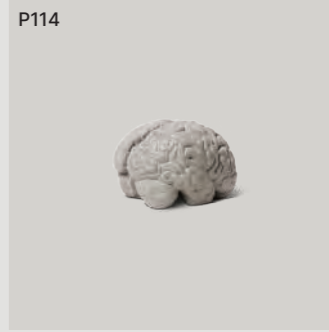

TOILET PAPER SHELVES

P0100	P102	P103
		
CLOUD 745	CLOUD 545	CLOUD DISPENSER
sku DB-09104	sku DB-09120	sku DB-09170
shelf concrete	shelf concrete	dispenser concrete
		
74 × 10 × 17 cm 29.13 × 3.94 × 6.69 in	4kg 8.82 lbs	55 × 10 × 12 cm 21.65 × 3.94 × 4.72 in
		3kg 4.53 lbs
		25 × 10 × 11 cm 10.04 × 3.94 × 4.33 in
		1.4kg 3.09 lbs




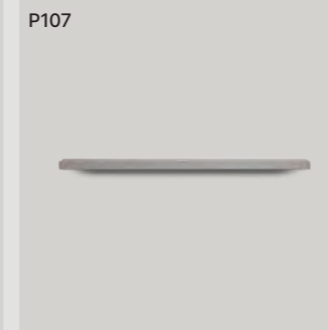




MAGAZINE RACKS

P110	P113
	
DOC	LIFE IN PROGRESS
sku DB-09107S	sku DB-09200
material concrete	casing concrete
	caliber seiko
	
35 × 20 × 29.5 cm 13.78 × 7.87 × 11.61 in	7kg 15.43 lbs
	28 × 28 × 8 cm 11.02 × 11.02 × 3.15 in
	3.3kg 7.28 lbs

BOOKENDS

P114

GRAY MATTER
sku DB-09108
material concrete

16 × 13.5 × 11 cm 6.3 × 5.31 × 4.33 in
2.2kg 4.85 lbs

SHELVES

P104	P105	P106	P107
			
SLICED 300	SLICED 600	SLICED 900	SLICED 1200
sku D-09133	sku D-09153	sku D-09154	sku D-09134
material concrete	material concrete	material concrete	material concrete
mounting system steel, epoxy finish	mounting system steel, epoxy finish	mounting system steel, epoxy finish	mounting system steel, epoxy finish
			
30 × 12 × 4 cm 11.81 × 4.72 × 1.57 in	2.5kg 5.51 lbs	60 × 12 × 4 cm 23.62 × 4.72 × 1.57 in	5kg 10.89 lbs
		90 × 12 × 4 cm 35.43 × 4.72 × 1.57 in	7.4kg 16.31 lbs
		120 × 12 × 4 cm 47.24 × 4.72 × 1.57 in	11kg 24.25 lbs

VASES

P116	P117
	
PIPELINE 425	PIPELINE 645
sku DB-09105S	sku DB-09105M
exterior concrete	exterior concrete
reservoir glass	reservoir glass
	
11 × 15.5 × 42 cm 6.1 × 4.33 × 16.73 in	4.2kg 9.26 lbs
	11 × 24.5 × 64.5 cm 9.65 × 4.33 × 25.39 in
	7.2kg 15.87 lbs

PLANTERS



NUCLEAR PLANT 160 **NUCLEAR PLANT 320** **NUCLEAR PLANT 460**

sku	DB-09106.1	sku	DB-09106.2	sku	DB-09106.3
planter	concrete	planter	concrete	planter	concrete
stopper	rubber	stopper	rubber	stopper	rubber

15.6 × 15.6 × 16 cm 6.5 × 6.3 × 6.3 in	1.3kg 2.87 lbs	31.7 × 31.7 × 32 cm 12.48 × 12.6 × 12.6 in
		5.2kg 11.46 lbs
		46 × 46 × 48 cm 18.11 × 18.9 × 18.9 in
		11kg 24.25 lbs

DECORATIONS

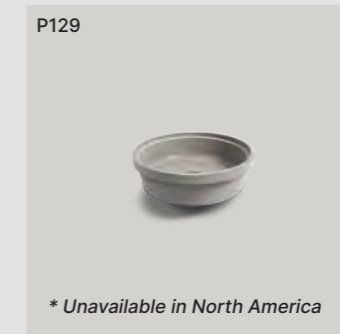


GRAY PLANET

sku	D-09950
material	concrete

70 × 50 × 4 cm 27.56 × 19.69 × 1.57 in
10kg 22.05 lbs

SINKS



BAK

sku	D-09900
basin	concrete
stopper, adapter	chrome-plated steel

38 × 38 × 10 cm 14.96 × 3.94 × 3.94 in
6.1kg 13.45 lbs

DESK ORGANIZERS



BLOCKWORK

sku	D-09112
body	concrete

25.7 × 9.7 × 8 cm 10.04 × 3.82 × 3.15 in
1.2kg 2.65 lbs

LAMPS



FLOOR LAMP

sku	PLW-LT-001
fixture	concrete
stand	steel, clear finish

30 × 25 × 43 cm 15.16 × 10.63 × 17.72 in
6.25kg 13.78 lbs

FRAG * Unavailable in North America



50 x 70 cm 60 x 70 cm 60 x 60 cm 50 x 50 cm

sku	D-09102	sku	D-09111	sku	D-09110	sku	D-09101
material	concrete	material	concrete	material	concrete	material	concrete

70 x 50 x 4 cm 27.56 x 19.69 x 1.57 in	9.9kg 21.83 lbs	70 x 60 x 4 cm 27.56 x 23.62 x 1.57 in	11.4kg 25.13 lbs	60 x 60 x 4 cm 23.62 x 23.62 x 1.57 in	10kg 22.05 lbs	50 x 50 x 4 cm 19.69 x 19.69 x 1.57 in	7kg 15.43 lbs

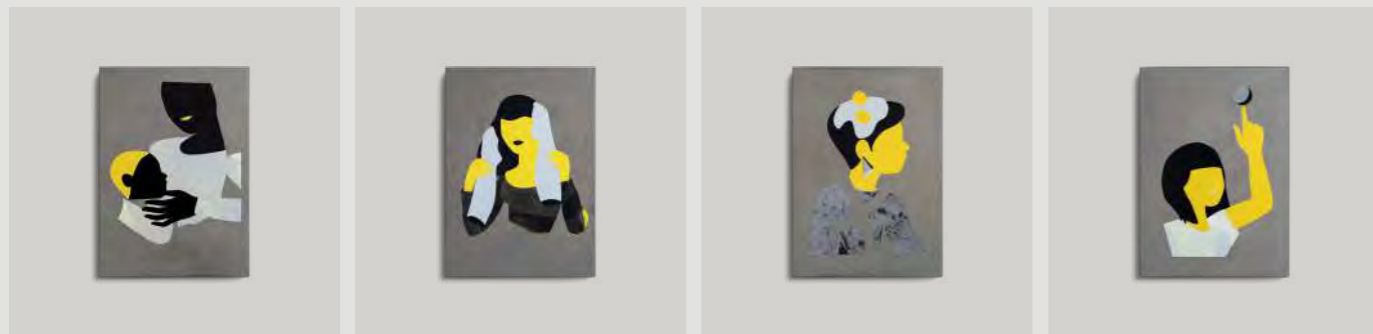


40 x 40 cm 30 x 24 cm

sku	D-09103	sku	D-09099
material	concrete	material	concrete

40 x 40 x 4 cm 15.75 x 15.75 x 1.57 in	4.8kg 10.58 lbs	24 x 30 x 4 cm 9.45 x 11.81 x 1.57 in	2.8kg 6.17 lbs

FRAG LUCIE ALBON * Unavailable in North America



MOULINSART 01 MOULINSART 02 MOULINSART 03 MOULINSART 04

sku	LA-030	sku	LA-031	sku	LA-032	sku	LA-033
material	concrete	material	concrete	material	concrete	material	concrete
available sizes	50 x 70 cm	available sizes	50 x 70 cm	available sizes	50 x 70 cm	available sizes	50 x 70 cm
printing	Digital & screen printing	printing	Digital & screen printing	printing	Digital & screen printing	printing	Digital & screen printing

--	--	--	--	--	--	--	--

LET'S TALK ABOUT CUSTOMIZING OUR PRODUCTS

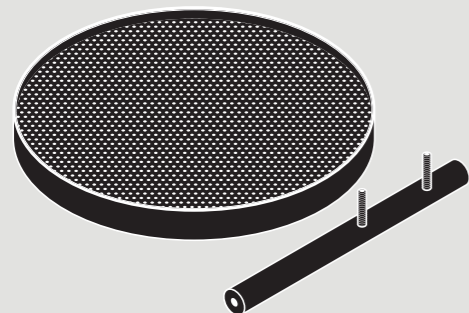
Some of our products can be customized.

Requests for customization are subject to a study and a personalized quote built with you.

As a general rule, the following can be done.

For metal components

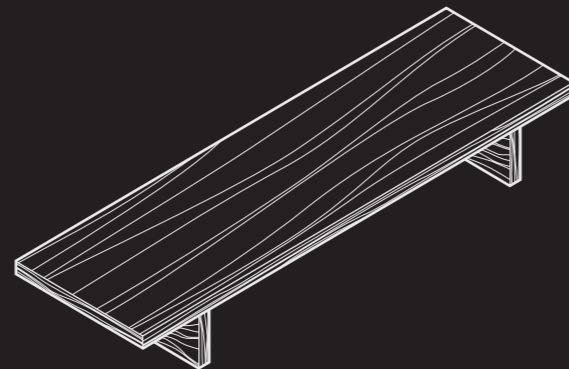
Customization of top shapes and base heights. Customization of the finish: color and protection - varnish: matte, gloss, textured. The paint color can be chosen at Axalta.



For wooden elements

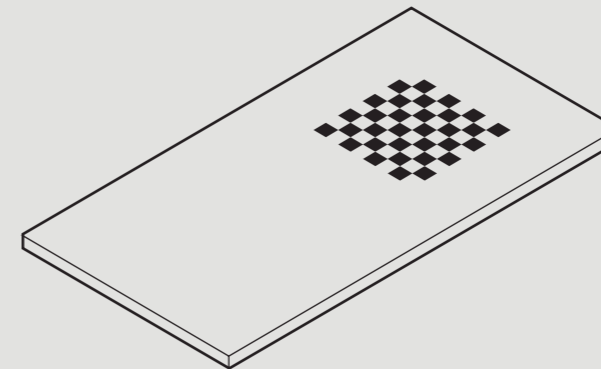
Customize your veneer from the Polyrey, Abet laminati and Oberflex classics catalogs. If it is a natural wood veneer, the protective finish is to be chosen at Rubio Monocoat only.

We are not responsible in case of wrong choice of veneer in use: scratches, stains... Customization of shapes and sizes.



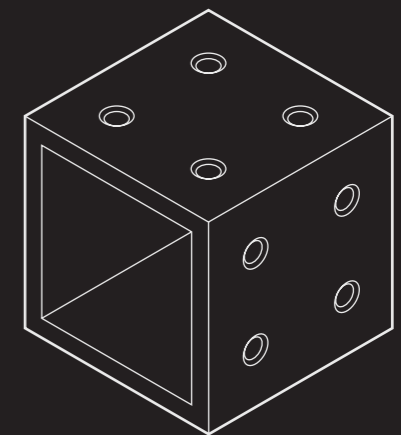
Printing and silk-screening

For all flat surfaces and whatever the material, we offer a digital printing service and / or screen printing to customize our furniture with artwork, touches of color, a company logo ...

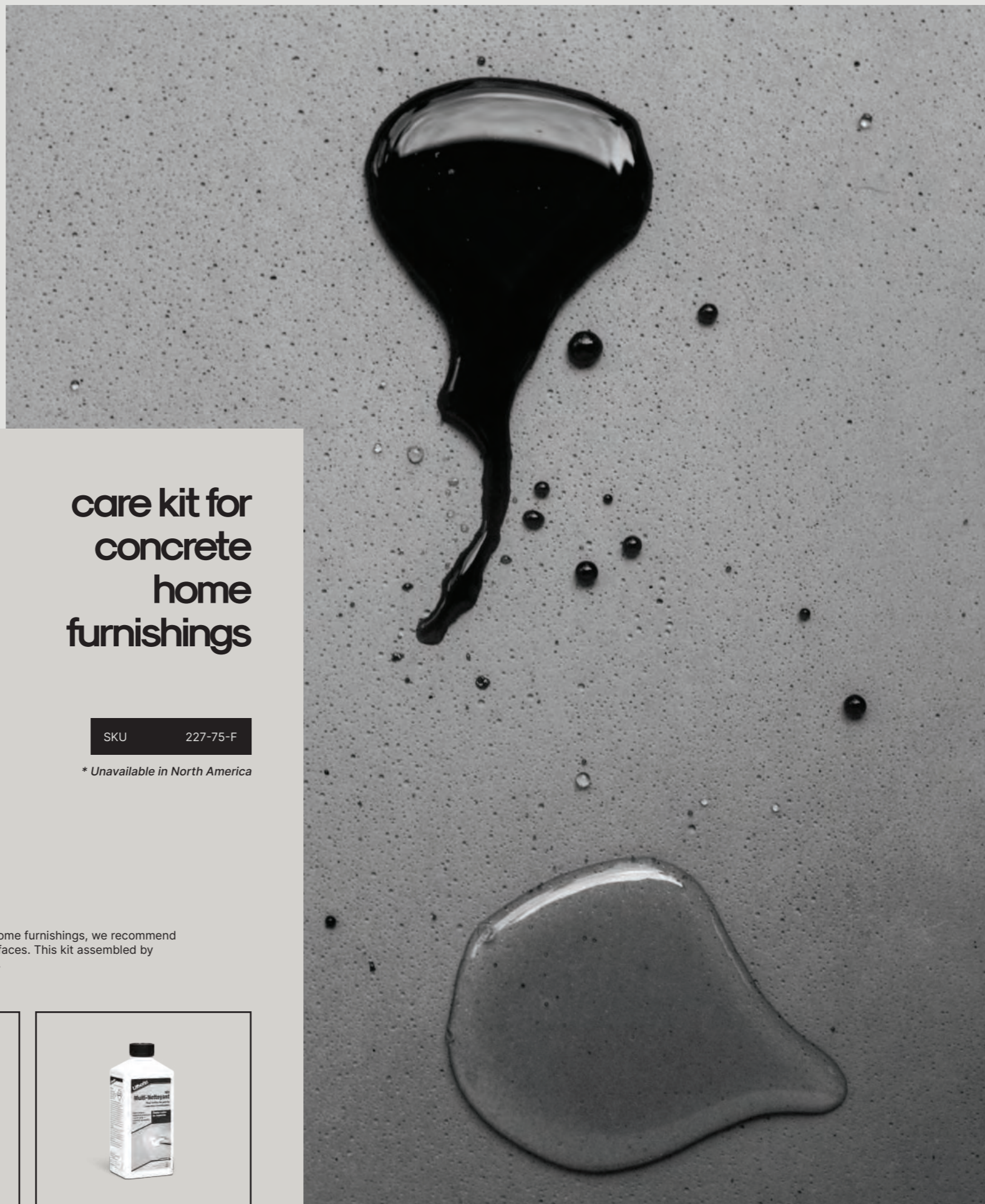


For concrete parts

Making custom-made concrete elements is more complex because it requires the creation of a mold. However, it is possible to create a customized piece for large series.



CARE INSTRUCTIONS



care kit for concrete home furnishings

SKU 227-75-F

* Unavailable in North America



When caring for and cleaning your concrete home furnishings, we recommend using products designed for natural stone surfaces. This kit assembled by Lithofin offers a complete protection solution.



Fleckstop W 0.25 L : invisible stain protection



MN Easy Clean Spray 0.5 L : daily care for concrete surfaces



MN Multi-Cleaner 0.5 L : pre-treatment deep cleaner for concrete

All of our concrete furnishings are treated at the manufacturing stage with water- and oil-repellent solutions to help protect against stains. This treatment is not permanent. To help it last, we recommend cleaning your furniture with a soft cloth and without the use of any abrasive materials or solvents. If you want to keep your furniture stain-free for as long as possible, all you have to do is apply a new treatment from time to time. Some of our customers like it when their furniture ages and takes on the patina of passing time. That's another approach.

CONTACT

NOTES

BOUTIQUE

590 Boulevard Albert Camus,
69400 Villefranche-sur-Saône
+33 (0)9 70 66 19 34

SALES

bonjour@lyon-beton.com
+33 (0)9 70 66 19 34

NORTH AMERICA
AUDREY CALIGARO +1 514 501 1190

FRANCE - BELGIQUE - LUXEMBOURG
JEAN D'HOMMEE +33 (0)7 67 84 90 82

ALLEMAGNE - PAYS BAS - AUTRICHE
ANTOINE SERRE +49 178 579 8004

ALL OTHER COUNTRIES
MAXIME BERNARD +33 (0)6 18 00 21 33

MARKETING PRESS

press@lyon-beton.com

FRANCK VITASSE +33 (0)6 83 47 56 40

lyon beton™



lyon-beton.com