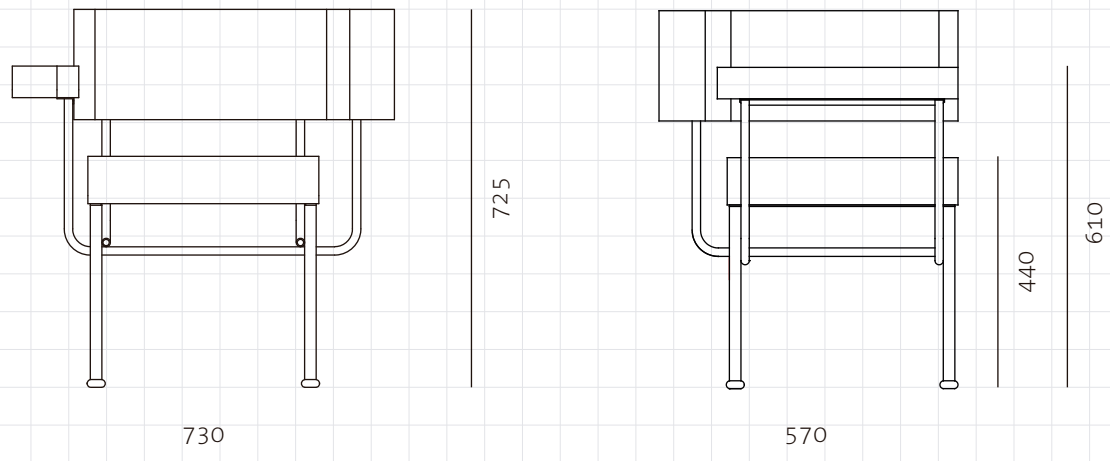


### Cotton Club Lounge Chair (1988)



#### CODE

CF-S111

#### DIMENSIONS

W730 x D570 x H725mm

#### NET WEIGHT

Seating height: 440mm

#### ENVIRONMENT

13.5 kg

#### MATERIALS

Indoor

Steel black powder coat matt, upholstery

\*Please refer to website or contact your local representative for complete material swatches.

#### SHIPPING

<b>Package</b>	Assembled		
<b>Package Qty</b>	1 pcs/box		
<b>Packaging</b>	<b>Measurement (mm)</b>	<b>Volume (cbm)</b>	<b>Gross Weight (kg)</b>
<b>FCL</b>	W795 x D635 x H810	0.41	19.30
<b>LCL/AIR</b>	W815 x D655 x H905	0.48	25.50