

BOTTI FLOOR





BOTTI | FLOOR

Botti floor lamp was inspired by the jazz musician of Chris Botti. The mid-century floor lamp is handmade in brass with a gold plated finish that reminds of a real trumpet due to its unique shape. With an aluminum base, this modern floor light can be customized to your mid-century modern interior. This brass floor lamp has eight spotlights which offer a soft lighting, and goes as tall as 70,9 inches. Botti art deco floor lamp showcases a high-quality craftsmanship, that will definitely make a statement in your sophisticated classic living room design or mid-century hotel lobby. Botti contributes a jazzy and mid-century vibe as does the gold plated and white glossy finishes.

MATERIALS

Body : Brass
Shade : Brass

DIMENSIONS

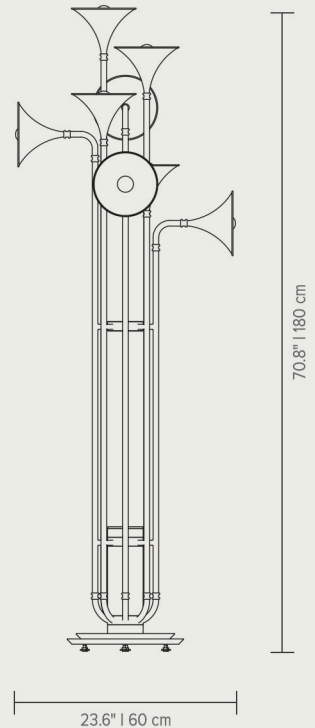
Height : 70.8" | 180 cm
Diam : 23.6" | 60 cm

WEIGHT

Approx. 18 kg | 39.7 lbs

BULBS

8x E27
(bulbs not included for North America)



Gold Matte

Copper

Nickel

Nickel Matte

Black Nickel



ROY SCHEIDER IN

All that work,
All that glitz,
All that pain,
All that love,
All that crazy
rhythms,
All that jazz.

STORY BY ROY SCHEIDER & BOB FOSSE
DIRECTED BY BOB FOSSE
CASTING BY ROBERT ALAN ANTONIO
PRODUCTION DESIGNER JESSICA LANGE
EXECUTIVE PRODUCERS ANNE RENNINGER AND GIUSEPPE ROTUNDO
PRODUCED BY JAHAN HEYM
SCREENPLAY BY DANIEL MELNICK
DIRECTED BY ROBERT ALAN ANTONIO

