



## BOLT

choose your wingnut



black aluminum



copper



solid brass



stainless steel

Starting point for the products of Tonone is the passion for traditional mechanics. The first product line that resulted from this fascination is the lamp series 'Bolt'.

Key element in this industrial series is the joint construction that can be adjusted with a wingnut-shaped tool. Besides being a functional tool, this wingnut is integrated in the design of the lamp itself as a distinctive visual element.



# DESK

Design by Anton de Groof 2013

Material steel & aluminum  
 Description base and body in coated steel, shade in coated aluminum  
 the shade and arms are adjustable with the wingnut  
 Total weight 2 arm foot 7,6 kg  
 2 arm clamp 2,5 kg  
 1 arm foot 7,1 kg  
 1 arm clamp 2,0 kg  
 Volt 220-240 V  
 Max Watt 60 Watt  
 Socket E27

2 arm foot



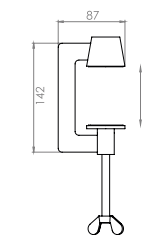
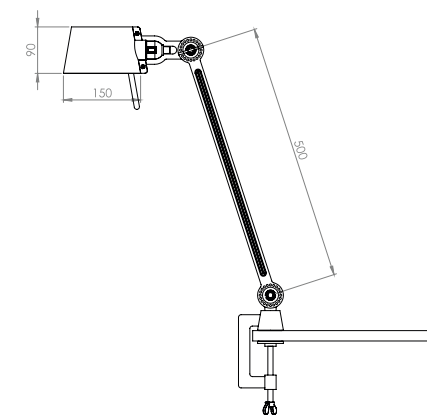
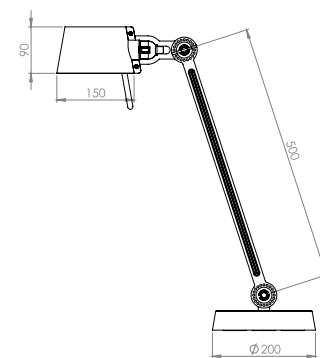
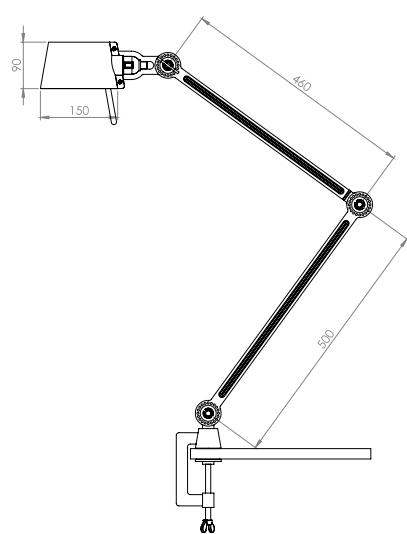
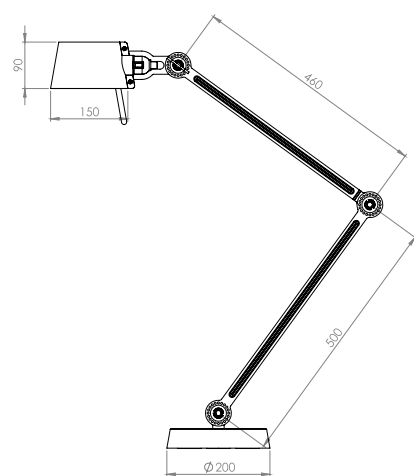
2 arm clamp



1 arm foot



1 arm clamp



	desk 2 arm foot	desk 2 arm clamp	desk 1 arm foot	desk 1 arm clamp
● smokey black	1001	1009	1017	1025
● flux green	1003	1011	1019	1027
● pure white	1005	1013	1021	1029
● midnight grey	1252	1253	1254	1255
● ash grey	1008	1016	1024	1032
● striking orange	1006	1014	1022	1030
● lightning white	1004	1012	1020	1028
● thunder blue	1007	1015	1023	1031



# DESK SMALL

Design by Anton de Groof 2013 / 2018

Material steel & aluminum  
 Description base and body in coated steel, shade in coated aluminum  
 the shade and arms are adjustable with the wingnut  
 Total weight 2 arm small foot 5,2 kg  
 1 arm small foot 4,8 kg  
 1 arm small clamp 1,7 kg  
 Volt 220-240 V  
 Max Watt 60 Watt  
 Socket E27



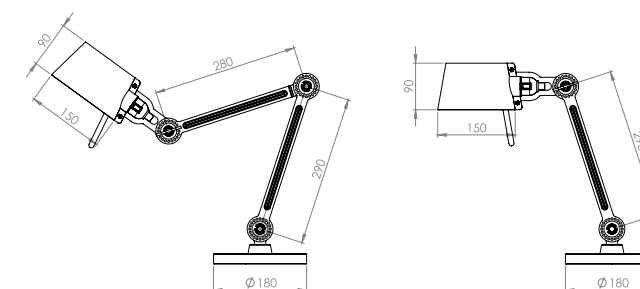
2 arm small



1 arm small



1 arm small clamp



	desk small 2 arm foot	desk small 1 arm foot	desk small 1 arm clamp
● smokey black	1352	1033	1041
● flux green	1353	1035	1042
● pure white	1355	1037	1044
● midnight grey	1359	1256	1257
● ash grey	1358	1040	1048
● striking orange	1356	1038	1045
● lightning white	1354	1036	1043
● thunder blue	1357	1039	1046



# FLOOR

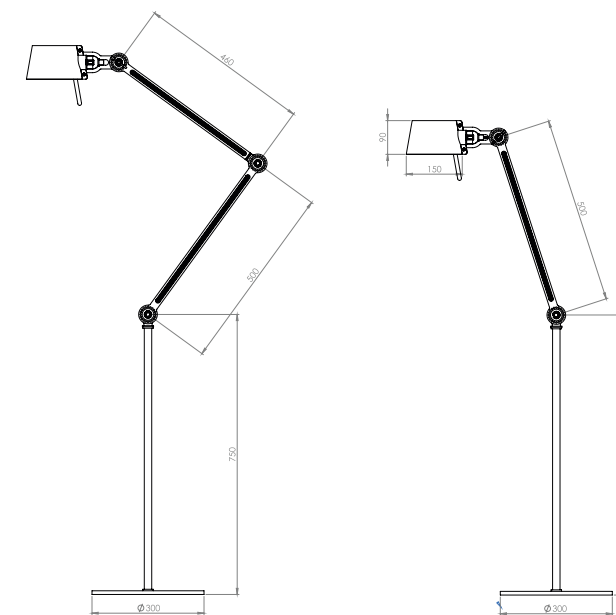
Design by Anton de Groof 2013

Material steel & aluminum  
 Description base and body in coated steel, shade in coated aluminum  
 the shade and arms are adjustable with the wingnut  
 Total weight 2 arm 8,8 kg  
 1 arm 8,3 kg  
 Volt 220-240 V  
 Max Watt 60 Watt  
 Socket E27

2 arm side fit



1 arm side fit



	floor 2 arm side fit	floor 1 arm side fit
● smokey black	1065	1073
● flux green	1067	1075
● pure white	1069	1077
● midnight grey	1260	1261
● ash grey	1072	1080
● striking orange	1070	1078
● lightning white	1068	1076
● thunder blue	1071	1079



# FLOOR LONG

Design by Anton de Groof 2018

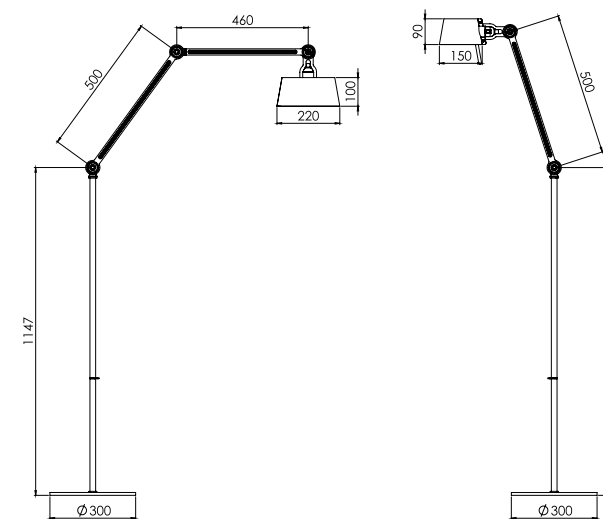
Material steel & aluminum  
 Description base and body in coated steel, shade in coated aluminum  
 the shade and arms are adjustable with the wingnut  
 Total weight 2 arm upper fit 9,8 kg  
 1 arm side fit 9,3 kg  
 Volt 220-240 V  
 Max Watt 60 Watt  
 Socket E27  
 Dimmer 2 arm upper fit includes a LED dimmer



2 arm upper fit



1 arm side fit

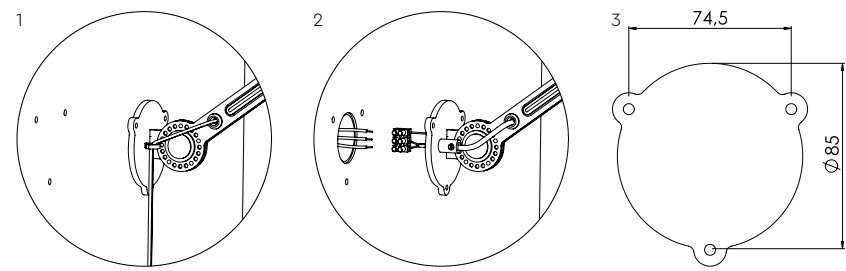


	floor long 2 arm upper fit	floor long 1 arm side fit
● smokey black	1360	1279
● flux green	1361	1280
● pure white	1363	1282
● midnight grey	1367	1286
● ash grey	1366	1285
● striking orange	1364	1283
● lightning white	1362	1281
● thunder blue	1365	1284





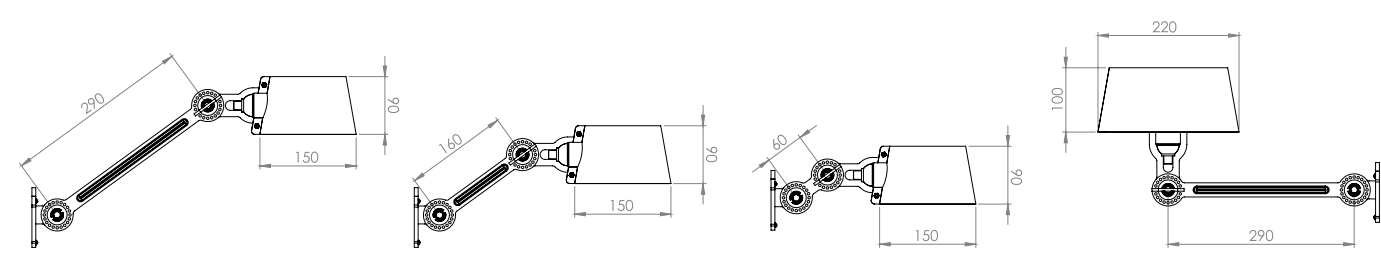
# WALL



Installation With 3 meter powercord including switch and a plug (1).  
With terminal block to install directly on a junction box (2).  
Wall plate dimensions (3).

Design by Anton de Groof 2013

Material steel & aluminum  
Description body in coated steel, shade in coated aluminum  
the shade and arms are adjustable with the wingnut  
Total weight side fit 1,2 kg  
side fit small 1,0 kg  
side fit mini 0,8 kg  
under fit 1,2 kg  
Volt 220-240 V  
Max Watt 60 Watt  
Socket E27

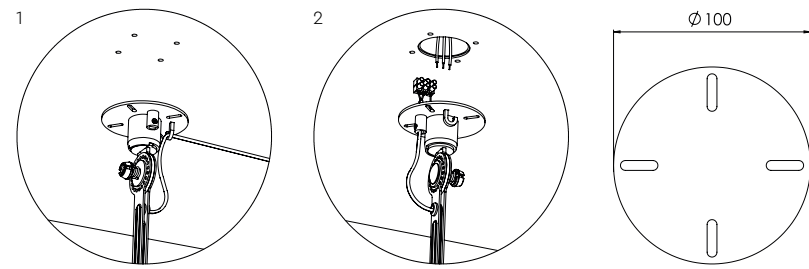


	wall side fit	wall side fit small	wall side fit mini	wall side fit install	wall side fit small install	wall side fit mini install	wall under fit	wall under fit install
● smokey black	1081	1220	1228	1089	1236	1244	1105	1113
● flux green	1083	1222	1230	1091	1238	1246	1107	1114
● pure white	1085	1224	1232	1093	1240	1248	1109	1116
● midnight grey	1262	1263	1264	1265	1266	1267	1268	1269
● ash grey	1088	1227	1235	1096	1243	1251	1112	1120
● striking orange	1086	1225	1233	1094	1241	1249	1110	1117
● lightning white	1084	1223	1231	1092	1239	1247	1108	1115
● thunder blue	1087	1226	1234	1095	1242	1250	1111	1118

DEAR ALL,  
THANKS FOR ALL YOUR CONSISTENT HARD WORK  
FOR YOUR CREATIVE AND COMMERCIAL INPUT  
I COULD NEVER HAVE DONE THIS WITHOUT YOU ALL  
TOGETHER WE DID IT  
SO PROUD!  
LOVE ANTON



# CEILING



Installation With 3 meter powercord including switch and a plug (1).  
With terminal block to install directly on a junction box (2).

Design by Anton de Groof 2016

Material steel & aluminum  
 Description body in coated steel, shade in coated aluminum  
 the shade and arms are adjustable with the wingnut  
 Total weight 1 arm upper fit 1,4 kg  
 2 arm upper fit 1,9 kg  
 1 arm side fit 1,4 kg  
 2 arm side fit 1,9 kg  
 Volt 220-240 V  
 Max Watt 60 Watt  
 Socket E27

1 arm upper fit



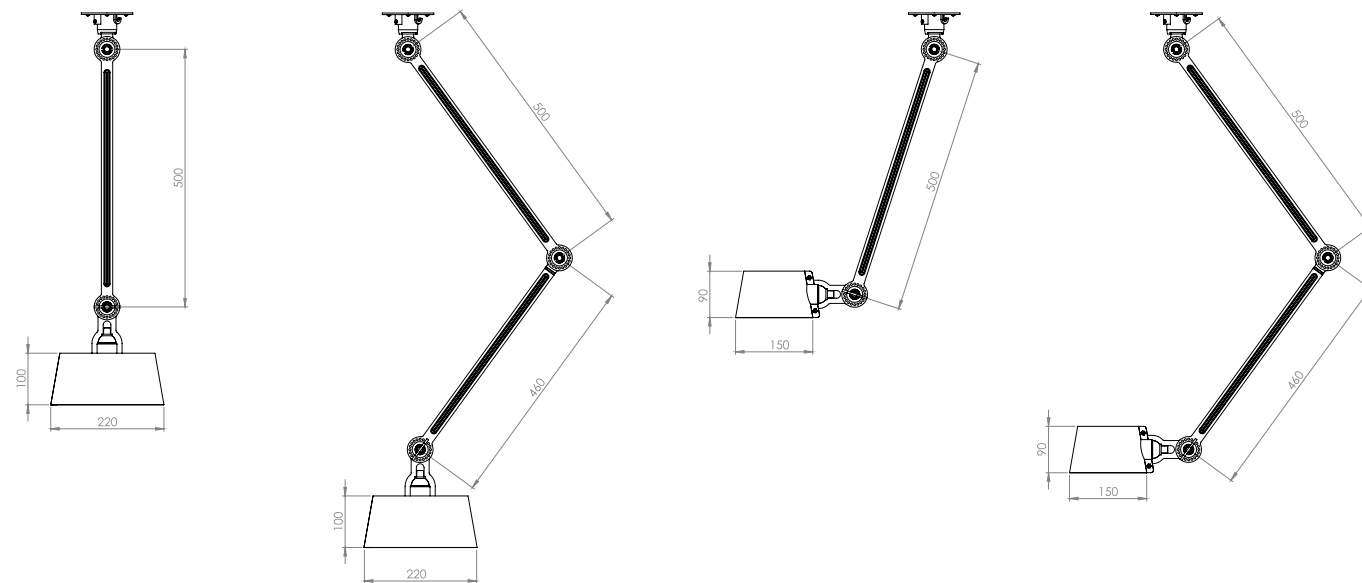
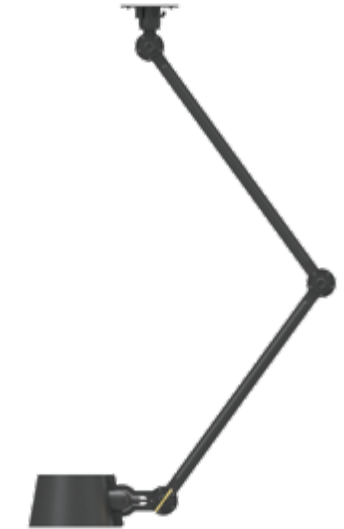
2 arm upper fit



1 arm side fit



2 arm side fit



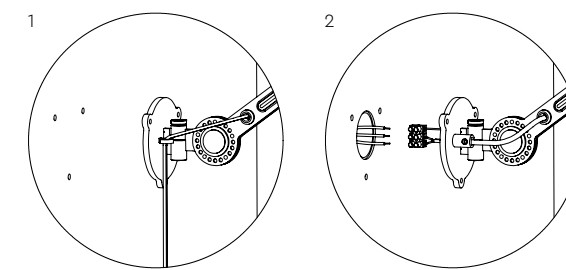
	ceiling 1 arm side fit	ceiling 1 arm side fit install	ceiling 2 arm side fit	ceiling 2 arm side fit install	ceiling 1 arm upper fit	ceiling 1 arm upper fit install	ceiling 2 arm upper fit	ceiling 2 arm upper fit install
● smokey black	1201	1304	1195	1320	1182	1312	1192	1328
● flux green	1203	1305	1176	1321	1183	1313	1199	1329
● pure white	1205	1307	1178	1323	1185	1315	1194	1331
● midnight grey	1274	1311	1275	1327	1276	1319	1277	1335
● ash grey	1207	1310	1181	1326	1187	1318	1196	1334
● striking orange	1202	1308	1179	1324	1188	1316	1200	1332
● lightning white	1204	1306	1177	1322	1184	1314	1198	1330
● thunder blue	1206	1309	1180	1325	1186	1317	1197	1333



# BED

Design by Anton de Groof 2013

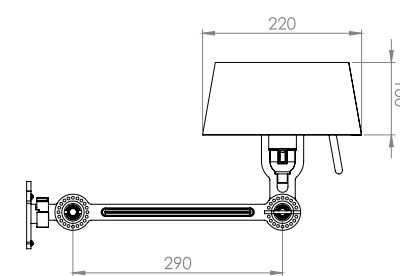
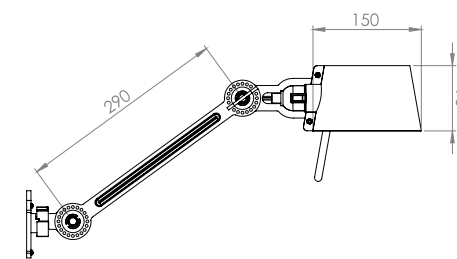
Material steel & aluminum  
 Description body in coated steel, shade in coated aluminum, the shade and arms are adjustable with the wingnut  
 Total weight side fit 1,2 kg  
 under fit 1,2 kg  
 Volt 220-240 V  
 Max Watt 60 Watt  
 Socket E27  
 Installation on the wall, includes a 3 meter power cord with a plug (1) directly on a junction box, includes a 0,1 meter power cord with terminal block (2) dimensions plate bolt bed on page 24.



side fit



under fit



	bed side fit	bed side fit install	bed under fit	bed under fit install
● smokey black	1129	1137	1145	1153
● flux green	1131	1139	1147	1155
● pure white	1133	1141	1149	1157
● midnight grey	1270	1271	1272	1273
● ash grey	1136	1144	1152	1160
● striking orange	1134	1142	1150	1158
● lightning white	1132	1140	1148	1156
● thunder blue	1135	1143	1151	1159



# CHANDELIER

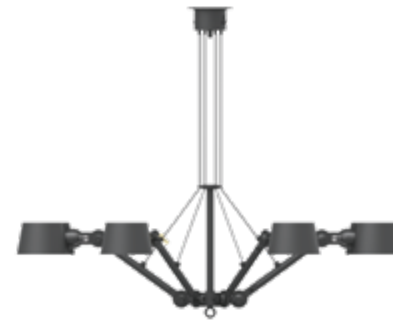
Design by Anton de Groof 2013

Material steel & aluminum  
 Description body in coated steel, shades in coated aluminum  
 the shades and arms are adjustable with the wingnut

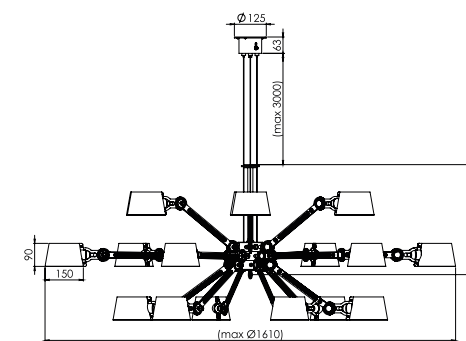
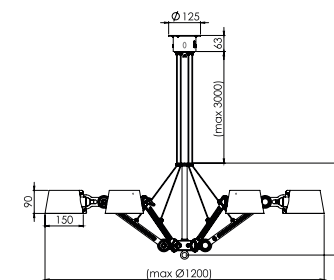
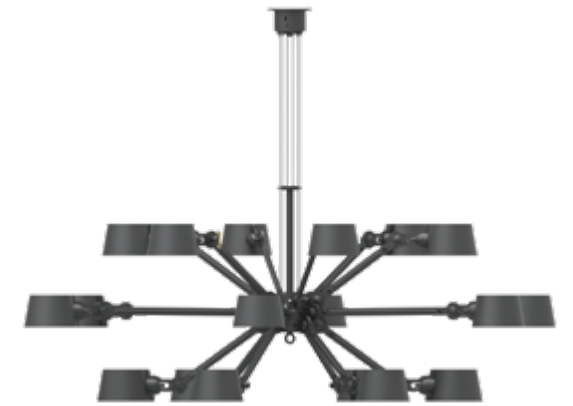
Total weight 6 arms 9,8 kg  
 18 arms 19,4 kg

Volt 220-240 V  
 Max Watt 60 Watt  
 Socket E27

6 arm



18 arm



	Chandelier 6 arm	Chandelier 18 arm
● smokey black	1161	1298
● flux green	1163	
● pure white	1165	
● midnight grey	1278	
● ash grey	1168	
● striking orange	1166	
● lightning white	1164	
● thunder blue	1167	





# TABLE

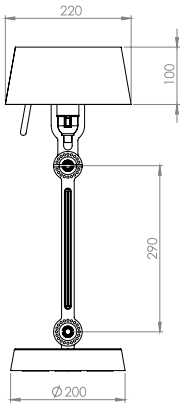
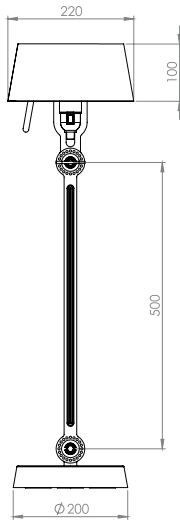
Design by Anton de Groof 2013

Material steel & aluminum  
 Description body in coated steel, shade in coated aluminum  
 the shade and arms are adjustable with the wingnut  
 Total weight standard 7,1 kg  
 small 6,8 kg  
 Volt 220-240 V  
 Max Watt 60 Watt  
 Socket E27

standard



small



	<i>table standard</i>	<i>table small</i>
● smokey black	1049	1057
● flux green	1051	1059
● pure white	1053	1061
● midnight grey	1258	1259
● ash grey	1056	1064
● striking orange	1054	1062
● lightning white	1052	1060
● thunder blue	1055	1063





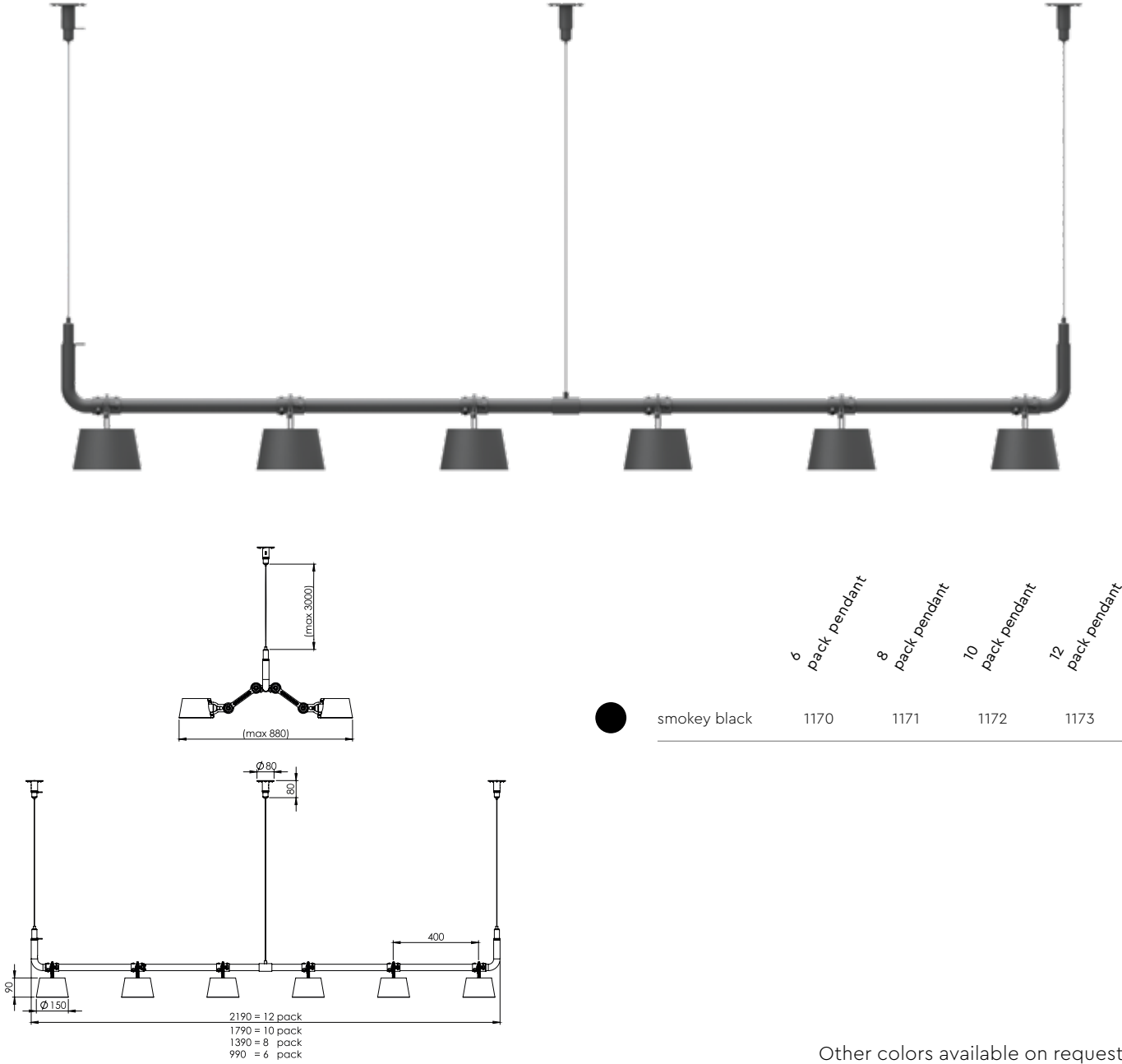


# PACK PENDANT

Design by Anton de Groof 2013

Material	steel & aluminum	
Description	body in coated steel, shades in coated aluminum the shades and arms are adjustable with the wingnut	
Total weight	6 pack	8,7 kg
	8 pack	11,3 kg
	10 pack	13,9 kg
	12 pack	16,4 kg
Volt	220-240 V	
Max Watt	60 Watt	
Socket	E27	

## pack pendant



Other colors available on request