



SCARLET
SPLENDOUR

BIJOU BORDEAUX



Bijou Bordeaux is an endearing seat which looks especially delightful matched with the *Woman in Paris Bordeaux* dressing table.

recommended use in a residence, hotel or commercial space

collection VANILLA
noir

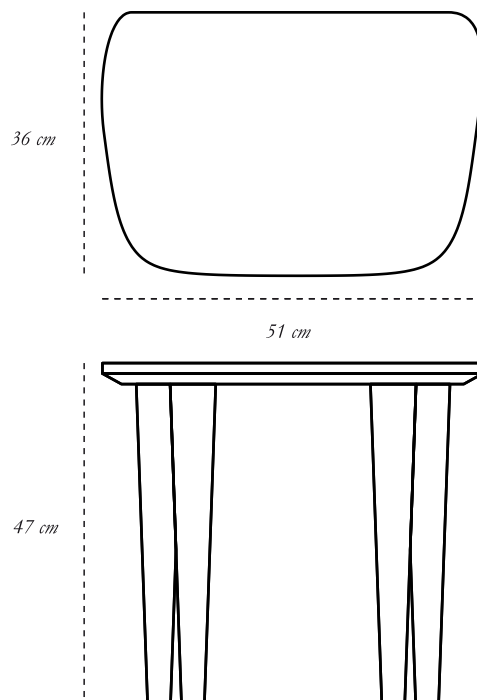
designer Matteo Cibic

THE EDIDA 2015 VANILLA
Young Talent Joint Winner ***noir***

description Seat

dimension width 51 cm
height 47 cm
depth 36 cm

material MDF and Resin inlay



CARE Clean gently with dry soft cloth • In case of spillage of water wipe immediately • A premium, liquid wax may be used occasionally to refresh the high gloss

Each piece in the Vanilla Noir collection exalts the handmade, the painstakingly crafted, the authentic. A piece may have slight variations and tiny imperfections but these are the marks of an artisan, a testament to the individuality of each work of art. It is our belief that these variations infuse our objets d'art with desire and we assert our right to make necessary qualitative changes.