



SCARLET
SPLENDOUR

BIJOU ORO



Bijou Oro is an opulent seat with brass inlay. It may be used as a single statement piece or with the stunning *Woman in Paris Oro* dressing table

collection VANILLA
noir | **ORO**

recommended use in a residence, hotel or commercial space

designer Matteo Cibic

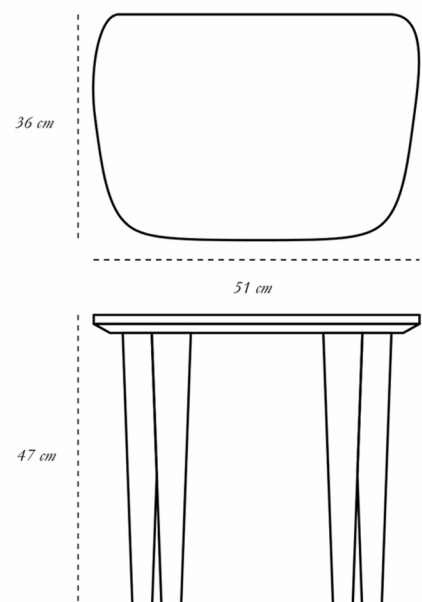
description Stool

dimension width 51 cm

depth 36 cm

height 47 cm

material Teakwood, plywood, brass



CARE Clean gently with dry soft cloth • In case of spillage of water wipe immediately

Each piece in the Vanilla Noir Oro collection exalts the handmade, the painstakingly crafted, the authentic. A piece may have slight variations and tiny imperfections but these are the marks of an artisan, a testament to the individuality of each work of art. It is our belief that these variations infuse our objets d'art with desire and we assert our right to make necessary qualitative changes.