

BEADS

With the Beads collection Tonone introduces a series of lamps designed to fit in every environment. The modest look of the armature starts shining when it comes to functionality. With its 360 degrees dimmable Led range, the Beads is a solution for every situation.

On top of that the Beads is available as a pendant, a ceiling-, wall-, floor- or table lamp. With the Beads Tonone illustrates a next step in innovating lighting concepts, but also sticks to the basic design signature of this brand.



PENDANT

Design by Anton de Groof 2018

Material	aluminium		
Description	The lightweight beads is completely made out of aluminum materials. Our smart, compact and minimalistic LED armature is designed for multiple uses. The 360 degrees light range makes this lamp useful in various situations.		
Total weight	pendant box 50	0.9 kg	
	pendant box 108	1.0 kg	
	pendant install	0.8 kg	
	ceiling install	0.9 kg	
Tech specs	220-240 V		
Max Watt	17 Watt		
Light source	mains dimmable LED		
LED color	2700 K		

pendant box 50



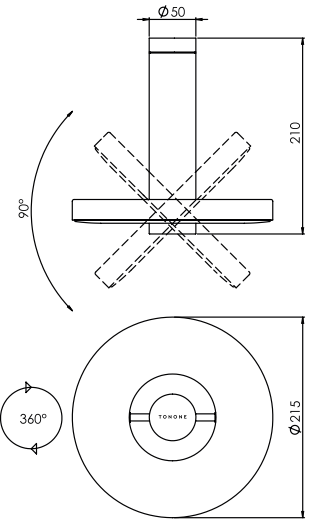
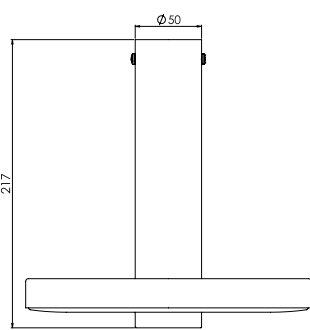
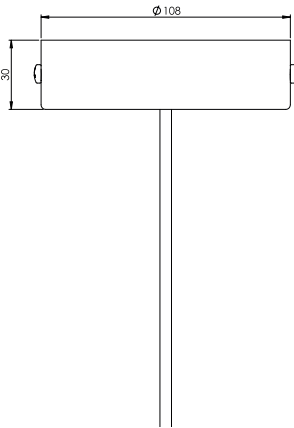
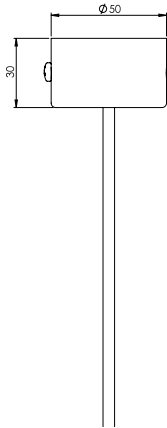
pendant box 108



pendant



ceiling direct



	pendant box 50	pendant box 108	pendant	ceiling direct
● smokey black	2000	2010	2020	2030

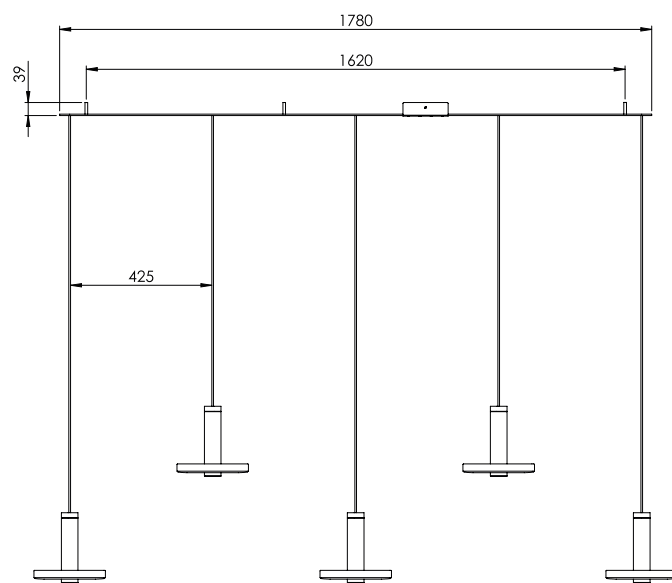
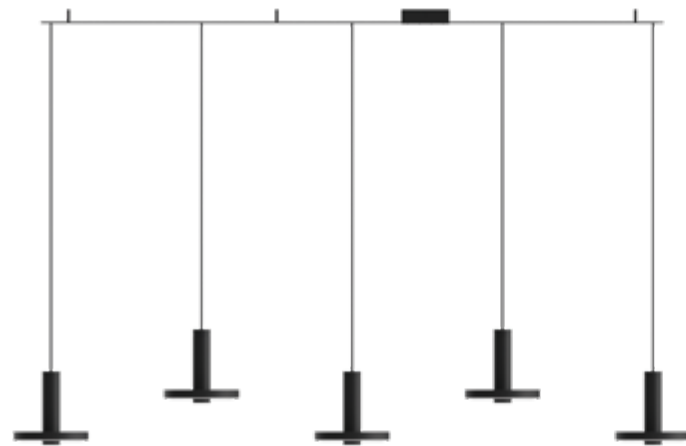


BEADS IN LINE

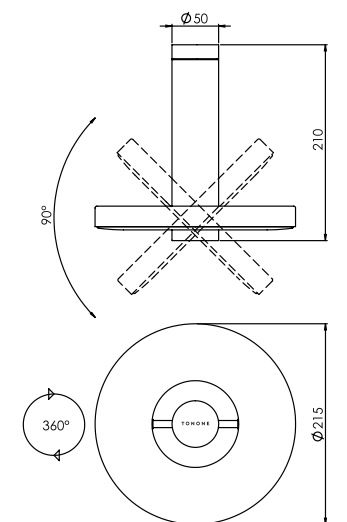
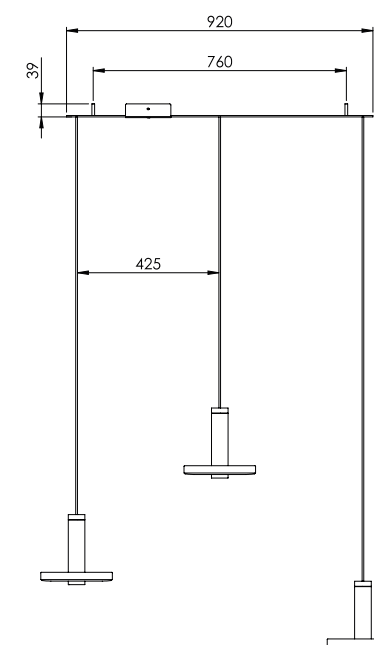
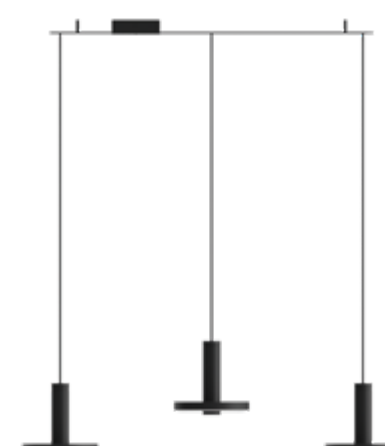
Design by Anton de Groof 2018

Material aluminium
 Description The lightweight beads is completely made out of aluminum materials. Our smart, compact and minimalistic LED armature is designed for multiple uses. The 360 degrees light range makes this lamp useful in various situations.
 Total weight five beads in line 4.2 kg
 three beads in line 3.5 kg
 Tech specs 220-240 V
 Max Watt 17 Watt
 Light source mains dimmable LED
 LED color 2700 K

five beads in line



three beads in line



	five beads in line	three beads in line
● smokey black	3010	3020

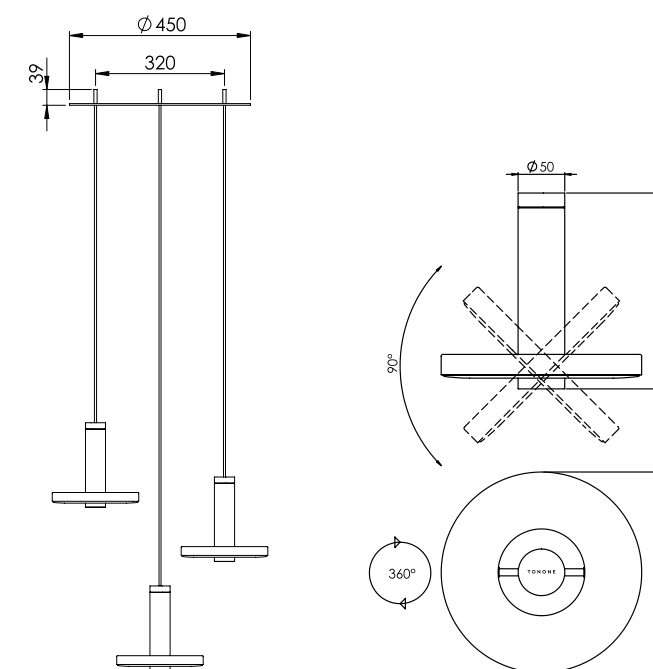
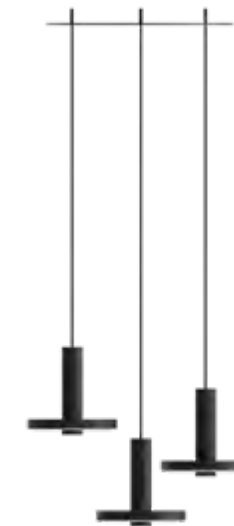


BEADS IN CIRCLE

Design by Anton de Groof 2018

Material	aluminium
Description	The lightweight beads is completely made out of aluminum materials. Our smart, compact and minimalistic LED armature is designed for multiple uses. The 360 degrees light range makes this lamp useful in various situations.
Total weight	three beads in circle 7,2 kg
Tech specs	220-240 V
Max Watt	17 Watt
Light source	mains dimmable LED
LED color	2700 K

three beads in circle

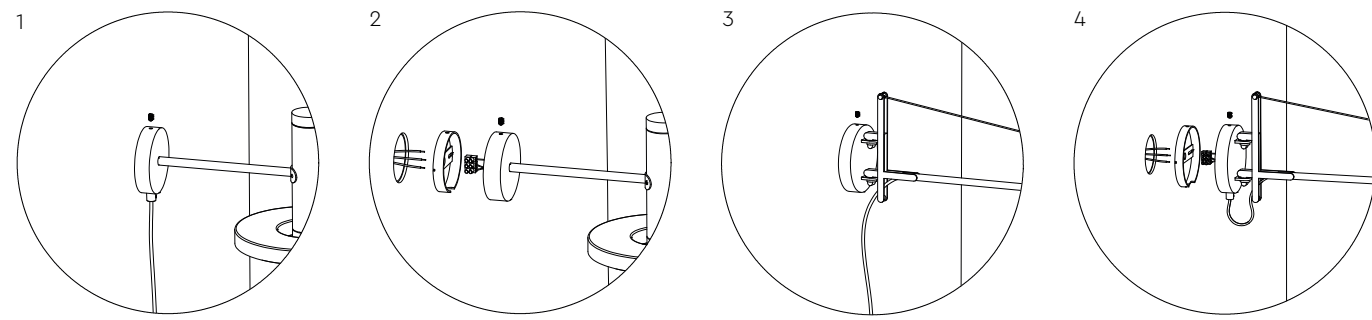


smokey black

three beads
in circle

3030

WALL



Installation With 3 meter powercord including switch and a plug (1 & 3).
With terminal block to install directly on a junction box (2 & 4).
Dimensions wall mounting plate (5).

Design by Anton de Groof 2018

Material aluminium & steel
Description The lightweight beads is completely made out of aluminum materials. wall mounts in coated steel. Our smart, compact and minimalistic LED armature is designed for multiple uses. The 360 degrees light range makes this lamp useful in various situations.

Total weight wall 120 1,4 kg wall 35 1.2 kg
wall direct 0,9 kg

Tech specs 220-240 V
Max Watt 17 Watt
Light source dimmable LED
LED color 2700 K

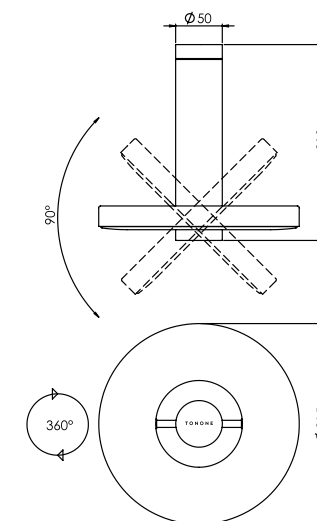
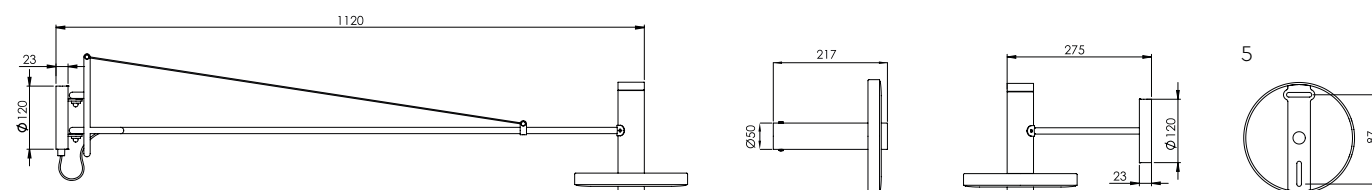
wall 120



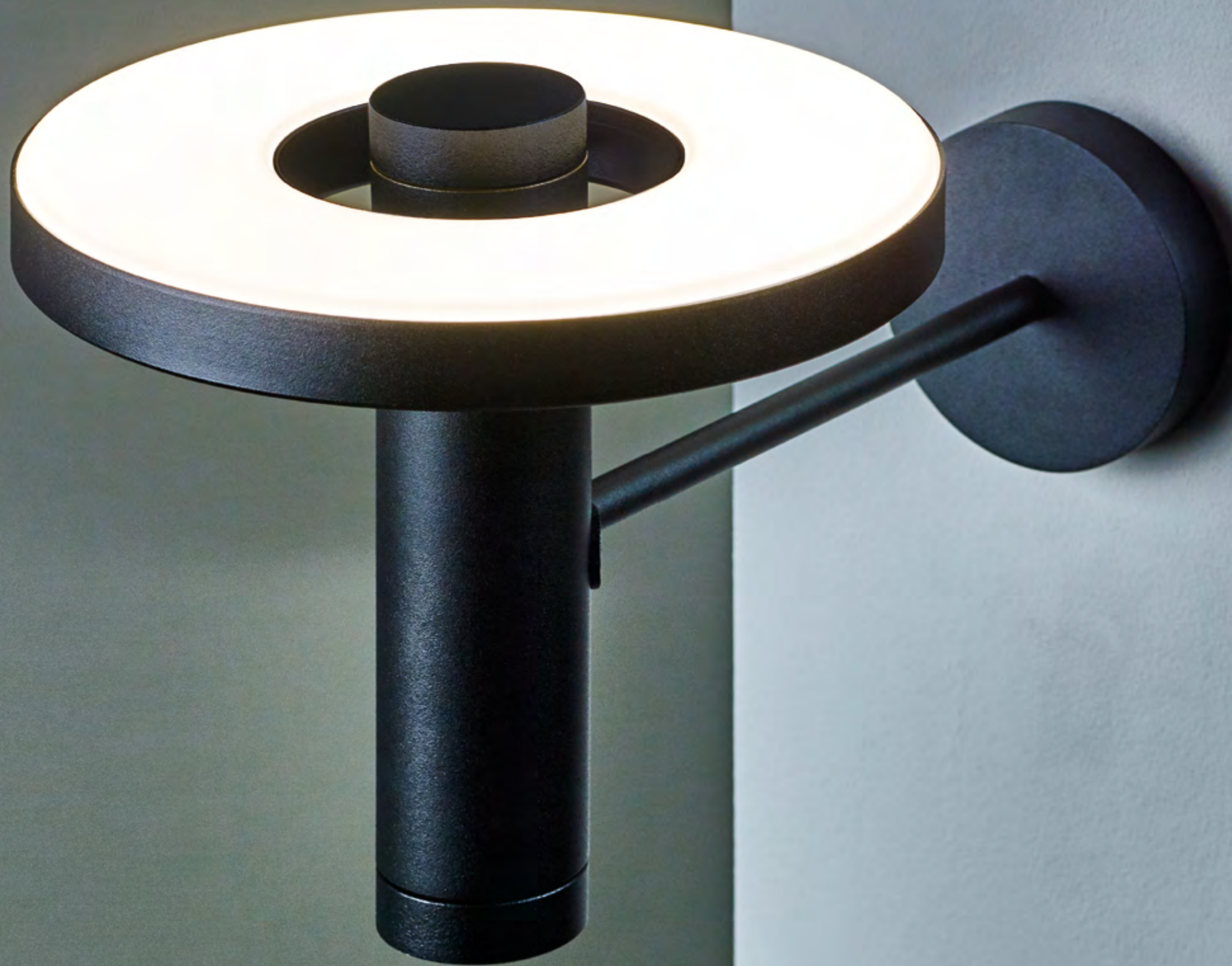
wall direct



wall 35



	wall 120	wall 120 install	wall direct	wall 35	wall 35 install	wall 35 upright	wall 35 upright install
● smokey black	2040	2050	3000	2060	2070	2080	2090



FLOOR & TABLE

Design by Anton de Groof 2018

Material aluminium & steel
 Description The lightweight beads is completely made out of aluminum materials. Base and tube in coated steel. Our smart, compact and minimalistic LED armature is designed for multiple uses. The 360 degrees light range makes this lamp useful in various situations.
 Total weight floor 5.7 kg
 table 3.2 kg
 Tech specs 220-240 V
 Max Watt 17 Watt
 Light source dimmable LED
 LED color 2700 K

floor



table

