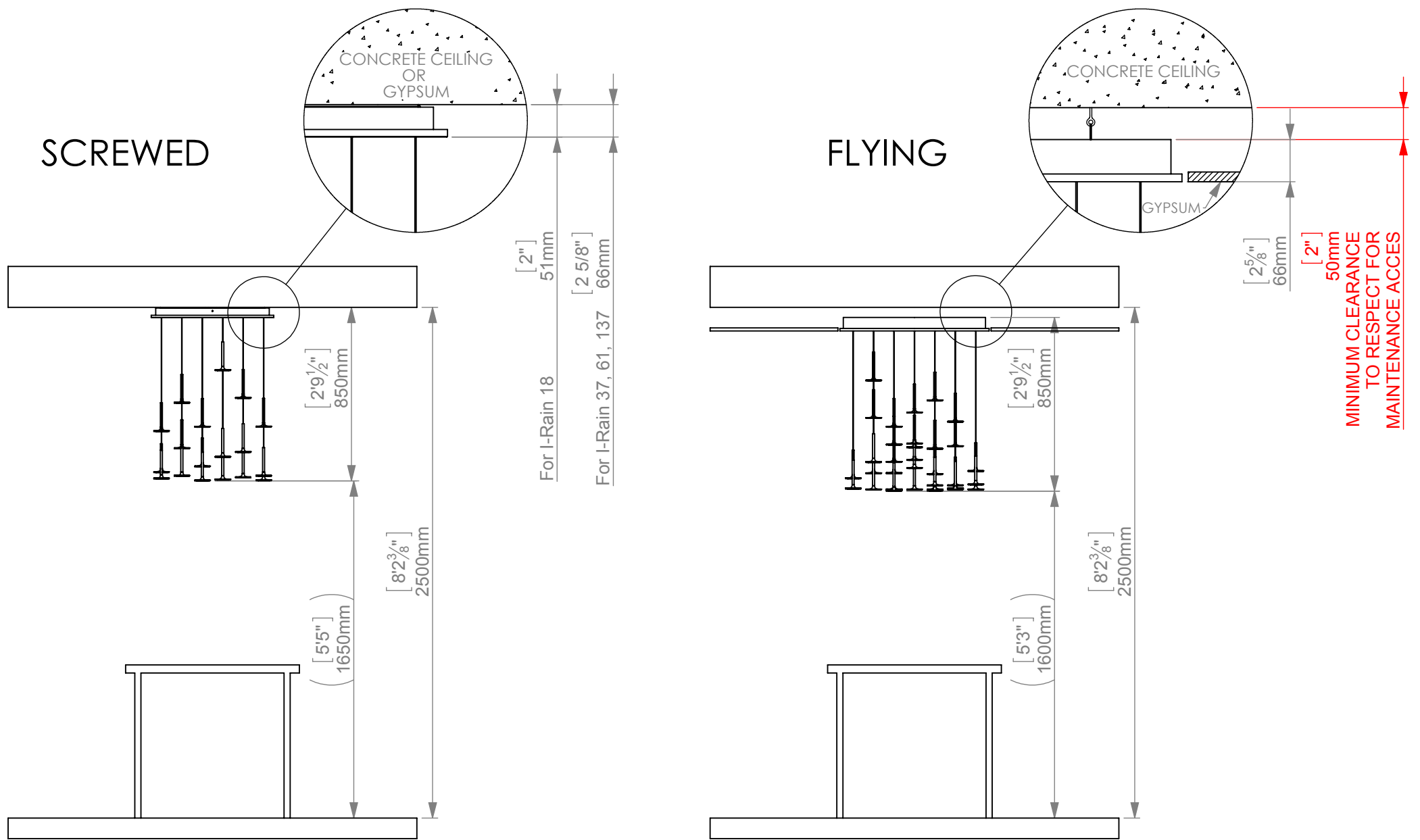


# I-RAIN SELECTION CHART

## 1. SELECTION OF THE CEILING FIXATION



## 2. FIND YOUR REFERENCE

**BB045.XXX.XX.XX**

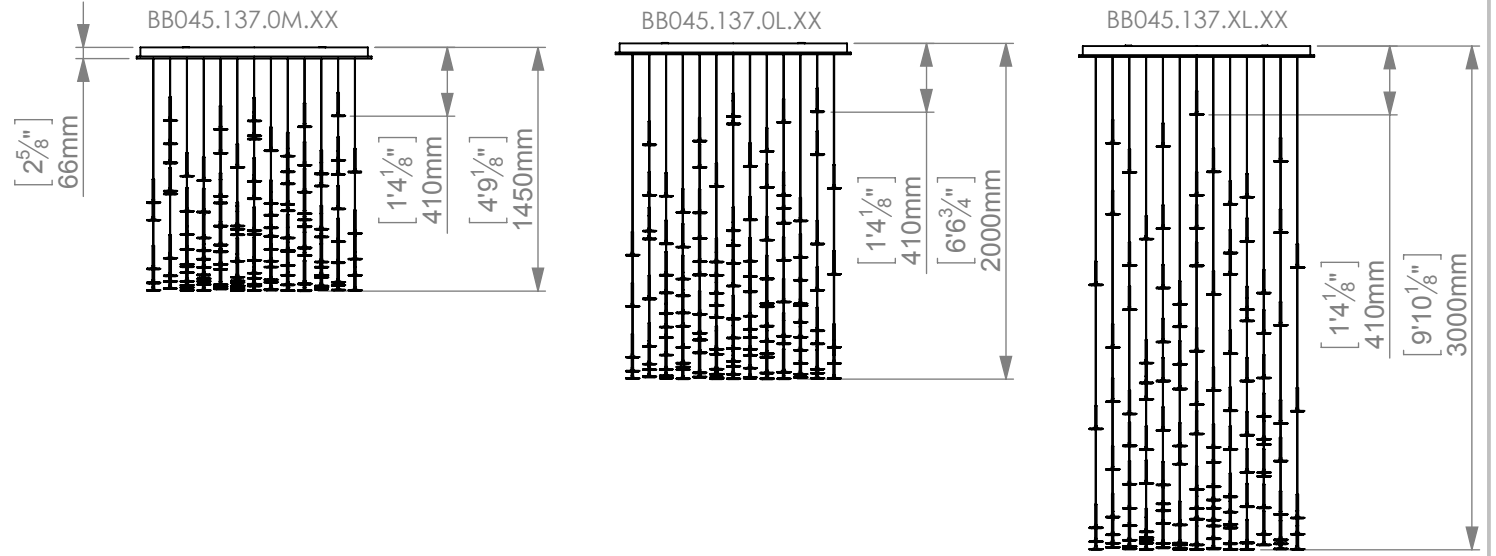
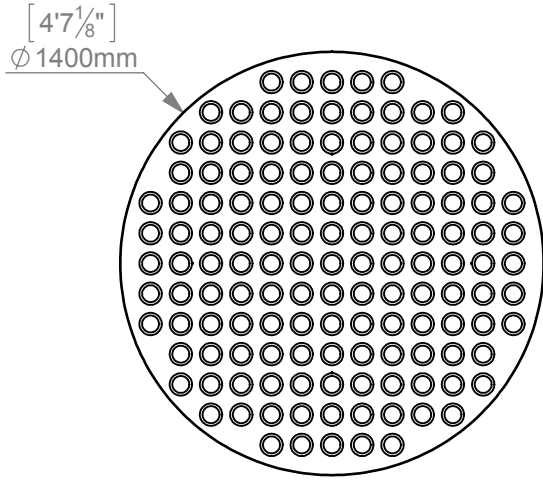
<u>PRODUCT</u>		Trumpets finish	<u>FINISH</u>
		classic white	<b>00</b>
		black nickel	<b>01</b>
		brass	<b>02</b>
		chrome	<b>03</b>
<u>MODEL</u>		Overall height of the fixture	<u>SIZE</u>
I-Rain 18 Oleds	<b>018</b>	850mm / 2'-9" 1/2"	<b>0S</b>
I-Rain 37 Oleds	<b>037</b>	450mm / 4'-9 1/8"	<b>0M</b>
I-Rain 61 Oleds	<b>061</b>	2000mm / 6'-6 3/4"	<b>0L</b>
I-Rain 137 Oleds	<b>137</b>	3000mm / 9'-10 1/8"	<b>XL</b>

<b>I-RAIN STANDARDS</b>		
Except prior authorization given by ASTRON FIAMM SAFETY, the reproduction, distribution and utilization of this document as well as the communication of its contents is strictly prohibited and offenders will be liable for payment of damage. All rights reserved in the event of grant of a patent, utility model or design. (Protective note of ISO 16016)	Rev: A Date: 13/02/2017 Author: M.PERRISSEL	Sheet <b>1/4</b>
CAD system & version <b>SOLIDWORKS 2011 SP 1.0</b>	Rev 01 Janv 2010	

# SIZE SELECTION CHART

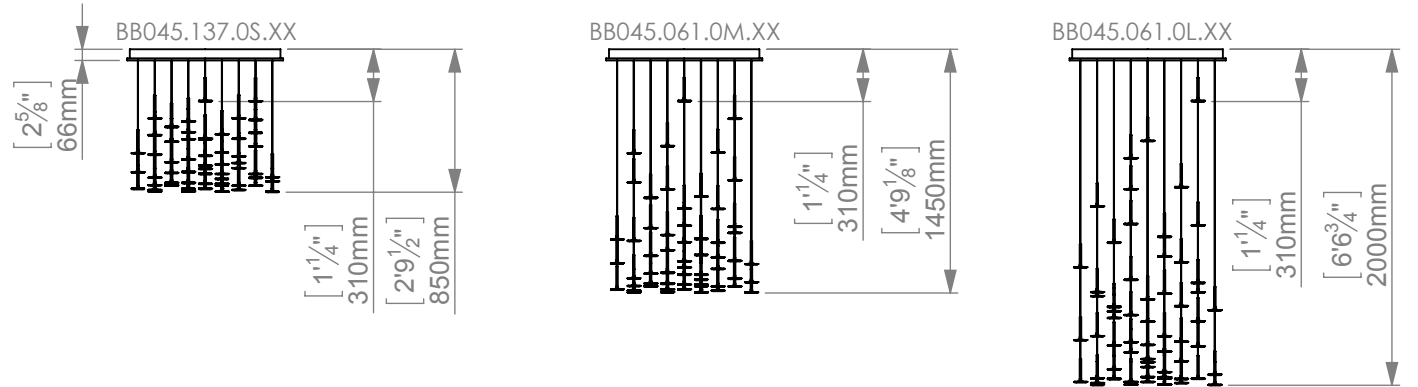
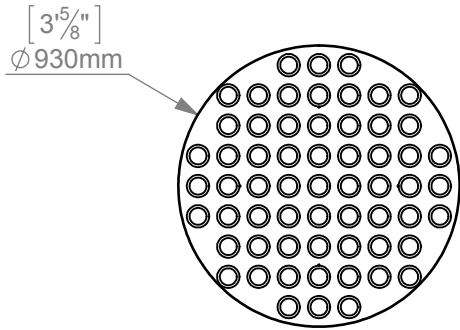
BB045.137.XX.XX  
 Power consumption: 105W  
 Weight : 99 lbs / 45 kg  
 Luminous flux: 3288 lm

## I-Rain 137



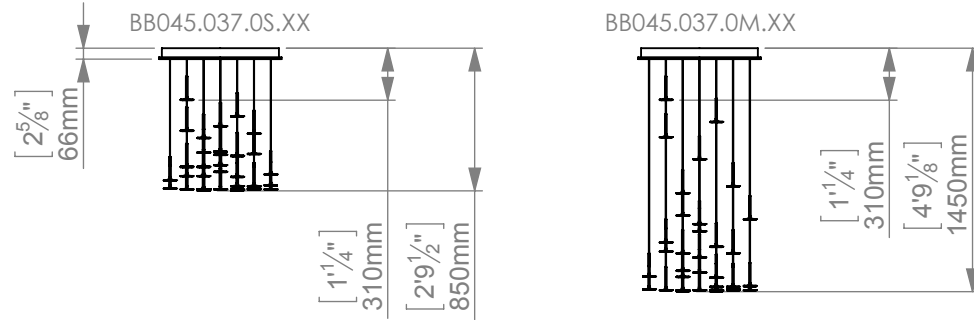
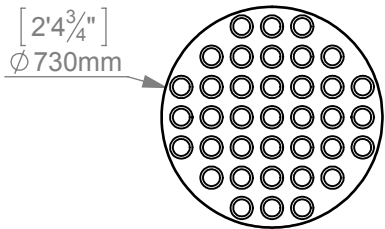
BB045.061.XX.XX  
 Power consumption: 48W  
 Weight : 51 lbs / 23 kg  
 Luminous flux: 1464 lm

## I-Rain 61



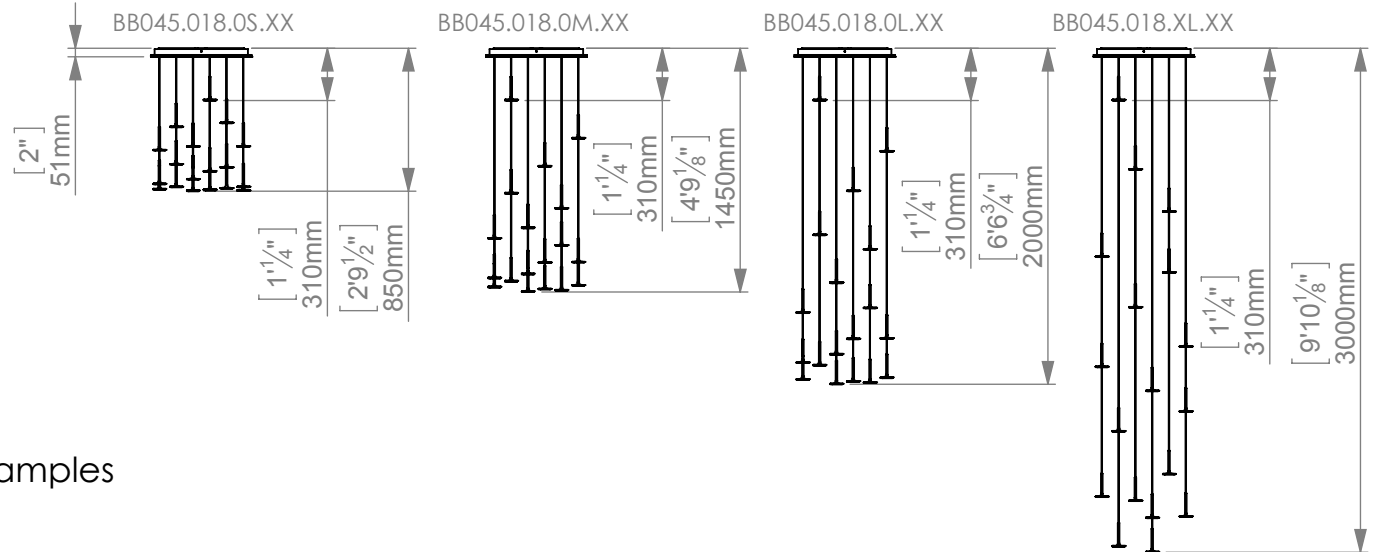
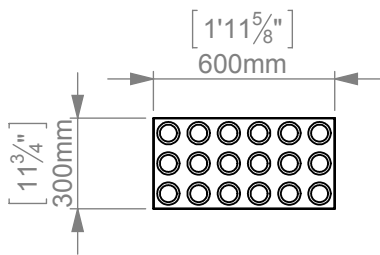
BB045.037.XX.XX  
 Power consumption: 28W  
 Weight : 33 lbs / 15 kg  
 Luminous flux: 888 lm

## I-Rain 37

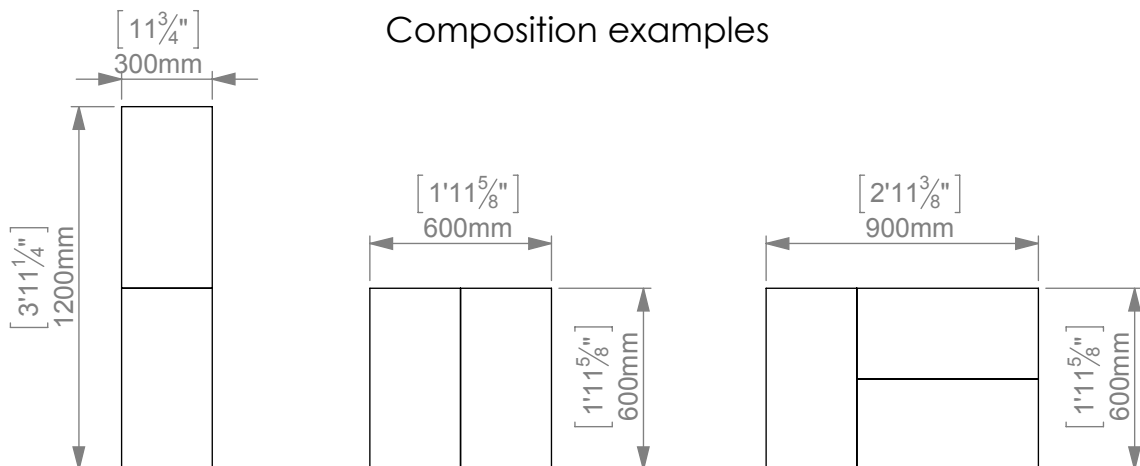


BB045.018.XX.XX  
 Power consumption: 15W  
 Weight : 15,4 lbs / 7 kg  
 Luminous flux: 432 lm

## I-Rain 18



Composition examples



### I-RAIN STANDARDS

Except prior authorization given by ASTRON FIAMM SAFETY, the reproduction, distribution and utilization of this document as well as the communication of its contents is strictly prohibited and offenders will be liable for payment of damage. All rights reserved in the event of grant of a patent, utility model or design. (Protective note of ISO 16016)

Rev: A  
 Date: 13/02/2017  
 Author: M.PERRISSEL

Sheet  
 2/4

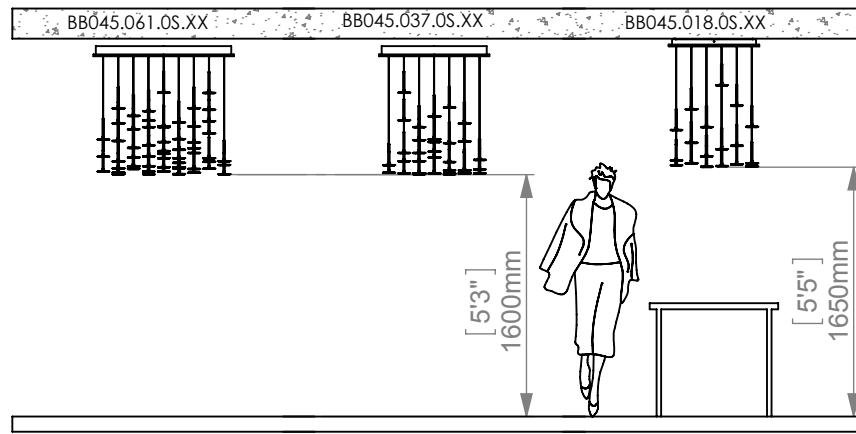
CAD system & version  
 SOLIDWORKS 2011 SP 1.0

Rev 01  
 Janv 2010

# HEIGHT SELECTION CHART (1/2)

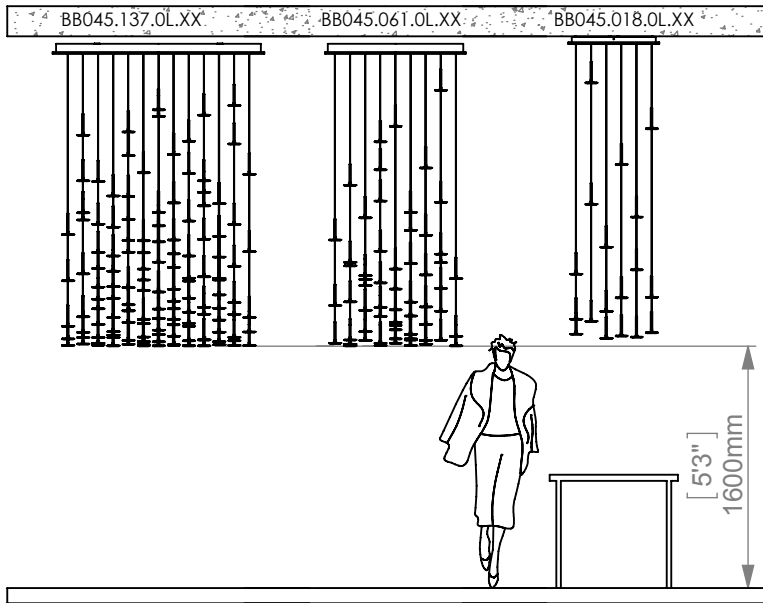
FOR CEILING HEIGHT  
2500mm [8'-2 7/16"]

I-Rain H=850mm [2'-9 1/2"]

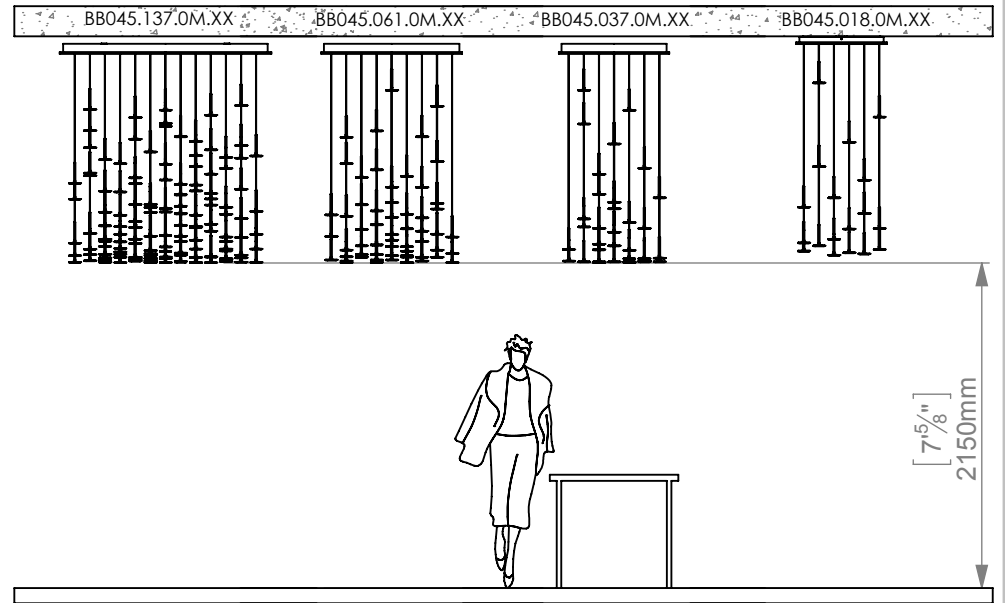


FOR CEILING HEIGHT  
3650mm [12']

I-Rain H= 2000mm [6'-6 3/4"]

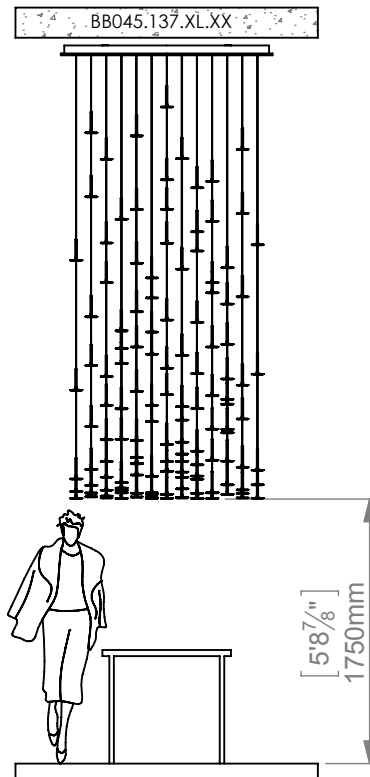


I-Rain H=1450mm [4'-9 1/2"]



FOR CEILING HEIGHT  
4800mm [15'-9"]

I-Rain H=3000mm [9'-10 1/8"]



## I-RAIN STANDARDS

Except prior authorization given by ASTRON FIAMM SAFETY, the reproduction, distribution and utilization of this document as well as the communication of its contents is strictly prohibited and offenders will be liable for payment of damage. All rights reserved in the event of grant of a patent, utility model or design. (Protective note of ISO 16016)

Rev: A  
Date: 13/02/2017  
Author: M.PERRISSEL

Sheet  
3/4

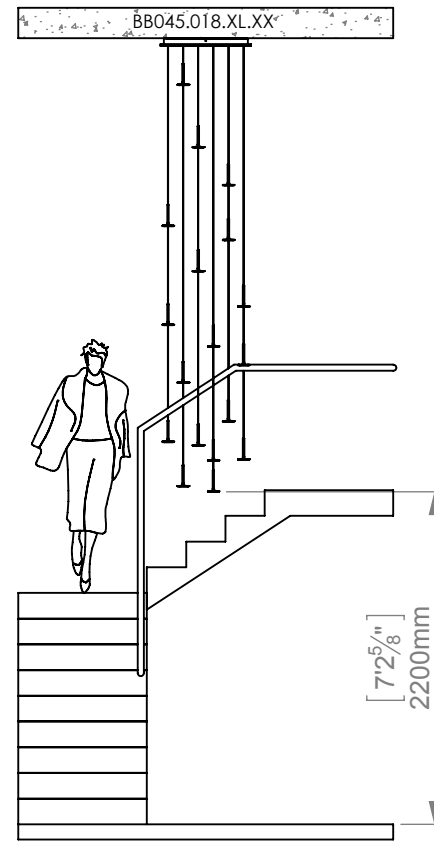
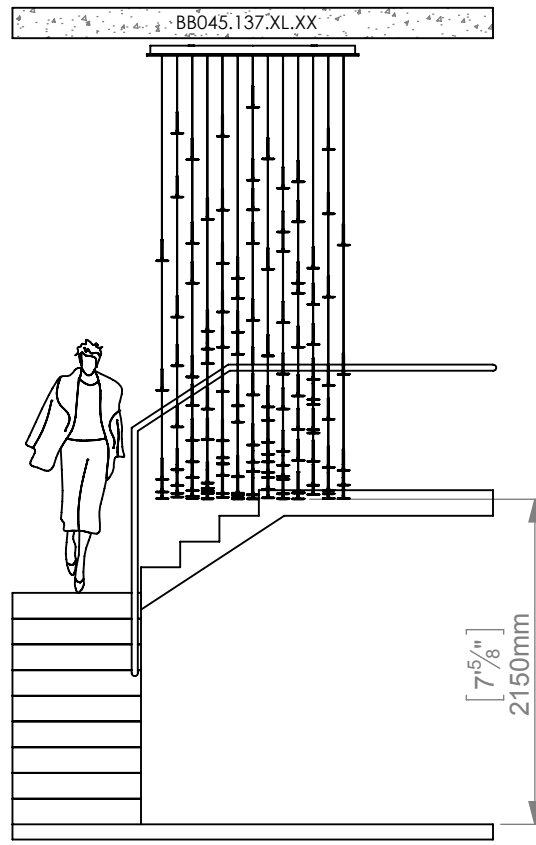
CAD system & version  
SOLIDWORKS 2011 SP 1.0

Rev 01  
Janv 2010

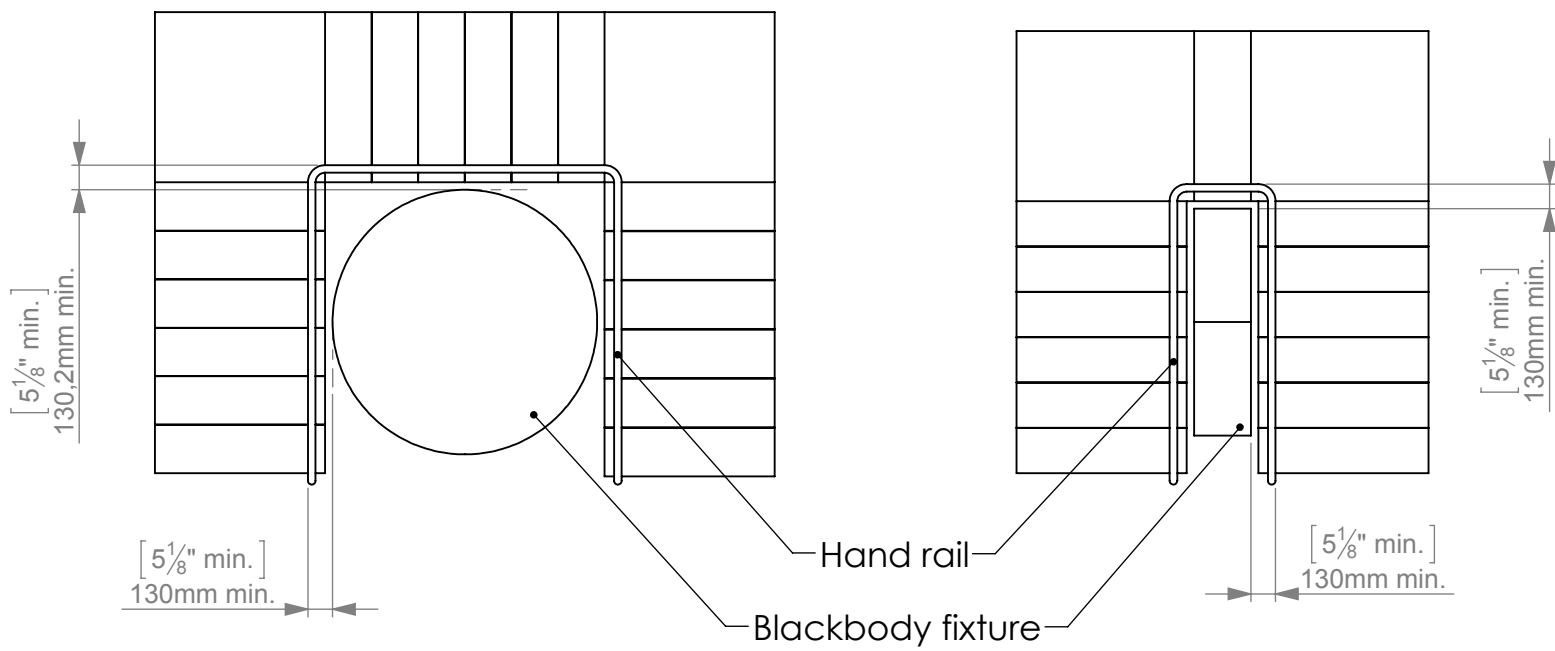
# HEIGHT SELECTION CHART (2/2)

FOR CEILING HEIGHT 5200mm [17-3/4"]  
AND 1 FLOOR STAIRS

I-Rain H=3000mm [9'-10 1/8"]



FOR STAIRCASE  
Blackbody suggest to keep a clearance between guard-rail and the closest oled in order to avoid interference



## I-RAIN STANDARDS

Except prior authorization given by ASTRON FIAMM SAFETY, the reproduction, distribution and utilization of this document as well as the communication of its contents is strictly prohibited and offenders will be liable for payment of damage. All rights reserved in the event of grant of a patent, utility model or design. (Protective note of ISO 16016)

Rev: A  
Date: 13/02/2017  
Author: M.PERRISSEL

Sheet  
4/4

CAD system & version  
SOLIDWORKS 2011 SP 1.0

Rev 01  
Janv 2010