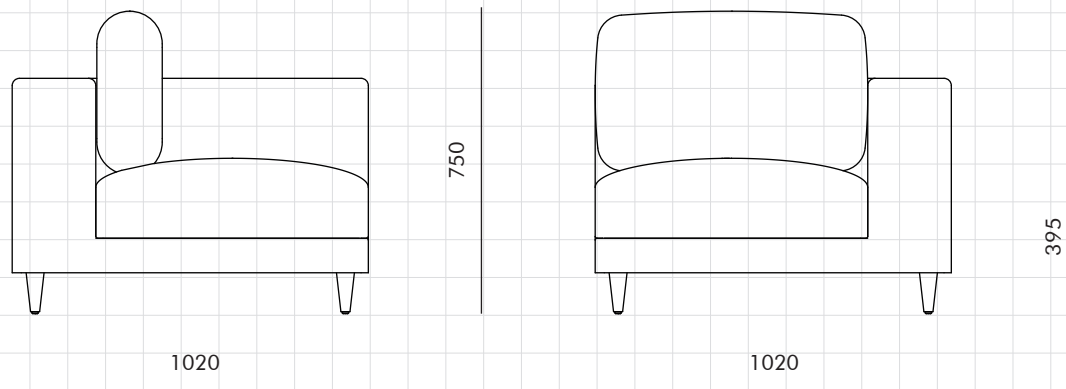


Atelier Small Corner-Leg



**CODE**  
**DIMENSIONS**

AT-S451  
W1020 x D1020 x H750mm  
Seating height: 395mm

**NET WEIGHT**  
**ENVIRONMENT**  
**MATERIALS**

30.0 kg  
Indoor  
Solid wood and plywood frame, upholstery  
\*Please refer to website or contact your local representative for complete material swatches.

**SHIPPING**

<b>Package</b>	Assembled		
<b>Package Qty</b>	1 pcs/box		
<b>Packaging</b>	<b>Measurement (mm)</b>	<b>Volume (cbm)</b>	<b>Gross Weight (kg)</b>
<b>FCL</b>	W1085 x D1085 x H695	0.82	37.92
<b>LCL/AIR</b>	W1105 x D1105 x H790	0.96	52.11