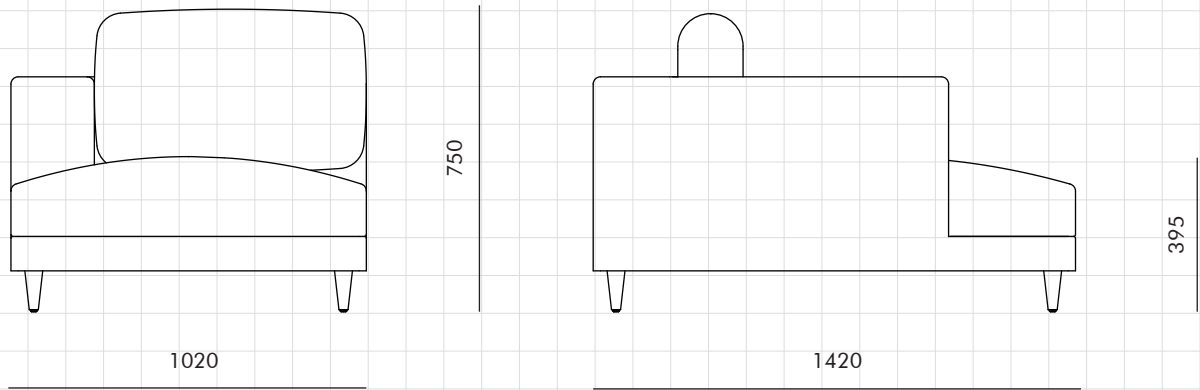


Atelier Small Chaise Lounge L-Leg



CODE

AT-S461-L

DIMENSIONS

W1020 x D1420 x H750mm

Seating height: 395mm

NET WEIGHT

40.0 kg

ENVIRONMENT

Indoor

MATERIALS

Solid wood and plywood frame, upholstery

*Please refer to website or contact your local representative for complete material swatches.

SHIPPING

Package	Assembled		
Package Qty	1 pcs/box		
Packaging	Measurement (mm)	Volume (cbm)	Gross Weight (kg)
FCL	W1085 x D1485 x H695	1.12	49.70
LCL/AIR	W1105 x D1505 x H790	1.31	69.03