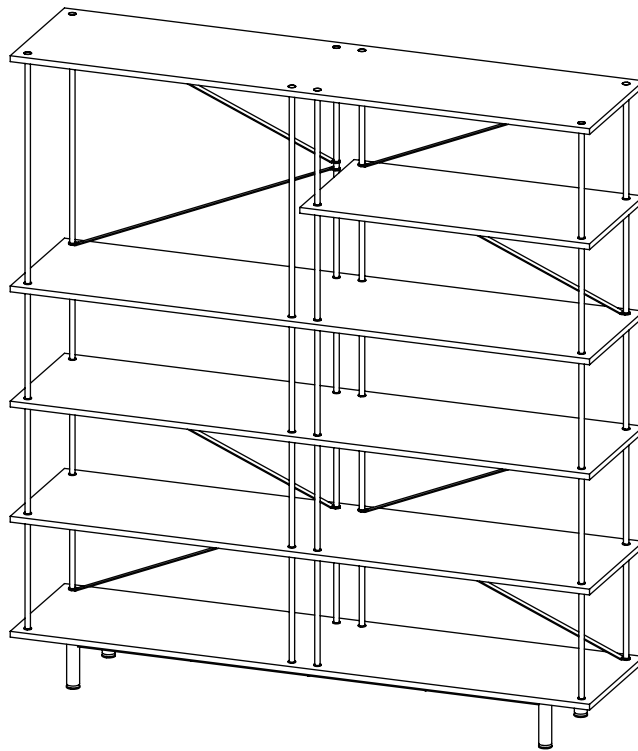




STELLAR WORKS



ASSEMBLY INSTRUCTIONS

SE-SF151-R

SEITON 5-1 RIGHT

SAFETY DISCLAIMER

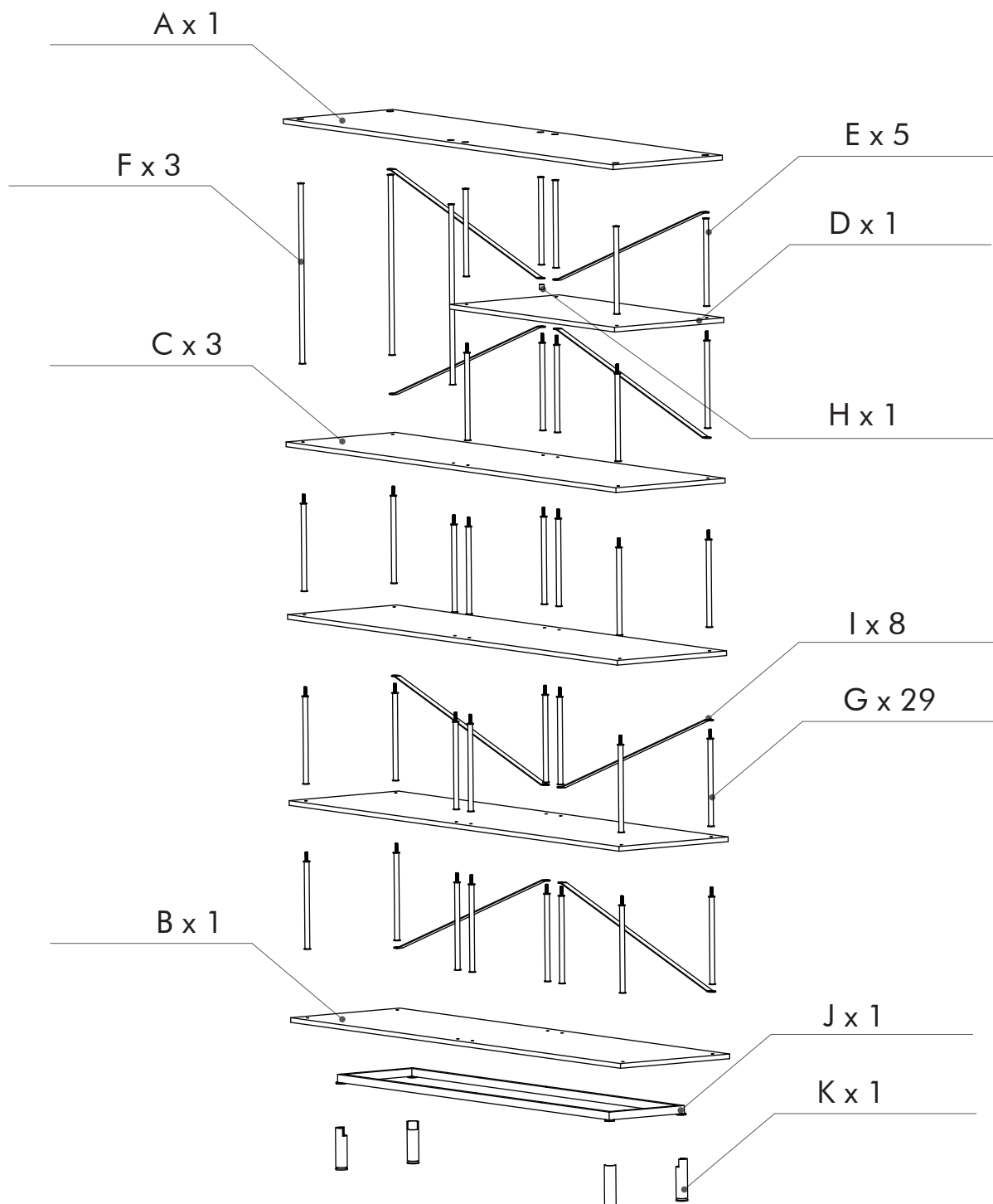
Assembly should be carried out by qualified professionals. Failure to correctly assemble furniture may result in collapsing or toppling, and may cause damage or injury.

All furniture pieces that are designed to lean against the wall must be securely fixed to the wall with the appropriate fixing devices provided. Please identify the type of wall, select the appropriate wall fitting and ensure sufficient holding power before installation. If uncertain, please seek professional advice.

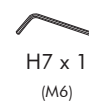
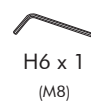
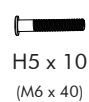
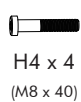
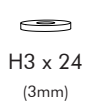
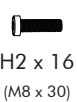
No liability will be accepted for damage or injury caused by inappropriate use or incorrectly installed furniture.

ATTENTION

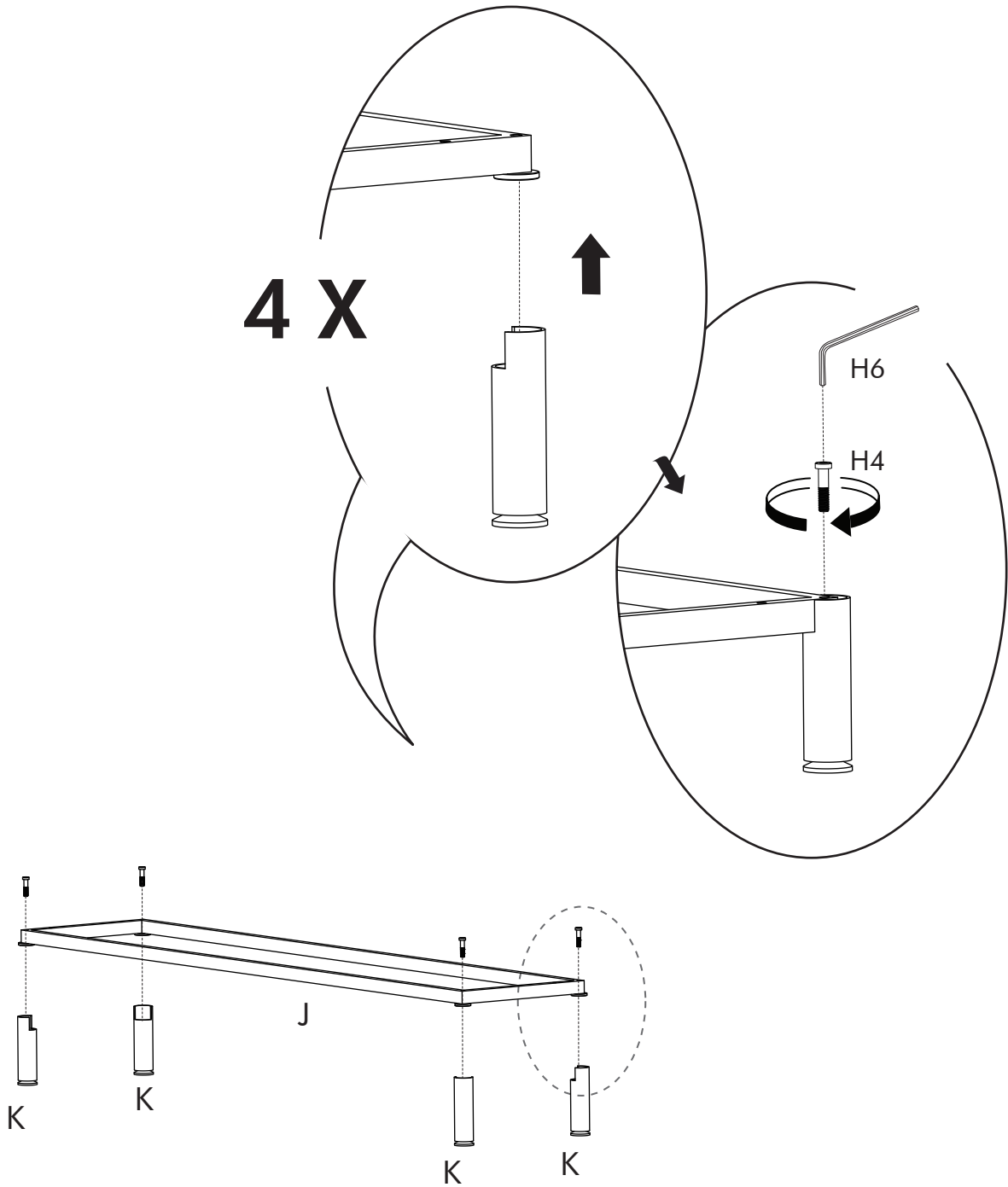
- Identify all components before assembling. If any components are missing, please contact the dealer from whom you bought this product.
- Select an appropriate location.
- Place components on a soft surface to prevent damage during assembly.
- Ensure no components are disposed of when discarding packaging.
- Additional tools / power tools may be needed for installation. Please seek professional advice.
- Periodically check all fixings to ensure none have come loose, and re-tightening when necessary.
- Please keep these instructions for future reference.



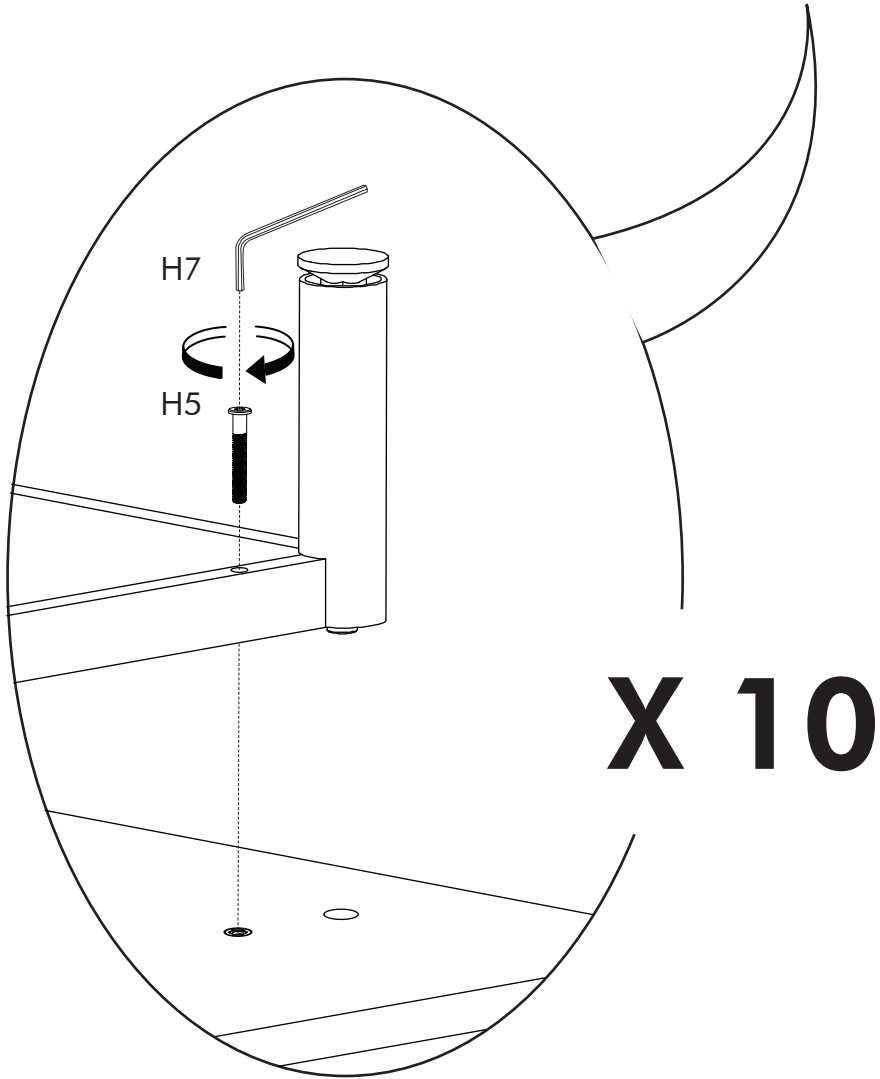
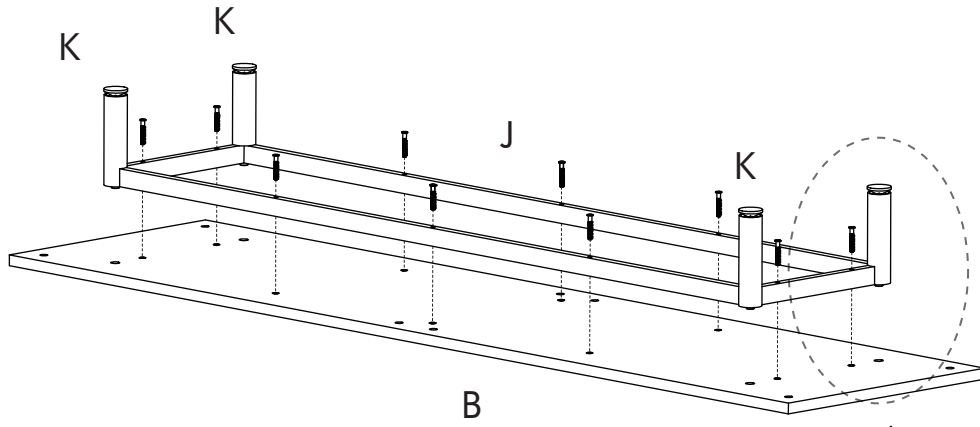
HARDWARE LIST



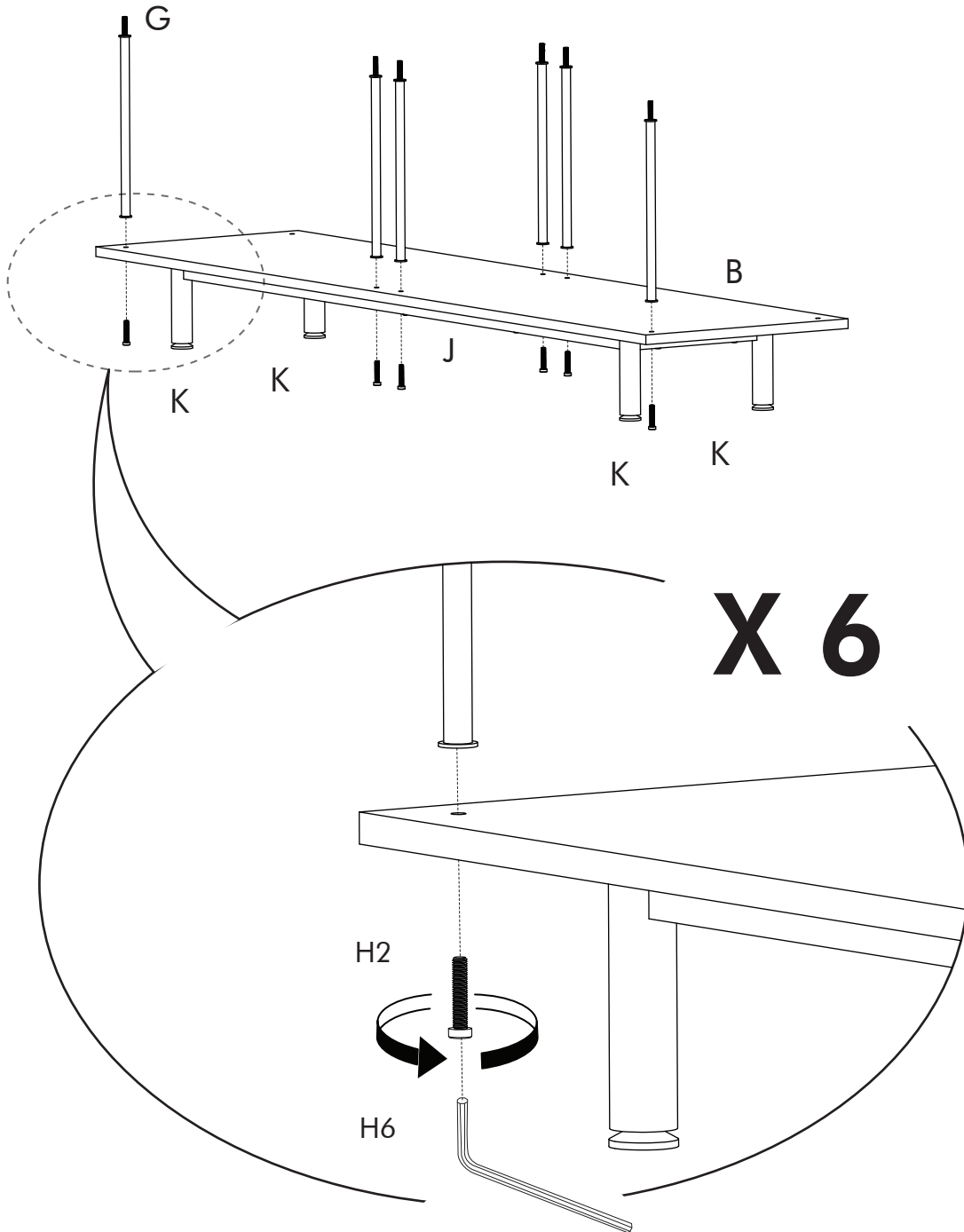
STEP 1



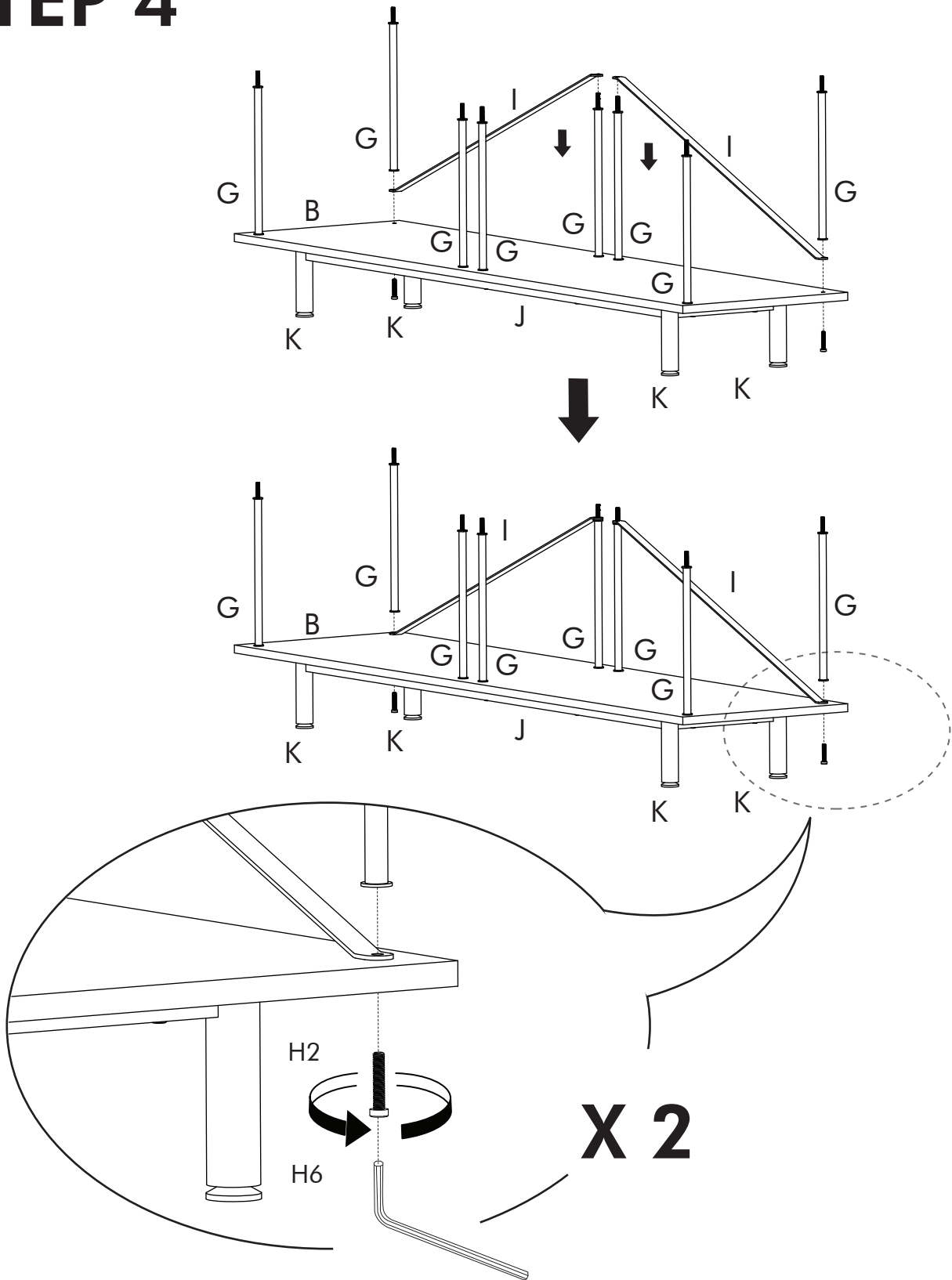
STEP 2



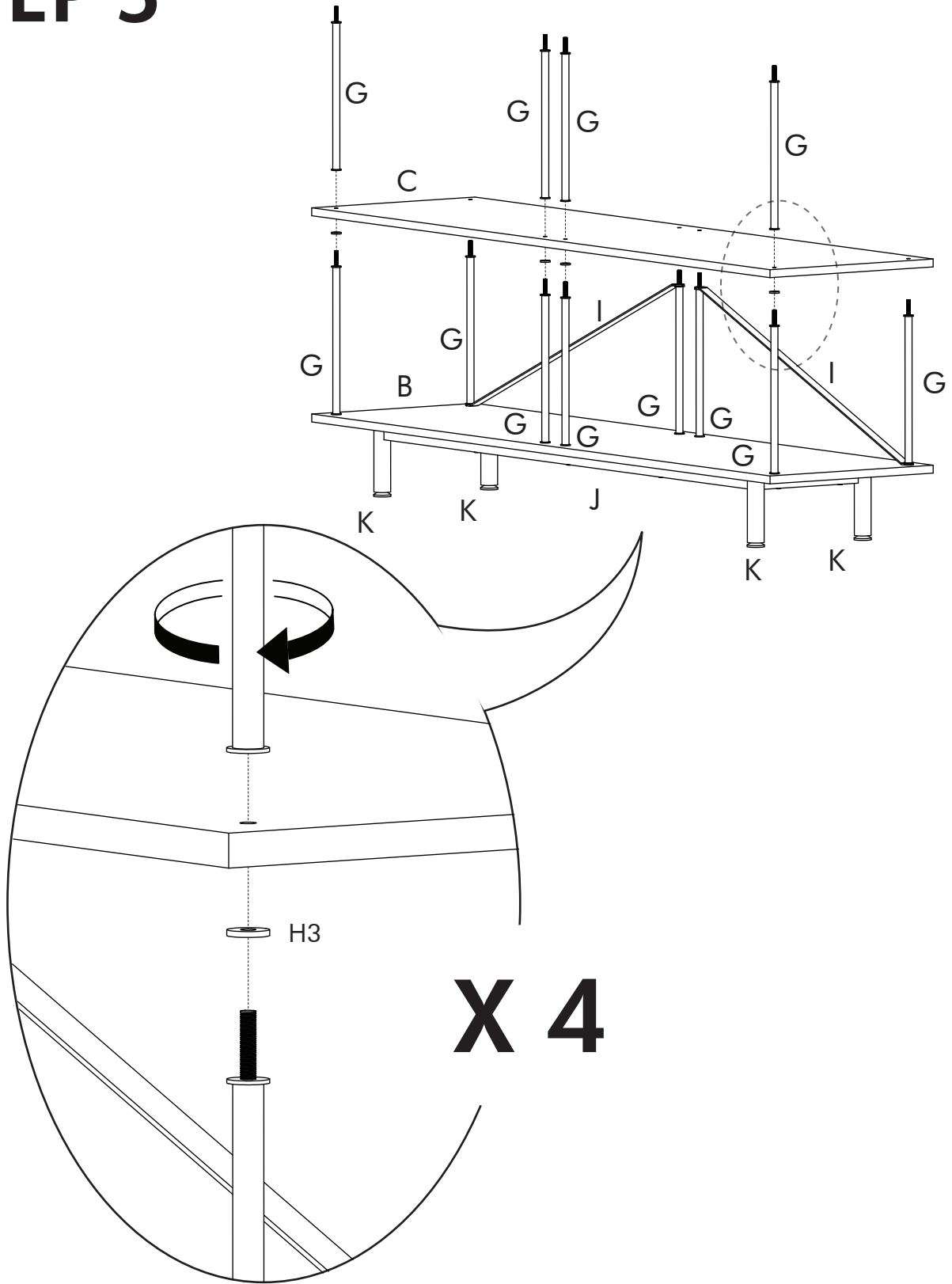
STEP 3



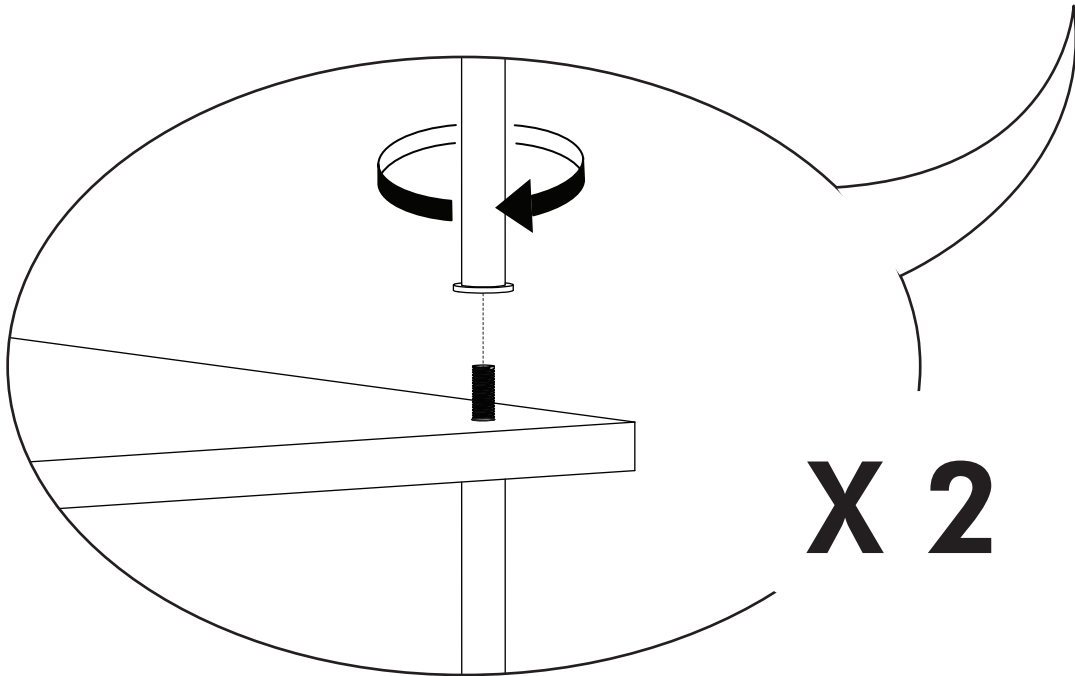
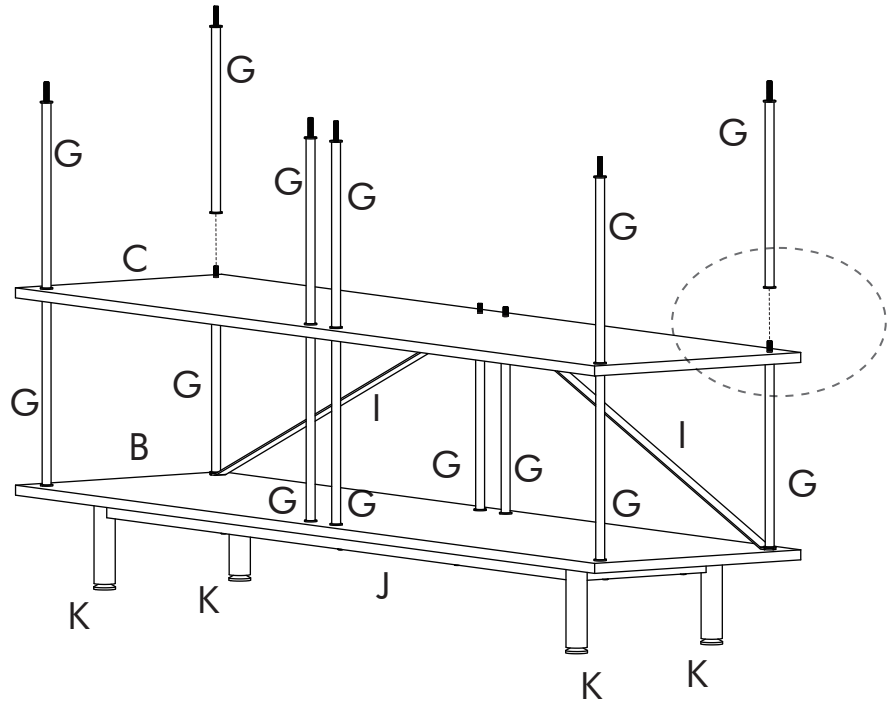
STEP 4



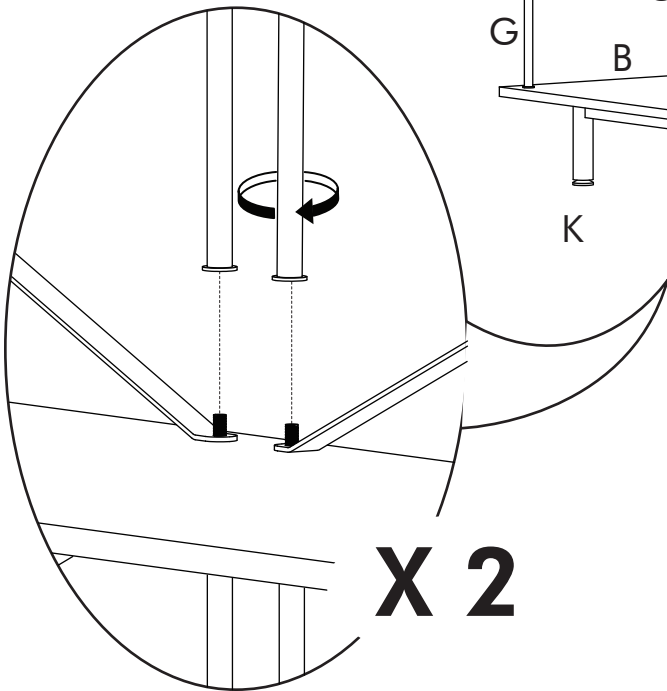
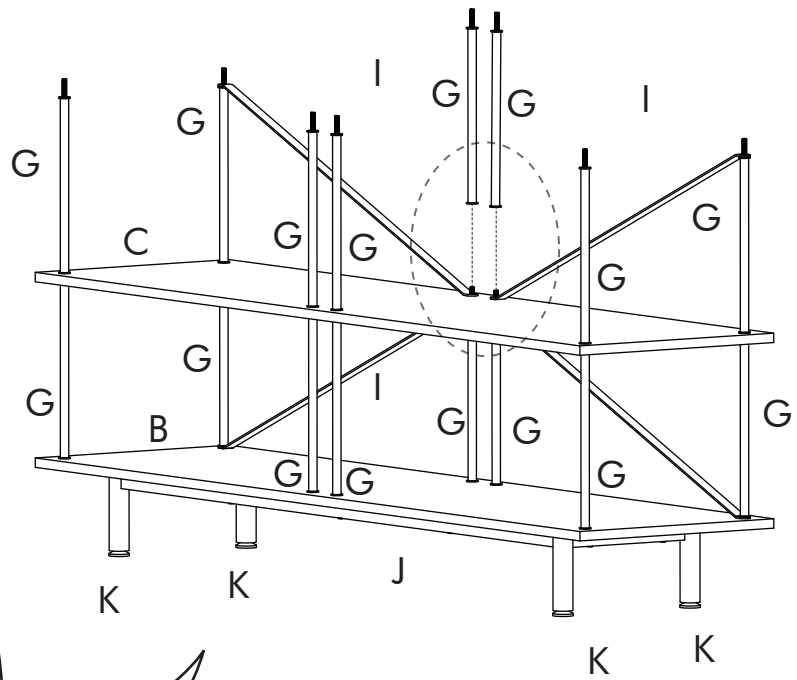
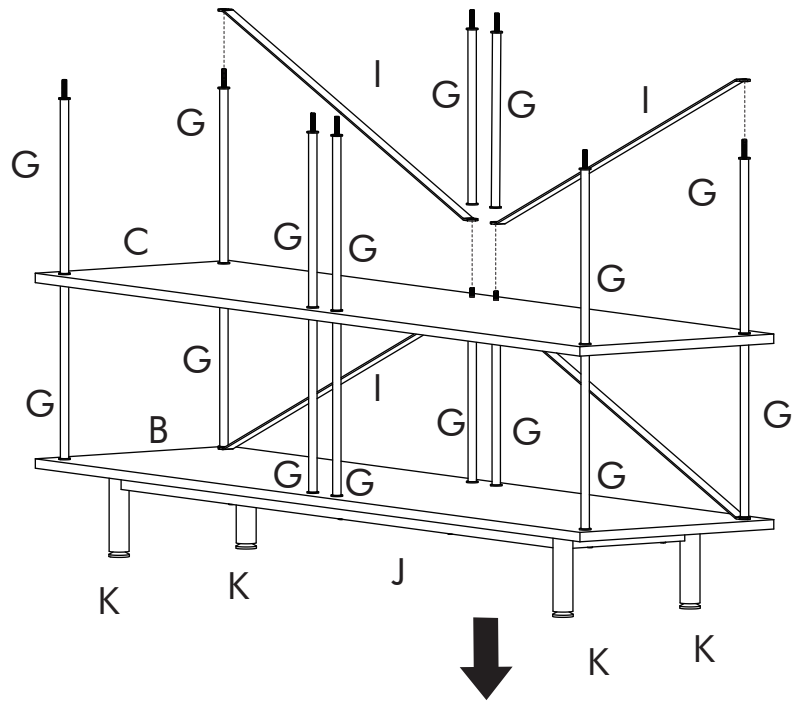
STEP 5



STEP 6

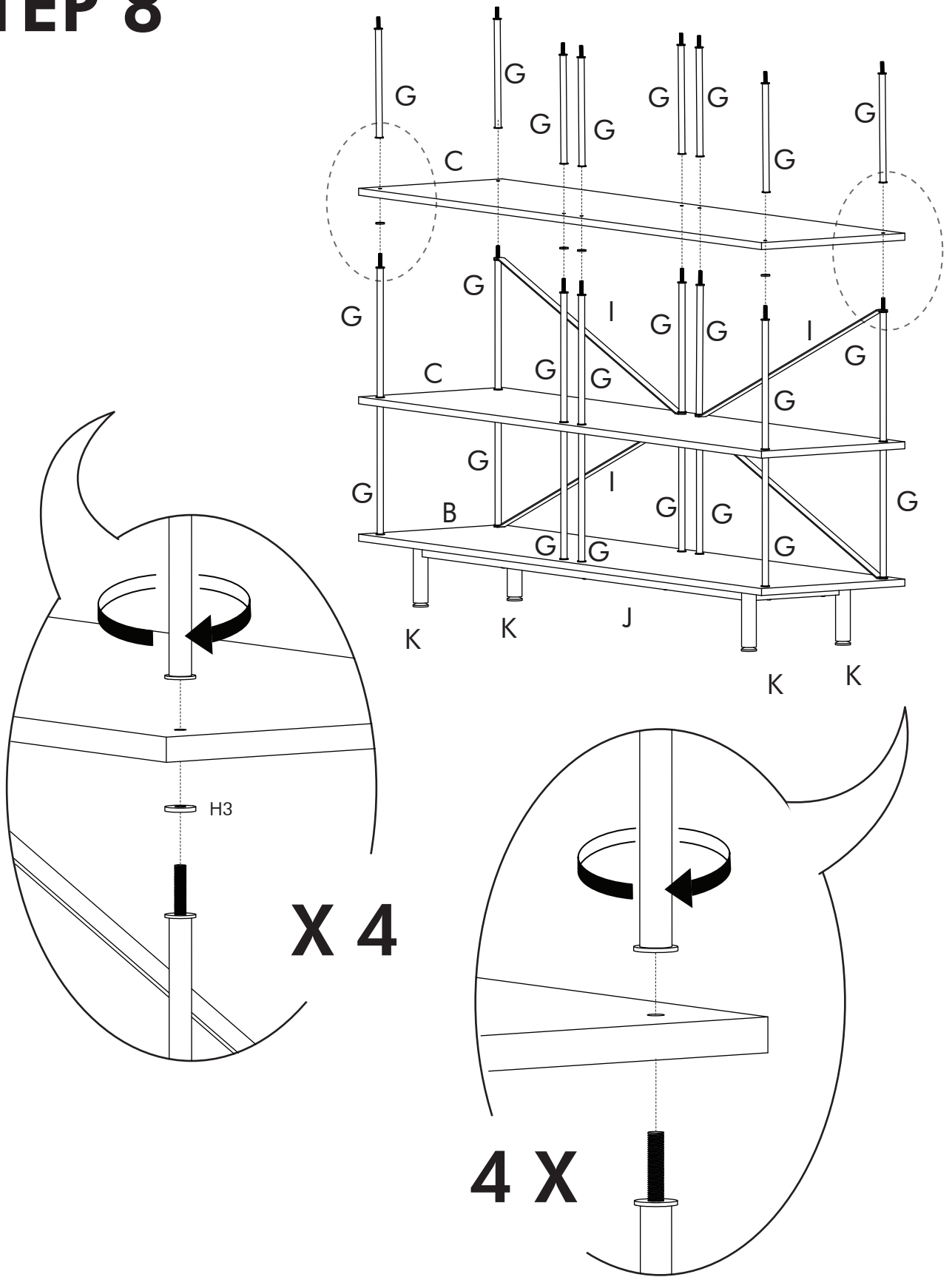


STEP 7

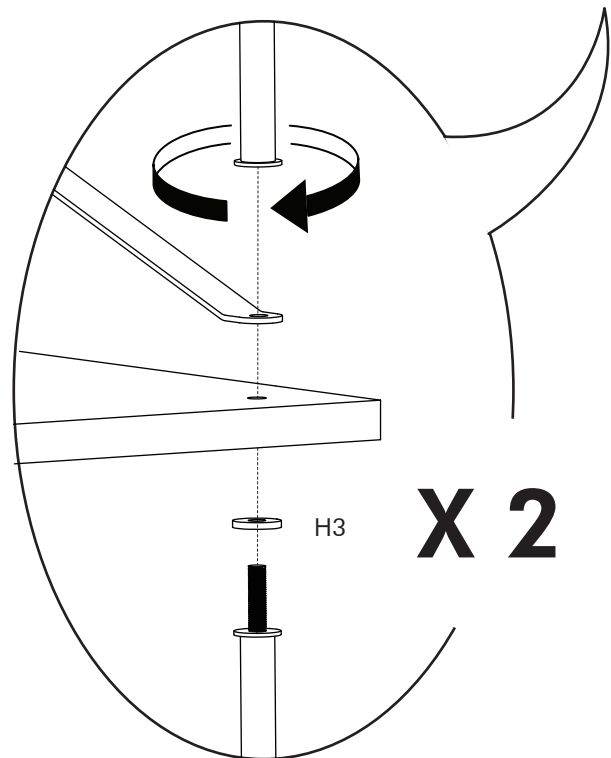
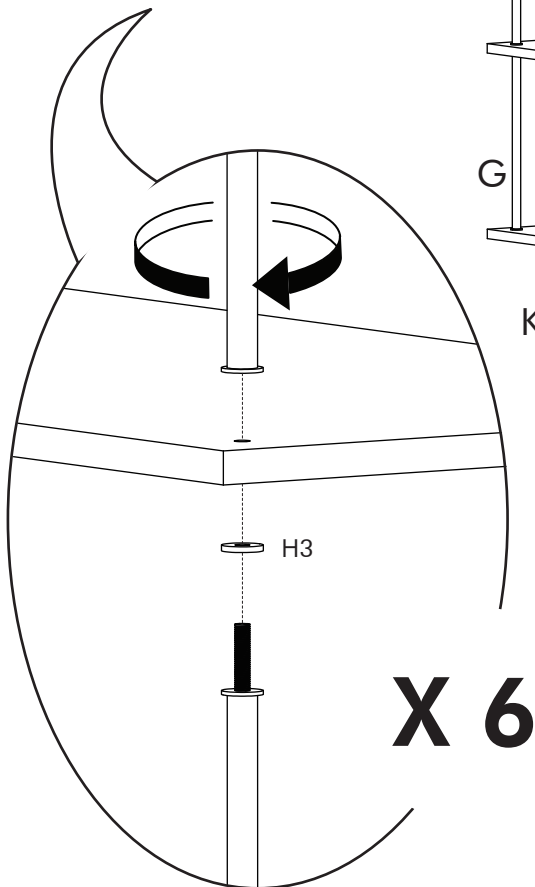
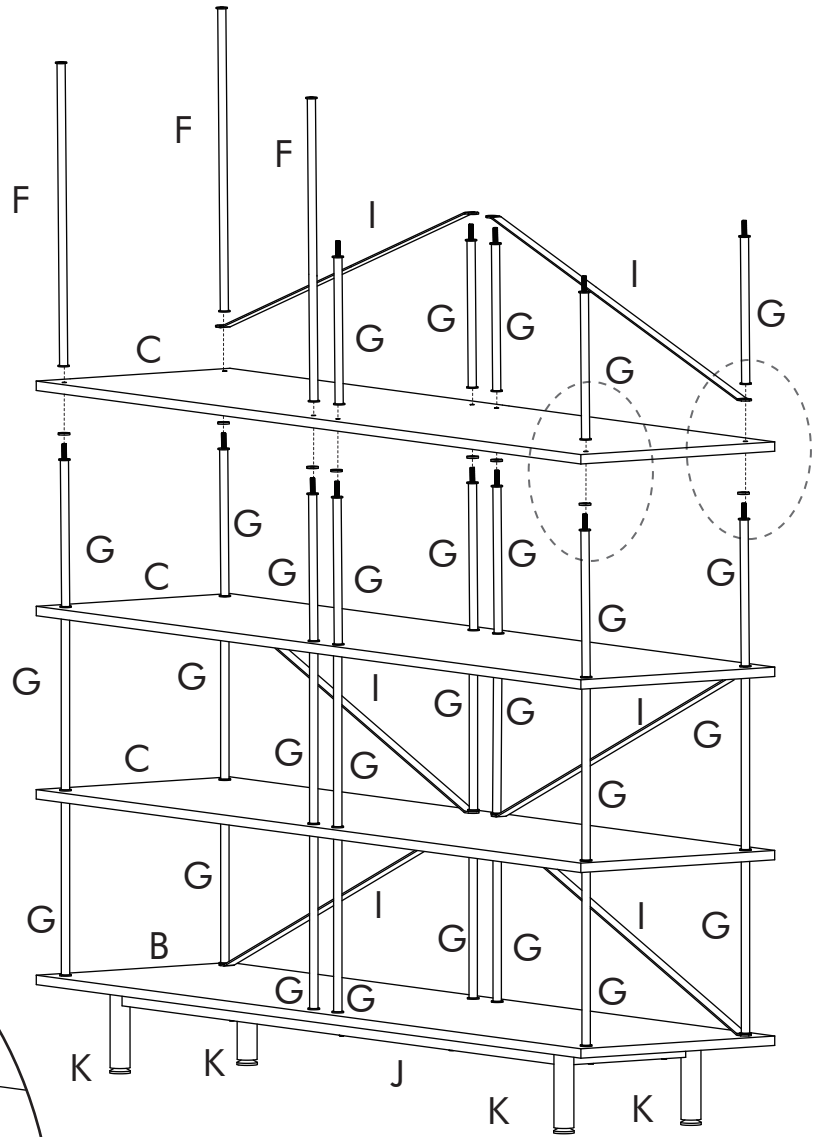


X 2

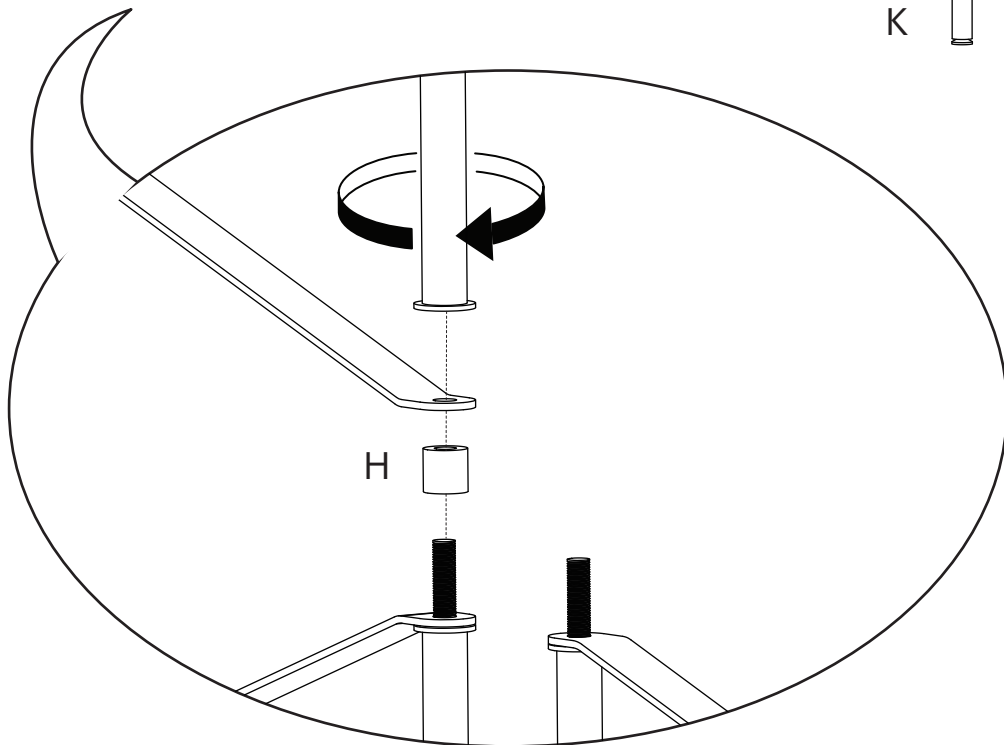
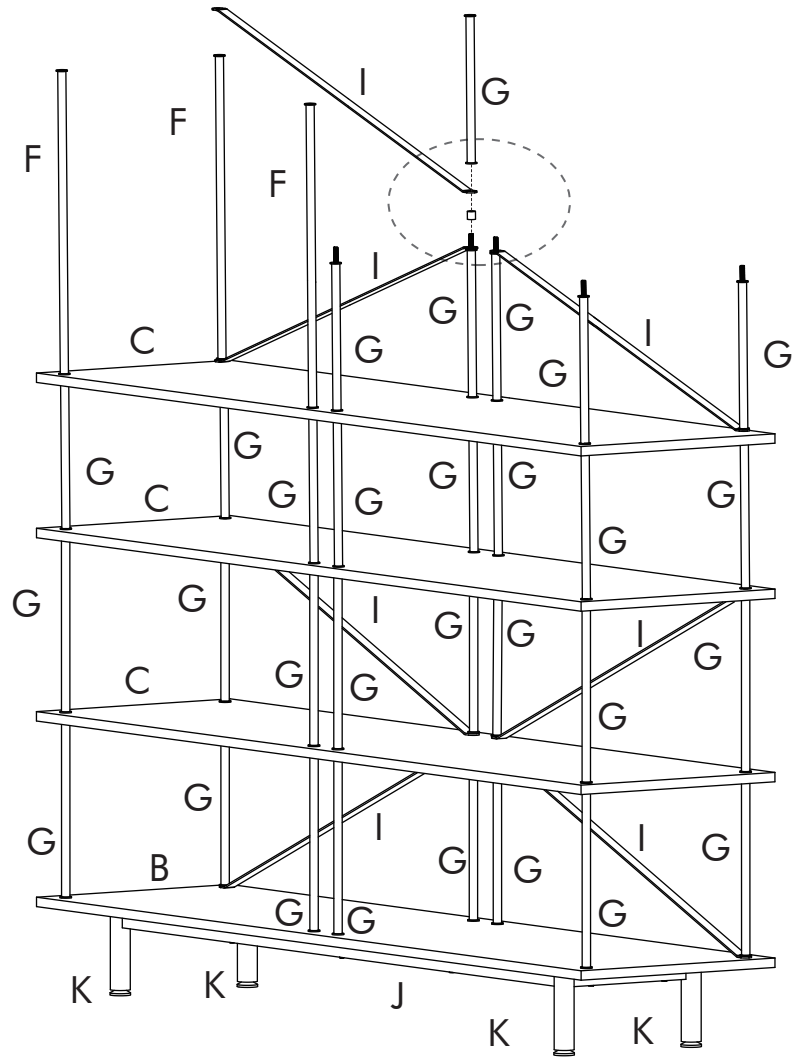
STEP 8



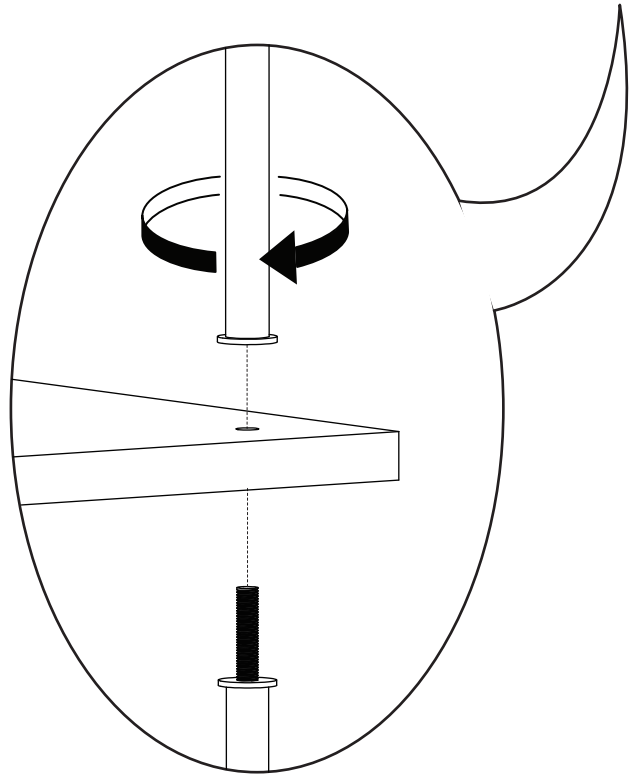
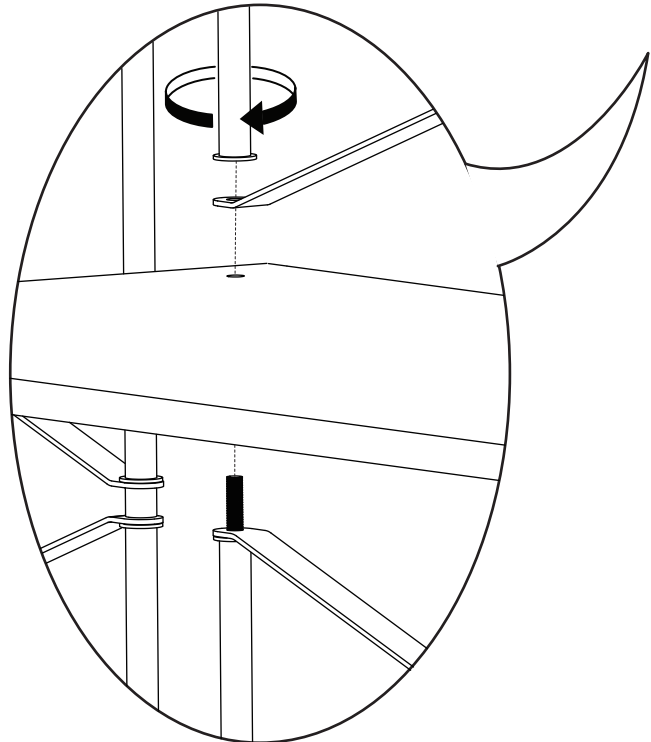
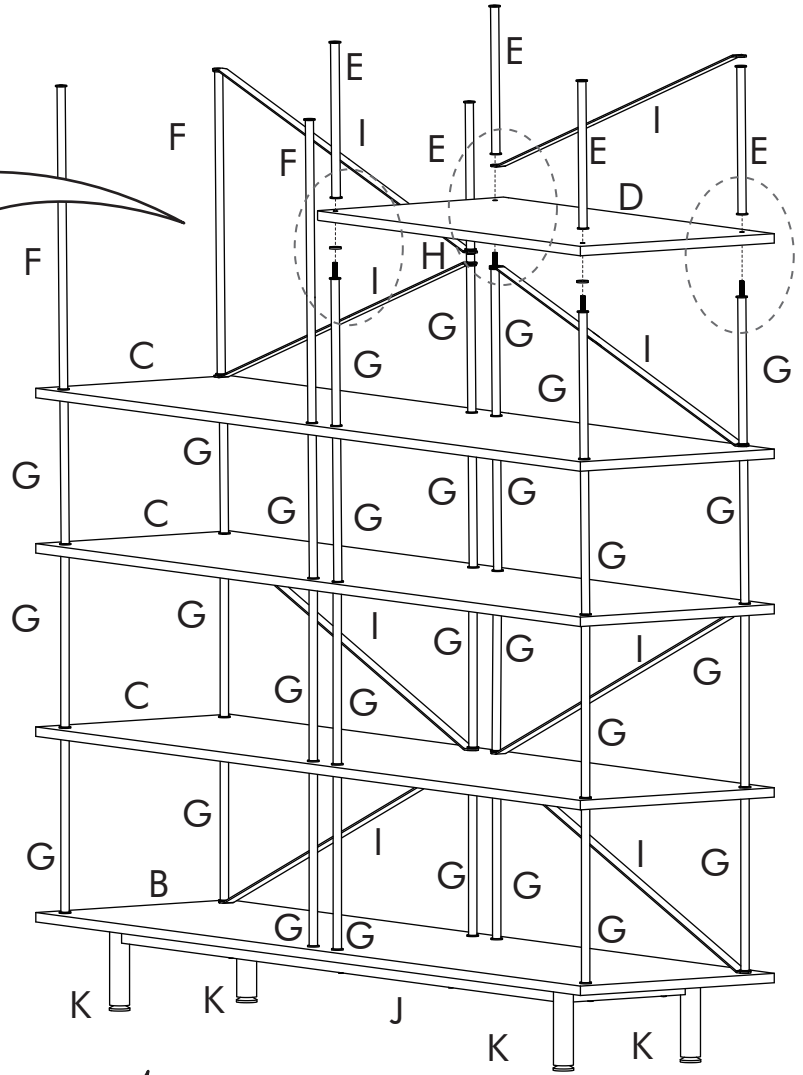
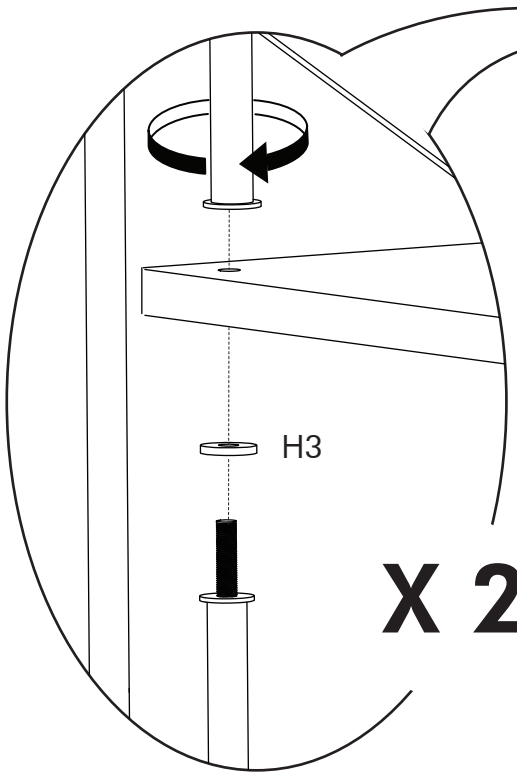
STEP 9



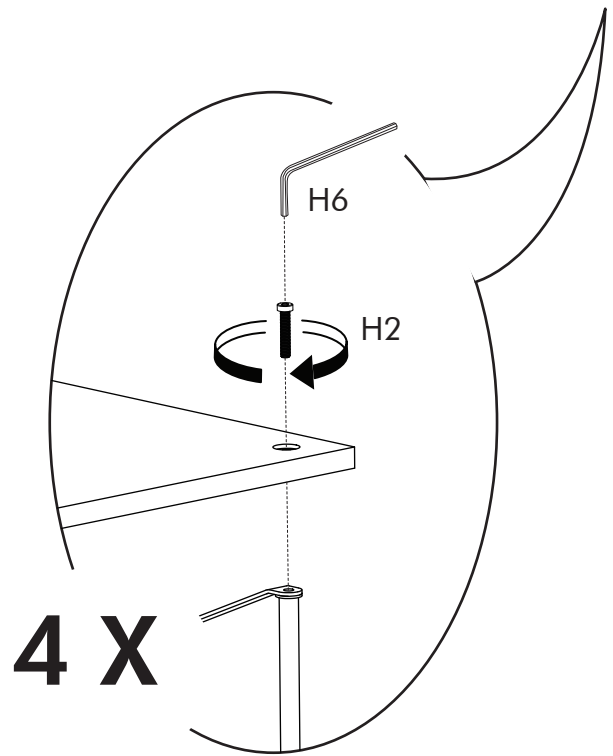
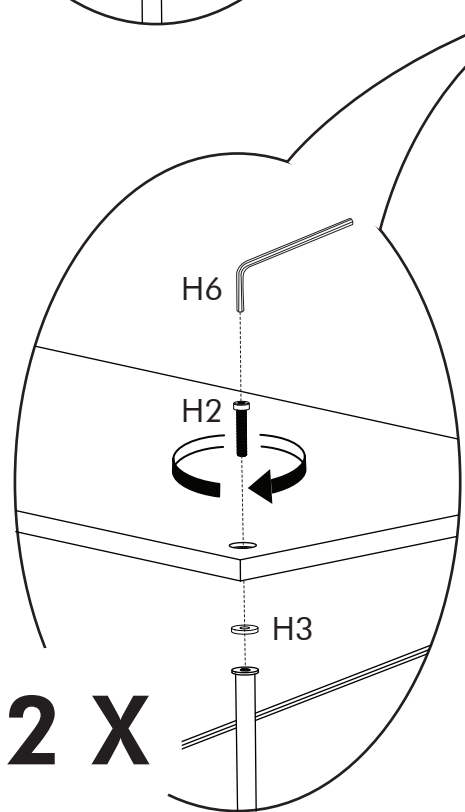
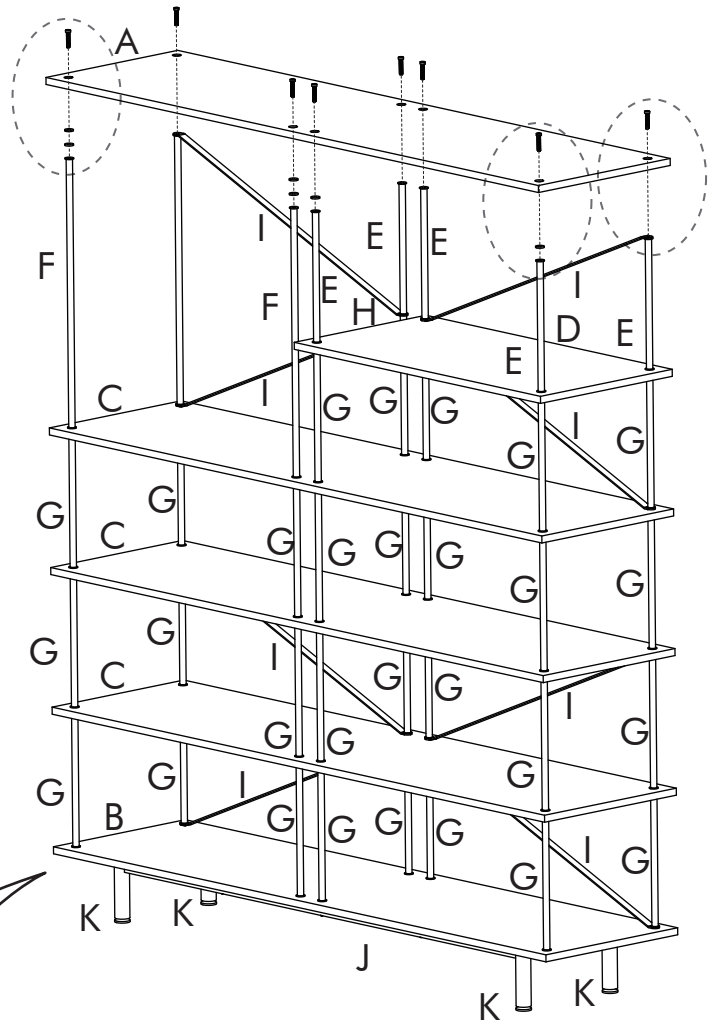
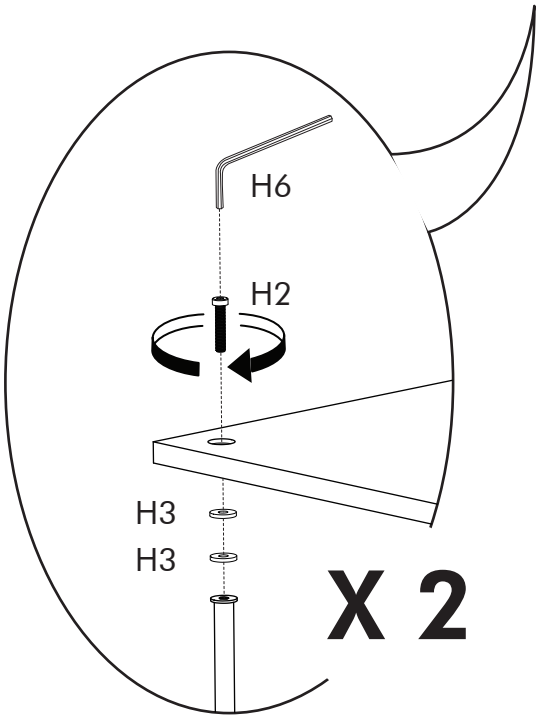
STEP 10



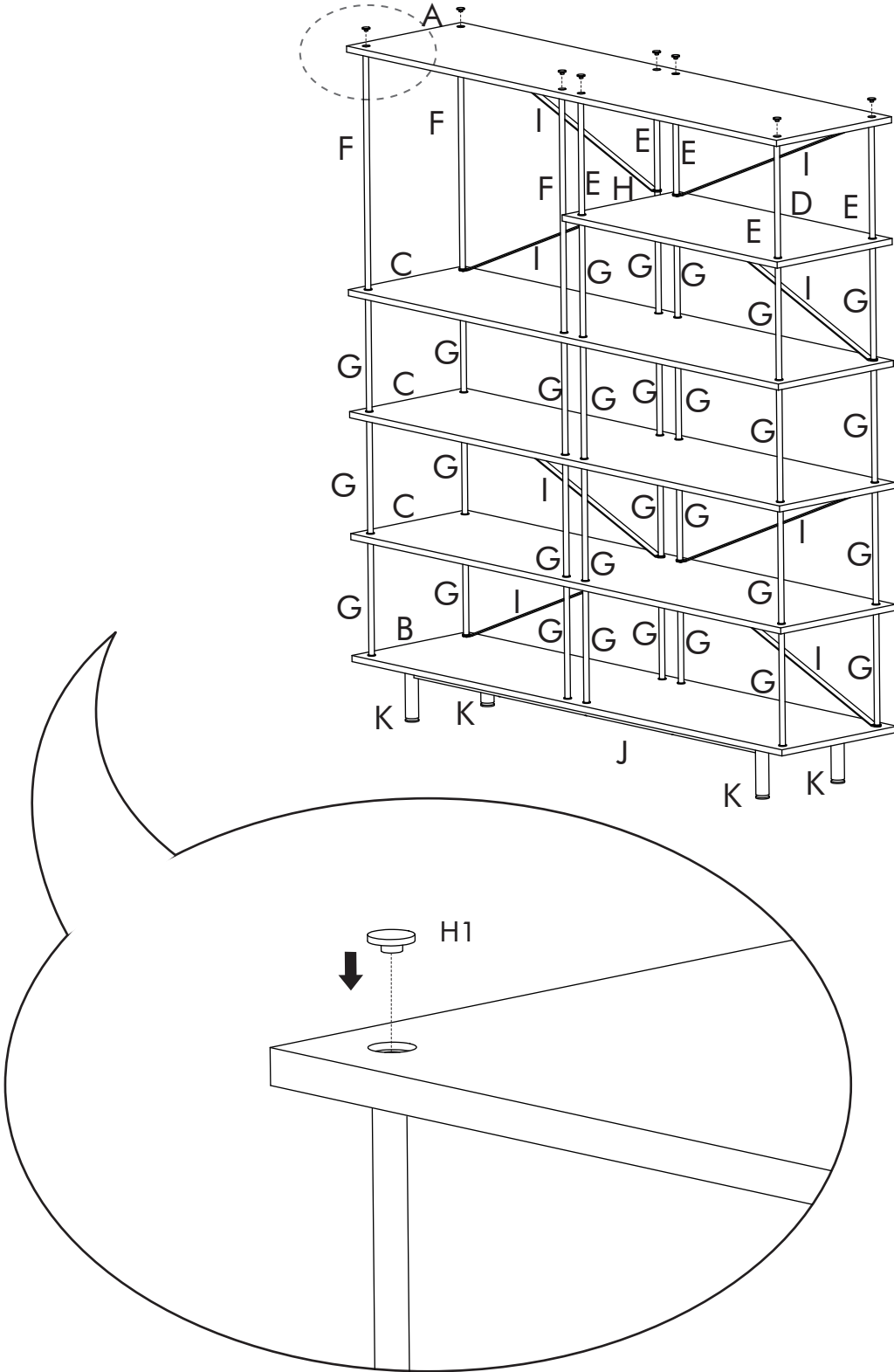
STEP 11

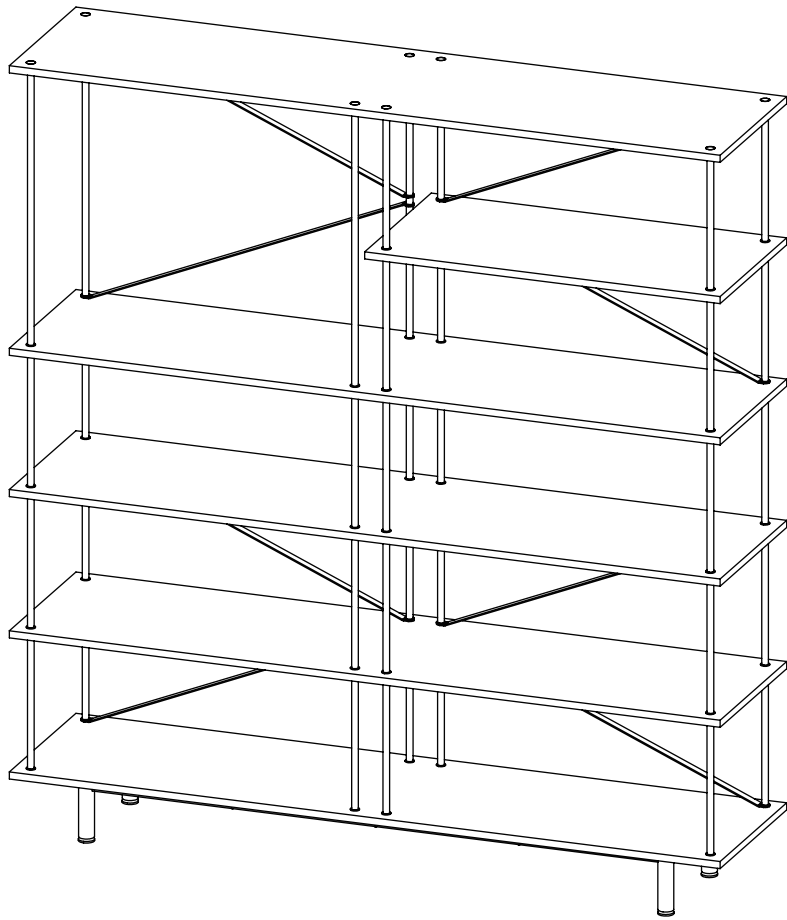


STEP 12



STEP 13





stellarworks.com
info@stellarworks.com