

NEXTGEN TRAYS



Boss Aluminium Pty Ltd
Ph. (03) 9729 3092
sales@bossaluminium.com.au
www.bossaluminium.com.au



M1 TRAY

M-SPEC TEXTURE BLACK POWDER COAT



M-SPEC HEADBOARD
COMPATIBLE WITH 2 OPTIONAL
SPARE WHEEL MOUNTS

FROM
154KG

SINGLE
CAB

FROM
139KG

EXTRA
CAB

FROM
113KG

DUAL
CAB

DOUBLE SKINNED TRAY SIDES

MAXILAMP TAIL LIGHTS

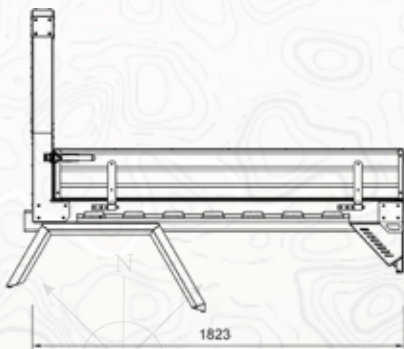
INTEGRATED NUMBER
PLATE BRACKET

ONE-PIECE HEAVY DUTY MUD GUARDS

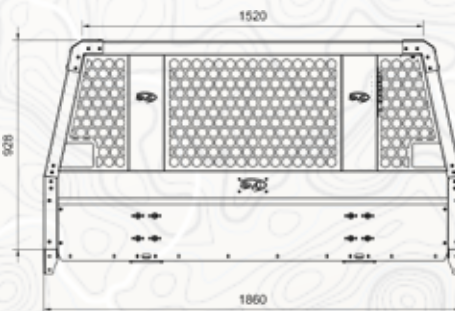
M1 PACKAGE

TRA-M-M1

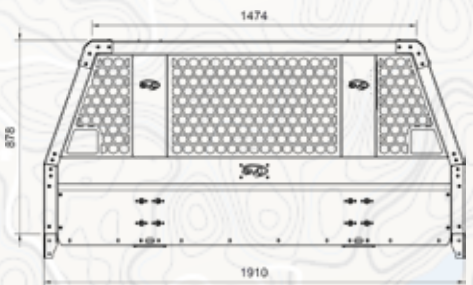
- M-Spec (Modular) Flatbed or Full Tray
- Next Gen Tray Deck Incorporating M12 Nutsert Grid System and Tie-Down Rail
- M-Spec Sheet Metal Headboard with Mesh
- Double Skinned Checker Tray Sides
- Heavy-Duty (HD) One-Piece Mudguards
- Classic Tail Infill with Premium Tail Lights
- M-Spec Texture Black Powder Coating



M1 TRAY



79 SERIES HEADBOARD



STD DUAL CAB HEADBOARD



HEADBOARD INTEGRATED 12V
PLUG MOUNTING



HEAVY-DUTY CAB
PROTECTION



ANTI-RATTLE STAINLESS
LATCHES






PREMIUM TAIL LIGHTS

M2 TRAY

M-SPEC TEXTURE BLACK POWDER COAT

DOUBLE SKINNED TRAY SIDES

		
FROM 176KG	FROM 160KG	FROM 135KG
SINGLE CAB	EXTRA CAB	DUAL CAB



MAXILAMP TAIL LIGHTS

INTEGRATED NUMBER PLATE BRACKET

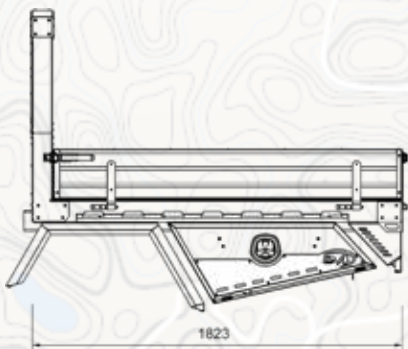
60L UNDER BODY BOXES

ONE-PIECE HEAVY DUTY MUD GUARDS

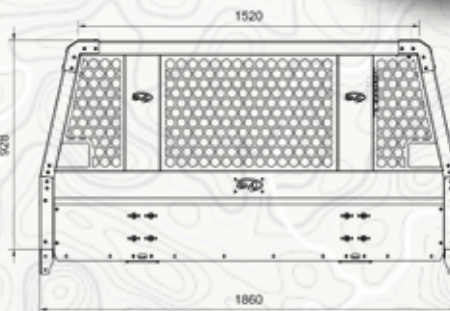
M2 PACKAGE

TRA-M-M2

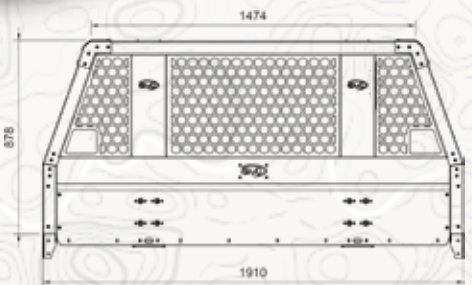
- M-Spec Flatbed or Full Tray
- Next Gen Tray Deck Incorporating M12 Nutsert Grid System and Tie-Down Rail
- M-Spec Sheet Metal Headboard with Mesh
- Double Skinned Checker Tray Sides
- Heavy-Duty One-Piece Mudguards
- Classic Tail Infill with Premium Tail Lights
- M-Spec Rear Under Body Box Pair
- M-Spec Texture Black Powder Coating



M2 TRAY



79 SERIES HEADBOARD



STD DUAL CAB HEADBOARD



FRONT INFILL PANELS



HD FLARED MUD GUARDS



60L UNDER BODY BOX

M3 TRAY

HEADBOARD
INTEGRATED 12V
PLUG MOUNTING

1600L UNDER
TRAY DRAWER



SINGLE
CAB

EXTRA
CAB

DUAL
CAB

MAXILAMP
TAIL LIGHTS

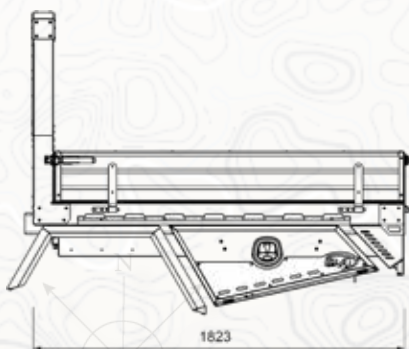
60L UNDER BODY BOXES



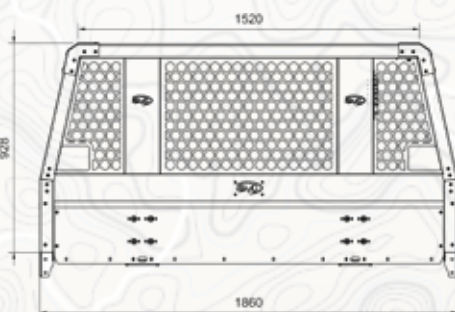
M3 PACKAGE

TRA-M-M4

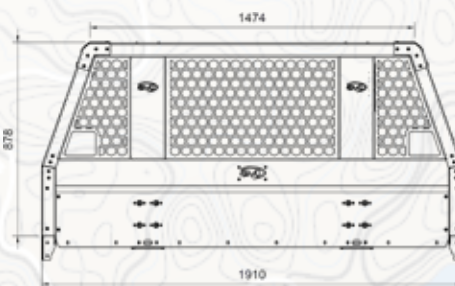
- M-Spec Flatbed or Full Tray
- Next Gen Tray Deck Incorporating M12 Nutsert Grid System and Tie-Down Rail
- M-Spec Sheet Metal Headboard with Mesh
- Double Skinned Checker Tray Sides
- Heavy-Duty One-Piece Mudguards
- Classic Tail Infill with Premium Tail Lights
- M-Spec Rear Under Body Box Pair
- Under Tray Drawer 1600L
- M-Spec Texture Black Powder Coating



M3 TRAY



79 SERIES HEADBOARD



STD DUAL CAB HEADBOARD



M12 IN-DECK TIE POINTS LINED THROUGHOUT TRAY DECK



OPTIONAL REMOVABLE REAR HOOP



1600L LOCK-OUT UNDER TRAY DRAWER WITH REMOVABLE TABLE

M4 TRAY

M-SPEC BLACK POWDER COAT

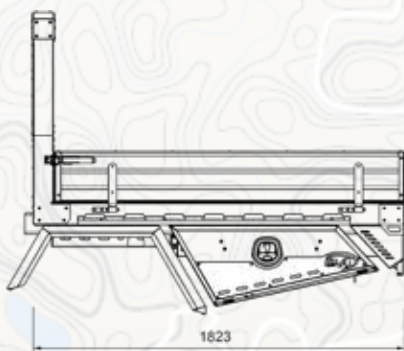


		
FROM 254KG	FROM 211KG	FROM 178KG
SINGLE CAB	EXTRA CAB	DUAL CAB

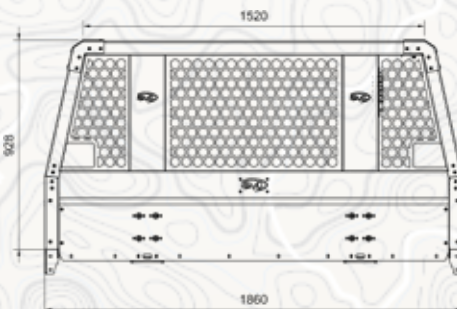
M4 PACKAGE

TRA-M-M4

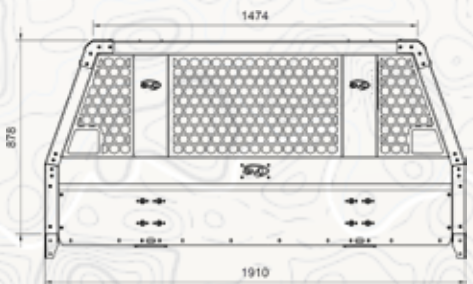
- M-Spec Flatbed or Full Tray
- Next Gen Tray Deck Incorporating M12 Nutsert Grid System and Tie-Down Rail
- M-Spec Sheet Metal Headboard with Mesh
- Double Skinned Checker Tray Sides
- Heavy-Duty One-Piece Mudguards
- Classic Tail Infill with Premium Tail Lights
- M-Spec Rear Underbody Box Pair
- Under Tray Drawer 1000L
- Under Tray Food-Grade Polyurethane 70L Water Tank
- M-Spec Texture Black Powder Coating



M4 TRAY



79 SERIES HEADBOARD



STD DUAL CAB HEADBOARD



HEADBOARD FILL POINT FOR WATER TANK



70L UNDER TRAY WATER TANK



LOCKABLE TAP WITH PUMP SWITCH

FULL TRAY PACKAGES

FEATURES	M1	M2	M3	M4
M-Spec Full Tray	✓	✓	✓	✓
Heavy Duty One Piece Mudguards	✓	✓	✓	✓
Classic Tail Infill	✓	✓	⊗	⊗
Powder Coating	✓	✓	✓	✓
M-Spec Rear Under Body Boxes x 2	○	✓	✓	✓
M-Spec Sheet Metal Headboard	✓	✓	✓	✓
Full Tray Sides	✓	✓	✓	✓
Rear Under Tray Drawer 1600mm	○	○	✓	⊗
Rear Under Tray Drawer Shortened	○	○	○	✓
Under Tray 70L Water Tank	○	○	⊗	✓
40L Headboard Water Tank	○	○	○	○
12v Water Pump	○	○	⊗	○
Rear Hoop - Removable	○	○	○	○
Headboard Spare Wheel Mount/s	○	○	○	○
Front Under Body Boxes	○	○	○	○
Colour Code 2-Pac UTD & UBB Doors	○	○	○	○
UBB & UTD Central Locking	⊗	○	○	○
LED Reverse Lights	○	○	○	○
Removal/Shorten Tray Sides To Suit Canopy/ Toolbox	○	○	○	○

⊗	Not Available
○	Optional Extra
✓	Included

FLATBED TRAY PACKAGES

FEATURES	M1	M2	M3	M4
M-Spec Flatbed Tray	✓	✓	✓	✓
Heavy Duty One Piece Mudguards	✓	✓	✓	✓
Classic Tail Infill	✓	✓	✓	✓
Powder Coating	✓	✓	✓	✓
M-Spec Rear Under Body Boxes x 2	○	✓	✓	✓
M-Spec Sheet Metal Headboard	⊗	⊗	⊗	⊗
Shortened Double Skinned Tray Sides to Suit Canopy & Toolboxes	○	○	○	○
Rear Under Tray Drawer 1600mm	○	○	✓	⊗
Rear Under Tray Drawer Shortened	○	○	○	✓
Under Tray 70L Water Tank	○	○	⊗	✓
12v Water Pump	○	○	⊗	○
Rear Hoop - Removable	○	○	○	○
Headboard Spare Wheel Mount/s	⊗	⊗	⊗	⊗
Front Under Body Boxes	○	○	○	○
Colour Code 2-Pac UTD & UBB Doors	○	○	○	○
UBB & UTD Central Locking	⊗	○	○	○
LED Reverse Lights	○	○	○	○

⊗	Not Available
○	Optional Extra
✓	Included

M-SPEC TRAY SIZES

DUAL CAB
EXTRA CAB
SINGLE CAB

1800L x 1900W
2100L x 1900W
2500L x 1900W

DUAL CAB - LC 79 SERIES
DUAL CAB - LC 79 SERIES 300MM EXTENSION
SINGLE CAB - LC 79 SERIES

1800L x 1850W
2100L x 1850W
2500L x 1850W



FULL TRAY / FLATBED

Full trays are delivered with Headboard and Tray Sides to enable the most versatile functionality, with or without Canopies or Toolboxes.

Flatbed Trays are delivered without a Headboard and Tray Sides. This reduces tray weight, cost and provides a perfect platform for Canopies or Toolboxes.

NEXT GEN TRAY DECK

Our Next Gen Tray Deck offers a completely revised design in comparison to our design. The new deck offers a seamless aesthetic and new tie rail. Offering a grid of M12 nutserts for ultimate flexibility when tying down, and new, larger under-body boxes with standard one piece mudguards. Overall, enhancing the functionality of our M-Spec Tray range.



TRAY FINISHES

M-Spec Trays come standard in our M-Spec Texture Black powder coat. Non-standard powder coating is available upon request.

For those that are after colour-matching with their vehicle colour, we offer 2Pac paint options to ensure an exact colour match is achieved.

VEHICLE MODIFICATIONS

JMACX AUTHORISED INSTALLER

Boss Aluminium offers a one-stop shop for 79 Series builds. Fitting a wide range of accessories for your vehicle, along with our signature trays and canopies, you can get all the work you need done in one go. From chassis extensions to coil conversions, speak with our team to discuss the best available options for your vehicle.



TRAY TO SUIT 300MM CHASSIS EXTENSION

All 79 Series tray models are available to suit a 300mm Chassis Extension. This tray offers the option of added front under-body boxes to create a storage out of the otherwise unused space. Speak to our team to discuss your tray options for your chassis extension.



PREMIUM TRAY

PREMIUM TRAYS AVAILABLE FOR

LC79 DUAL CAB

LC79 SINGLE CAB

LC79 DUAL CAB W/ 300MM EXTENSION

LC79 SINGLE CAB W/ 300MM EXTENSION

LC200/300, LENGTH EXTENSION DEPENDANT

1800L x 1850W

2400L x 1850W

2000L x 1850W

2800L x 1850W

2000W

RAM 1500, F150, SILVERADO 1500

RAM 2500, RAM 3500

F250, F350, SILVERADO 2500, GMC 2500

1950L x 2000W

2200L x 2000W

2370L x 2000W



The Multi-Function Sheet-Metal Headboard incorporates side and rear work lights, optional 85L Stainless Water Tank.

The Premium Tray comes standard with one-piece flared mud guards & our standard in-house texture black powder coating.

Upgraded 90L under-body boxes, incorporating shelving, leaving room for an air compressor & 9m hose reel (hose reel fitment model dependant).

AMERICAN TRUCKS



Boss Aluminium have vast experience building trays and canopies for American Trucks.

The Boss Premium Tray offers the perfect platform for the American pick-ups to become the perfect work or touring vehicle.

Featuring front and rear under-body boxes and a rear under-tray drawer, the American Premium Tray offers a wide range of storage solutions to suit your needs.

Our design team have ensured that the Premium Tray integrates all factory sensors, sonar and camera to ensure that all systems work as they should.



HEADBOARD INTEGRATED FUEL FILLER

MULTI-FUNCTION SHEET-METAL HEADBOARD AS STANDARD

INTEGRATED FACTORY SENSORS/SONAR/CAMERAS

ADBLUE FILLER

EXTRA LARGE FRONT UNDER-BODY BOXES TO SUIT AMERICAN PICKUP/EXTENDED VEHICLES

TRAY COMPATIBLE WITH FACTORY SPARE TYRE MOUNT





ADVENTURE READY.



Boss Aluminium Pty Ltd
Ph. (03) 9729 3092
sales@bossaluminium.com.au
www.bossaluminium.com.au

