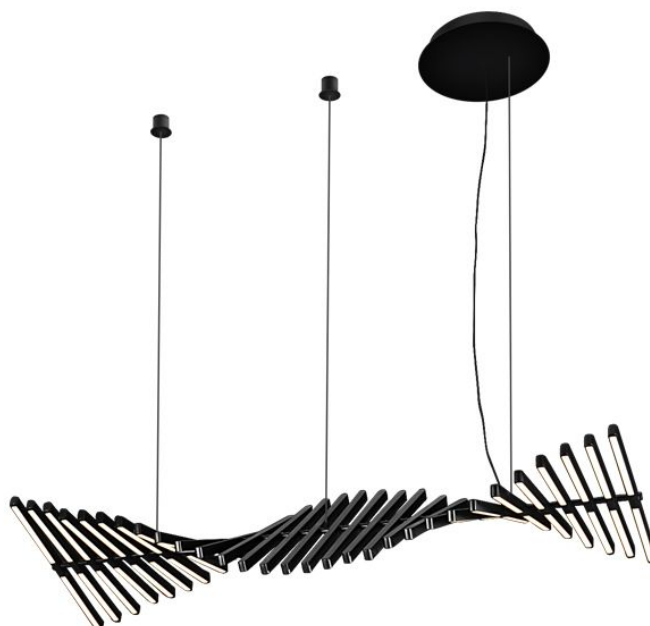


FLUA®



WAVE H S 30 DN



FLUA presents the new concept design for the pendant lights, WAVE series, with 2 options to choose: horizontal and vertical. Vertical range is possible with downwards focused light providing general ambient light effect and up-light, providing indirect illumination. Wave vertical collection is available in several sizes depending on the length and the number of the light sticks. WAVE with its unique minimalist design is the best choice both for living areas and public zones.

Designer	FLUA
Sales status	On Sale
Product classification	Interior
Model	305819DX

WWW.FLUA.COM

Installation information

Area	Ceiling
Method	Suspended
Cut hole size	/
Embedded height	/

Technical general

System power	83W	
Flux	4150lm	
Beam angle	L	
Material	Plastic,Steel	
Appearance color	WBP	
Size	1453*25*472mm	
Adjustable angle	Available	
Ingress protection	IP20	
Input voltage	90-305VAC	50/60Hz
Electrical level	Class I	

Electrical parameters

Driver brand	MEAN WELL
Driver type	LPF-90D-36
Electrical installation	Build in
Dimming mode	1-10V dimming

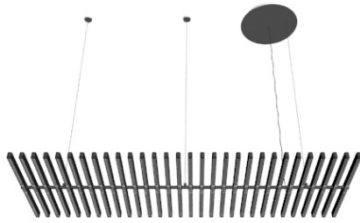
Light source parameters

Brand	HONGLI
Type	2835
Power	74.7W
Light color	WW
Color temperature	3000K
CRI	80

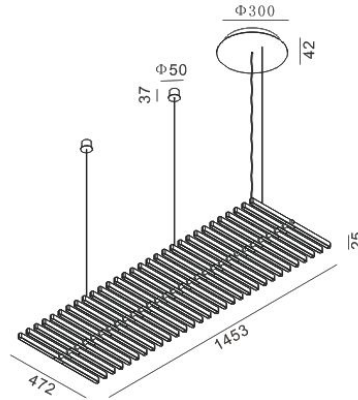
Other options

Beam angle	/
Color temperature	2700K 4000K
Color	/
Appearance color	WWP/WCP

3D module



Line drawing



Unit: mm

Instructions

