

# FLUA®



TONE IN

CCC CE RoHS

---

The unique design of the inner ring makes TONE to be soft and delicate. It can be used as stair lamp also night lamp. There are two kinds of materials: aluminum and stainless steel.

---

Designer	FLUA
Sales status	On Sale
Product classification	Interior
Model	413111A

---

WWW.FLUA.COM

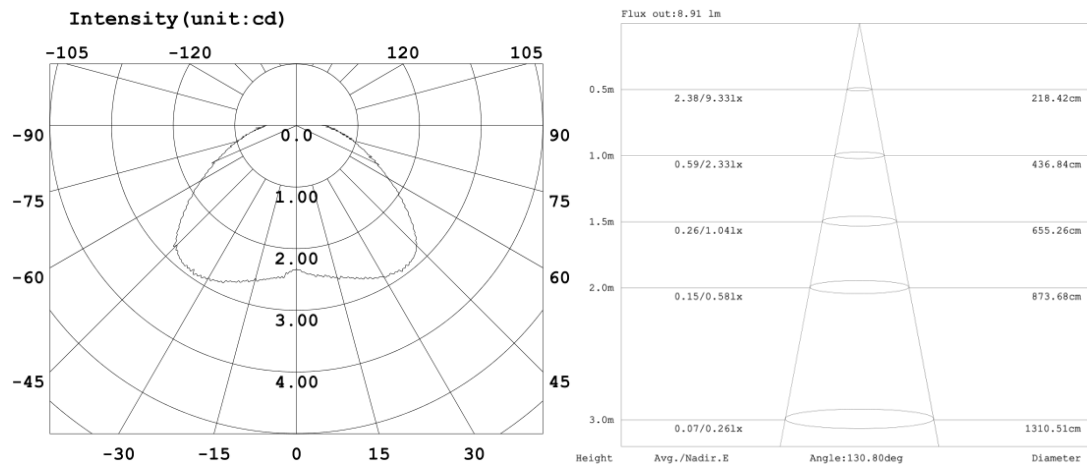
## Installation information

Area	Wall
Method	Recessed
Cut hole size	Φ45mm
Embedded height	/

## Technical general

System power	2.1W	
Flux	15lm	
Beam angle	L	
Material	Aluminum	
Appearance color	ABS	
Size	Φ50*36mm	
Adjustable angle	Not available	
Ingress protection	IP65	
Input voltage	100-240VAC	50/60Hz
Electrical level	Class II	

## Photometric graph



## Electrical parameters

Driver brand	ACTEC
Driver type	MINI350mA/4W
Electrical installation	External

---

## Light source parameters

Brand	CREE
Type	XPE2-W
Power	1.1W
Light color	WW
Color temperature	3000K
CRI	80

---

## Other options

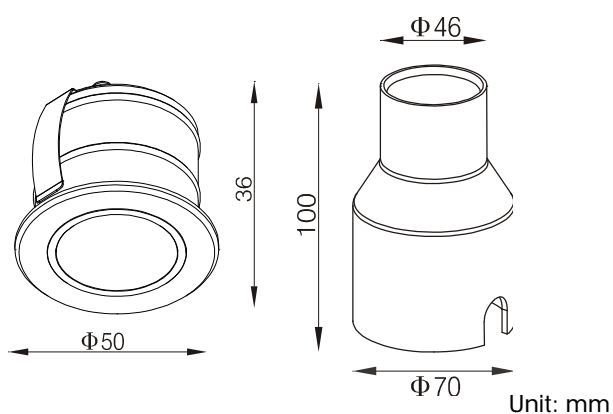
Beam angle	/
Color temperature	2700K 4000K
Color	/
Appearance color	WWH/WCF/WSG/PAW

---

## 3D module



## Line drawing



## Instructions

