

FLUA®



TONE IN AISI316



The unique design of the inner ring makes TONE to be soft and delicate. It can be used as stair lamp also night lamp. There are two kinds of materials: aluminum and stainless steel.

Designer	WU XIANG PIAO
Sales status	On Sale
Product classification	Interior
Model	413011A

WWW.FLUA.COM

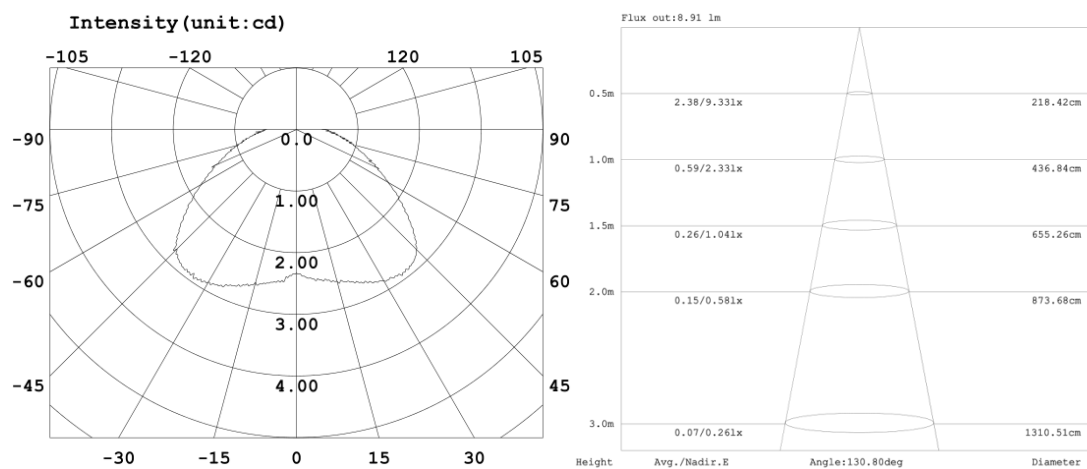
Installation information

Area	Wall
Method	Recessed
Cut hole size	Φ45mm
Embedded height	/

Technical general

System power	2.1W	
Flux	15lm	
Beam angle	L	
Material	SSS 316	
Appearance color	SSS	
Size	Φ50*36mm	
Adjustable angle	Not available	
Ingress protection	IP65	
Input voltage	100-240VAC	50/60Hz
Electrical level	Class II	

Photometric graph



Electrical parameters

Driver brand	ACTEC
Driver type	MINI350mA/4W
Electrical installation	External

Light source parameters

Brand	CREE
Type	XPE2-W
Power	1.1W
Light color	WW
Color temperature	3000K
CRI	80

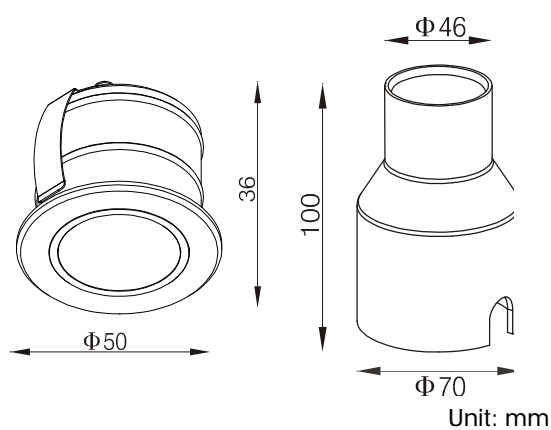
Other options

Beam angle	/
Color temperature	2700K 4000K 5000K
Color	/
Appearance color	/

3D module



Line drawing



Instructions

