

FLUA®



OTLY IN SQUARED



Simple minimal design of recessed bed side lighting. OTLY is available in round and square shape. Square version could be equipped with switch button.

Designer	FLUA
Sales status	On Sale
Product classification	Interior
Model	425217A

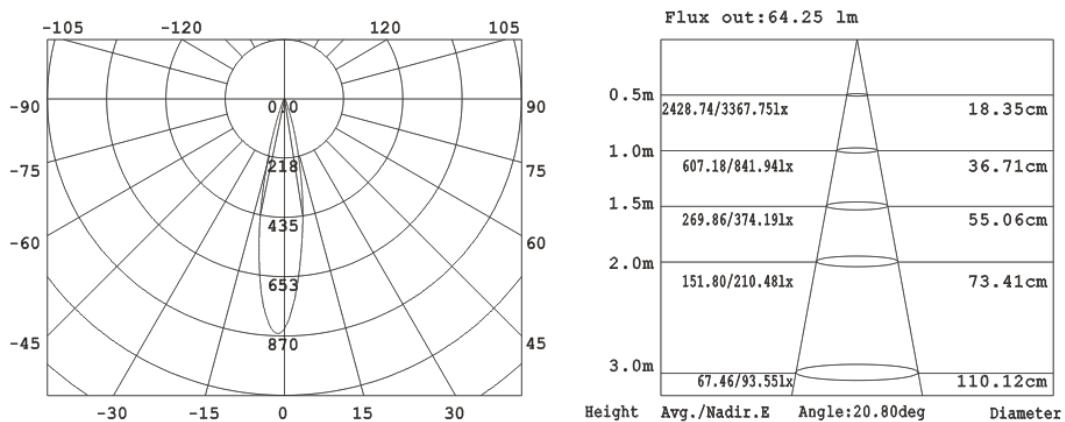
Installation information

Area	Wall
Method	Recessed
Cut hole size	95*95mm
Embedded height	/

Technical general

System power	4.5W	
Flux	144lm	
Beam angle	21°	
Material	Aluminum,	
Appearance color	PAW	
Size	91*91*90mm	
Adjustable angle	Available	
Ingress protection	IP20	
Input voltage	220-240VAC	50/60Hz
Electrical level	Class I	

Photometric graph



Electrical parameters

Driver brand	FLUA
Driver type	FLUA003H0700NCMA
Electrical installation	Build in

Light source parameters

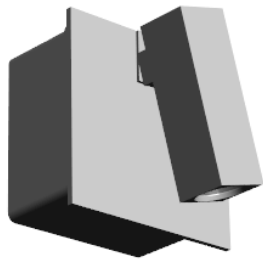
Brand	OSRAM
Type	GW CSHPM1.EM-KULQ
Power	2.2W
Light color	WW
Color temperature	3000K
CRI	80

Other options

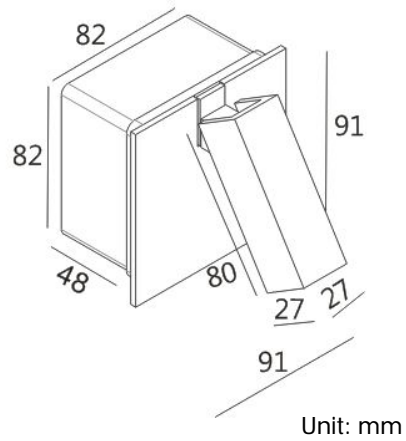
Beam angle	/
Color temperature	2700K 4000K
Color	/
Appearance color	PAB/PCS

FLUA®

3D module



Line drawing



Instructions

